

III. Part Number No	Description	Qty. Req.	Details
---------------------	-------------	-----------	---------

External Engine

A Brief History of the 'T' Type Engine

The new MG TA should have had a Wolseley overhead camshaft engine, but it was cheated of this power unit at the last moment by Leonard Lord. Rationalisation plans forced them to use the "new" version of the old side valve unit designed by Hotchkiss & Cie, destined for the Wolseley 10/40 saloon. The engine (coded MPJG) was modified further just in time for the release of the TA, using twin SU carbs, modified camshaft and exhaust manifold.

1939 saw the introduction of the MG TB with a 1250cc XPAG engine (from the new Morris 10 XPJM unit). This engine was used (with further modifications in 1951 for TDJ models) right up to the end of production of the TF model.

The 1500cc XPEG power unit (introduced in 1954, and running concurrently with the older XPAG engine) was the result of a major redevelopment of the XPASG unit and were mostly fitted to TF's that were destined for the American market.

(Note: although our supply of TA components is somewhat limited, if there is a specific component that you require that we have not illustrated/listed, please don't give up hope, for there are occasions when we hear of items (sometimes original) that suddenly become available, please contact your local Moss branch for latest information).

JR Supercharger Kit (See Accessories for full details)

NI 150-008	Supercharger Kit	1	All Models
------------	------------------	---	------------

Engine Mountings & Stabilisers

1	411-050	STABILISER LINK	1	
2	311-155	LOCK NUT, adjuster	2	
3	324-988	WASHER SET, control link, (4 washers)	1	
4	281-158	BUSH SET, control link, (4 bushes)	1	TD, TF
5	411-040	BRACKET, control link	1	
6	411-060	BRACKET, engine control, on chassis	1	
7	410-010	ENGINE MOUNTING, front	2	
8	320-920	BOLT, engine mounting	2	
9	410-030	WASHER, engine mounting	2	
10	410-020	REBOUND RUBBER	2	TA, TB, TC
11	324-490	WASHER, rebound rubber	2	
12	311-530	SLEEVE NUT, engine mounting	2	
13	AJD8105Z	LOCK NUT, sleeve nut	2	
14	411-010	ENGINE MOUNTING, front	1	
15	320-560	BOLT, front engine mounting	2	TD & TF
16	AJD8106Z	NUT, mounting bolt	2	
17	AJD8106Z	NUT, front engine mounting	2	

III. Part Number No	Description	Qty. Req.	Details
---------------------	-------------	-----------	---------

18	433-635	ENGINE PLATE	1	TB, TC
	433-645	ENGINE PLATE	1	TD, TF
19		COVER, timing chain	1	TB, TC, TD, TF
20	291-600	GASKET, timing chain cover	1	
21	320-300	MEDIUM BOLT, timing cover	3	
22	320-310	LONG BOLT, timing cover	2	
23	320-260	SHORT BOLT, timing cover	2	
24	433-590	TDC INDICATOR	1	TB, TC, TD, TF
25	291-700	UPPER SEAL, front crankshaft	1	
26	291-100	LOWER SEAL, front crankshaft	1	
NI	120-750*	OIL SEAL (Up-rated), front crankshaft	1	
*Modern (easy fit) lip-type to replace items. 25 & 26.				
These lip-type seals replace the original leak-prone impregnated rope seals which are no longer available. The modern seal fits into the original recess and glued in place with silicone gasket cement (part no. GAC8000).				
NI	433-415*	OIL SEAL ASSEMBLY (Modified), rear	1	
NI	433-420	OIL SEAL only (replacement)	1	
*Our Modified oil seal assembly replaces items; 27, 28, 29 & 30.				
NI	433-425**	'SPEEDY SLEEVE'	1	
**Our 'Speedy Sleeve' compensates for wear and/or corrosion on the flywheel flange.				
27	291-200	SEAL, rear crankshaft	1	
28	433-410	OIL THROWER, rear upper main	1	
29	291-900	GASKET, rear oil thrower	1	
30	320-130	BOLT, rear oil thrower	3	
31	AAA5659X	GASKET SET, sump, (2 pieces)	1	
32	320-265	BOLT, front sump	2	
33	320-270	BOLT, centre sump	10	
34	320-290	BOLT, rear sump	2	TB, TC, TD, TF
35	328-120	PLUG, oil drain	1	
36	6K431B	WASHER, oil drain plug	1	
37	328-100	PLUG, oil feed hole	5	
38	328-070	PLUG, oil by-pass hole	1	
	328-020	PLUG, front oil gallery	1	
	328-030	PLUG, rear oil gallery	1	
41	AAA5561	CORE PLUG, large	2	
42	319-050	CORE PLUG, small	7	TA
	CA1056	CORE PLUG, small	6	TB, TC, TD, TF
	433-530	LOCK BOLT, distributor	1	TB, TC, TD to (c)20941
43	433-540	COTTER CLAMP BOLT, distributor	1	TD from (c)20942, TF
44	AJD8104	NUT, distributor clamp bolt	1	
	163-710	CLAMP PLATE ASSEMBLY, distributor	1	TD to (c)20941

Ill. No	Part Number	Description	Qty. Req.	Details
46	433-650	ADJUSTING LINK, dynamo	1	
47	320-260	BOLT, adjusting link	1	
48	322-510	BOLT, dynamo	1	
49	320-290	BOLT, dynamo	2	TB, TC, TD, TF
50	433-640	BRACKET, rear dynamo mounting	1	
51	320-260	BOLT, rear dynamo bracket	2	
52	311-100	NUT, dynamo bolt	2	
53	320-260	BOLT, bearer plate to block	2	
54	291-800	GASKET, bearer plate	1	
56	224-240	COVER, tappet, cast aluminium	1	
57	290-610	GASKET, tappet inspection cover	1	TA
	290-600	GASKET, tappet inspection cover	1	TB, TC, TD, TF
58	328-710	STUD, tappet cover	3	
59	433-340	NUT, tappet cover	3	TB, TC, TD, TF
60	WF509	WASHER, tappet cover	3	
61	451-150	BREATHER PIPE, tappet cover	1	TB, TC
	451-160	BREATHER PIPE, tappet cover	1	TD, TF
62	433-800	UPPER CLAMP, breather pipe	1	
63	320-200	BOLT, upper clamp	1	
64	AJD8104	NUT, upper clamp	1	TB, TC, TD, TF
65	433-620	LOWER CLAMP, breather pipe	1	
66	AJD6155Z	BOLT, lower clamp	1	
67	AJD8104	NUT, lower clamp	1	
69	372-610	CLIP, carburettor overflow pipe	1	
70		ROCKER COVER, cast aluminium (includes filler cap)	1	See accessories
71	290-310	GASKET, rocker cover (rubberised cork)	1	TA
	290-300	GASKET, rocker cover (rubberised cork)	1	TB, TC, TD, TF
72	328-770	STUD, rocker cover	2	
73	433-560	BAKELITE THUMB NUT	2	
74	324-610	WASHER, rocker cover nut	2	
75	433-490	FILLER CAP, oil, (original cover only)	1	TB, TC, TD, TF
76	433-310	COVER PLATE, rear head	1	
77	290-800	GASKET, rear cover plate	1	
78	323-180	SCREW, rear cover plate	4	
79	290-010	GASKET, cylinder head	1	TA
	290-000	GASKET, cylinder head (elongated water holes)	1	1250cc to (e)22734
	290-100	GASKET, cylinder head (round water holes)	1	1250cc from (e)22735
	290-200	GASKET, cylinder head	1	1500cc engines
NI	328-781	STUD, cylinder head (long)	4	TA
NI	328-782	STUD, cylinder head (short)	7	
80	328-780	STUD, cylinder head	10	
81	311-200	NUT, cylinder head stud	10	
82	328-750	STUD, water pump mounting	2	
83	311-100	NUT, water pump stud	2	
84	320-290	BOLT, water pump mounting	2	TB, TC, TD, TF
85	434-240	TAP, water drain, in block	1	
86	WF509	WASHER, water drain tap	1	
87	408-770	'ID' TAG, blank, engine	1	
88	408-850	BRASS BUTTON, ID tag, (TC style)	1	
89	FAS2	RIVET, engine ID tag	1	
90		ENGINE SPRAY PAINT, 12 oz. can	a/r	see Accessories
92	290-410	GASKET, manifold	1	TA
	290-400	GASKET, manifold	1	TB, TC, TD, TF
93	318-000	STUD, manifold	8	TA
	328-760	STUD, manifold	4	TB, TC, TD, TF
94	433-630	CLAMP, manifold	4	
95	311-100	NUT, manifold clamp	8	TA
	311-100	NUT, manifold clamp	8	TB, TC, TD, TF
96	328-828	STUD SET, exhaust flange, (3 studs)	1	TA, TB, TC
	328-808	STUD SET, exhaust flange, (3 studs)	1	TD, TF
97	311-768	NUT SET, exhaust flange, (3 nuts)	1	
	320-510	BOLT, carb. to manifold	4	TA, TB, TC, TD
98	328-810	STUD, carb. to manifold	4	
99	311-210	NUT, carb. to manifold stud	4	TF
100	AHH5713	SPACER, carb. to manifold	2	
	1G2624	GASKET, carb. to manifold	2	TA, TB, TC, TD (1 1/4")
	AH551	GASKET, carb. to manifold	4	TD MKII (1 1/2"), TF
101		BODY, oil pump	1	TB, TC
		BODY, oil pump	1	TD to (e)14223
		BODY, oil pump	1	TD from (e)14224, TF

Ill. No	Part Number	Description	Qty. Req.	Details
102		CAP, oil pump	1	TB, TC
		CAP, oil pump	1	TD to (e)14223
	435-050	CAP, oil pump	1	TD from (e)14224, TF
	435-088	REBUILD KIT*, oil pump	1	
		*See note at bottom of page		
103	435-128	GEAR SET, oil pump, (2 gears)	1	
104	330-318	BUSH SET, driving gear & housing	1	TB, TC, TD, TF
105	327-050	KEY, driving gear	1	
106	326-010	CIRCLIP, driving gear	1	
107	435-090	SHAFT & GEAR	1	
108	435-130	SHAFT, driven gear	1	
109	292-300	GASKET, oil pump to block	1	All models
110	320-160	BOLT, short	4	TB, TC, TD to (e)14223
			2	TD from (e)14224, TF
	320-165	BOLT, medium	2	TB, TC, TD to (e)14223
			4	TD from (e)14224, TF
	320-170	BOLT, long	2	TB, TC, TD, TF
113	324-978	WASHER SET, copper, (8 washers)	1	All models
114	435-170	GUIDE, relief valve ball	1	TB, TC, TD, TF
115	329-530	BALL, relief valve	1	
116	329-080	SPRING, relief valve	1	TB, TC, TD, TF
117	435-180	CAP, relief valve	1	
118	324-790	WASHER, relief valve cap	1	
119	329-090	SPRING, by-pass	1	
120	329-530	BALL, by-pass	1	with separate filter
121	435-200	BALL GUIDE	1	TB, TC, TD to (e)14223
122	435-190	BALL SET	1	
123	435-060	VALVE, by-pass	1	fitted in late pump
124	291-500	GASKET, oil screen	1	TD from (e)15372, TF
	291-300	GASKET, oil pick-up	1	TB, TC, TD to (e)15371
125	291-400	GASKET, oil pick-up	1	TD from (e)15372, TF
126	320-150	BOLT, oil pick-up to sump	a/r	TB, TC, TD, TF
128	435-360	OIL FILTER ASSEMBLY, throw-away	1	
	435-385	*OIL FILTER ASSEMBLY, steel unit (with renewable element)	1	TB, TC, TD to (e)14223
	435-395	ELEMENT, (for 435-385 assembly)	1	
129	435-310	FILTER STRAP ASSEMBLY	1	TB, TC
	435-430	FILTER STRAP ASSEMBLY	1	TD to (e)14223
130	435-370	ELEMENT, oil filter	1	TA
131	435-140	ADAPTOR, filter bolt to pump	1	
132	8G683	ELEMENT, oil filter, felt	1	TD from (e)14224 & TF
133	8G619	SEALING RING, oil filter	1	
134	7H1948	SEAL, bolt	1	
	321-018	BOLT SET, oil pump flange, 2 bolts	1	TB, TC
	435-440	OIL PIPE, pump to filter	1	
135	435-450	OIL PIPE, pump to filter	1	TD to (e)14223
136	435-460	OIL PIPE, filter to block	1	TB, TC, TD to
137	435-480	BANJO BOLT, oil pipe (TB, TC uses 3)	3/4	(e) 14223
138	324-958	WASHER SET, copper (6 washers)	1	TB, TC
	324-968	WASHER SET, copper (8 washers)	1	TD to (e)14223
139	435-510	OIL PIPE, head to block	1	TB, TC, TD to (e) 9407
	435-520	OIL PIPE, head to block	1	TD from (e) 9408, TF
140	435-465	BANJO BOLT, round	1	TB, TC, TD to (e) 9407
	435-490	BANJO BOLT, hexagon	2	TD from (e) 9408, TF
141	435-500	BANJO BOLT, (with flex pipe adaptor)	1	TB, TC, TD to (e) 9407
143	324-760	WASHER, banjo bolt	4	
144	AAA627	OIL PIPE, flexible (to bulkhead fitting)	1	TB, TC, TD, TF
145	AAA628	FITTING, oil pipe	1	
146	435-528	OIL PIPE, block to gauge	1	TA
	AHH5323	OIL PIPE, fitting to gauge	1	TB, TC, TD, TF
147	2K4936	WASHER, leather	1	
148	433-830	DIPSTICK	1	TB, TC
	433-820	DIPSTICK	1	TD, TF
149	325-318	DOWEL SET, bell housing	1	
150	454-305	EXHAUST MANIFOLD	1	
151	373-360**	INLET MANIFOLD (1 1/4")	1	TB, TC, TD

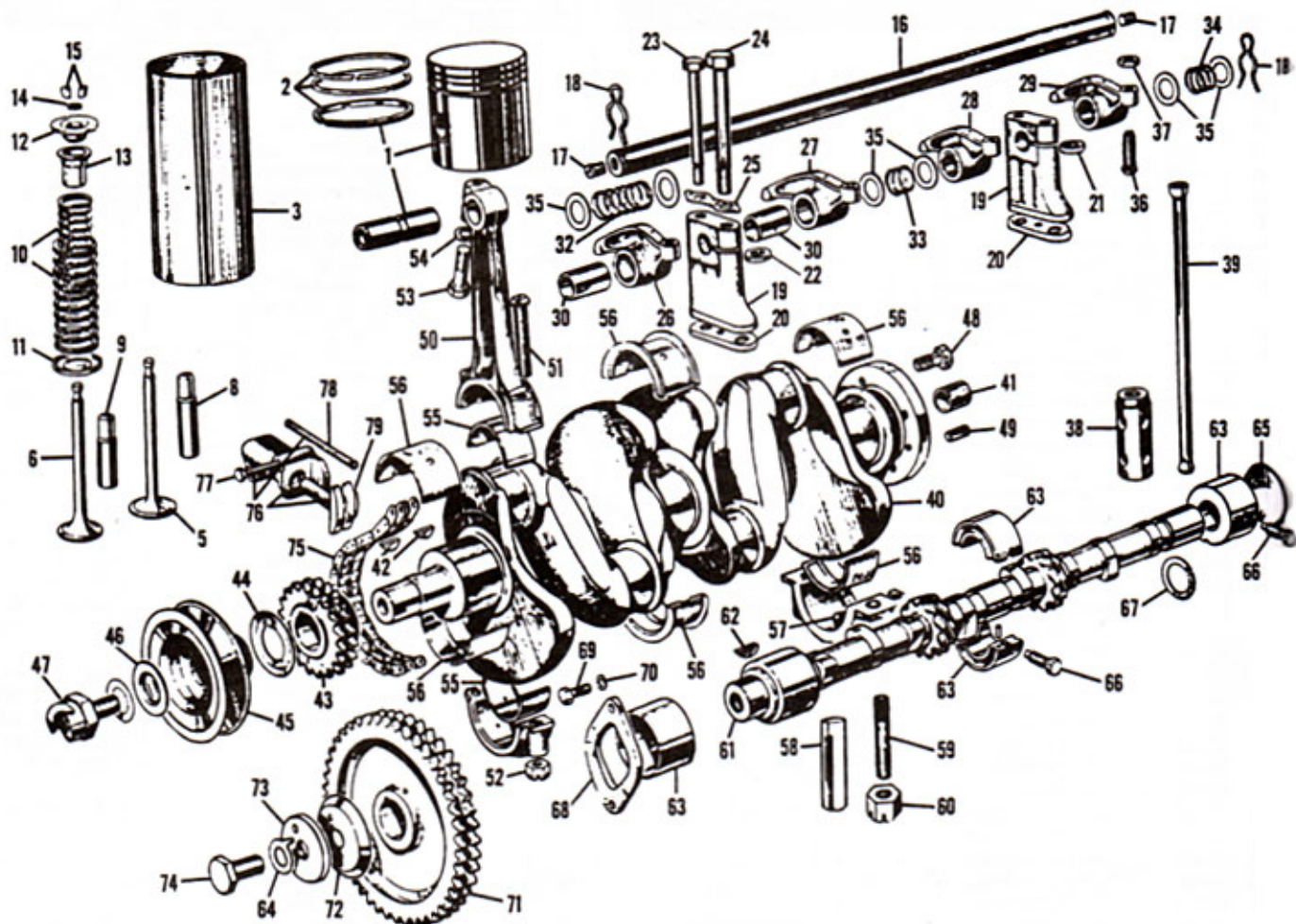
**Note: Can be used on TD MKII & TF if the inlet ports are bored to 1 1/2".

Cylinder Head Depth

Original 1250 or 1500 cylinder heads had a thickness of 3.022", but over the years, many have been excessively machined, causing problems with detonation and/or overheating. Two head gaskets can be fitted, which will increase the effective cylinder head thickness by approximately 0.045".

Rebuilding T Type Oil Pumps

Most T Type oil pumps can be rebuilt to like-new condition, but care must be exercised that proper gear end float clearances are obtained. Specifications are listed in the workshop manuals and the machine work can be entrusted to your local (& competent) machine shop.



III. Part Number No	Description	Qty. Req.	Details
---------------------	-------------	-----------	---------

Internal Engine

See also Performance & Tuning in Accessories

Pistons / Rings / Valves

We are pleased to offer a complete range of Aerolite brand pistons. These high quality pistons are manufactured to the original solid skirt 3-ring design, but incorporate the very latest in high strength, high silicon content aluminium alloy. All pistons are produced in permanent steel moulds for maximum strength yet light weight.

1	420-018	PISTON SET, standard	1	
	420-038	PISTON SET, 0.020"	1	
	420-048	PISTON SET, 0.030"	1	
	420-058	PISTON SET, 0.040"	1	TB, TC, TD, TF,
	420-068	PISTON SET, 0.060"	1	1250cc engines
	420-078	PISTON SET, 0.080"	1	
	420-088	PISTON SET, 0.100"	1	
	420-098	PISTON SET, 0.120"	1	
	420-218	PISTON SET, std.	1	
	420-238	PISTON SET, 0.020"	1	
	420-248	PISTON SET, 0.030"	1	TF, 1500cc engines
	420-258	PISTON SET, 0.040"	1	
	420-268	PISTON SET, 0.060"	1	
2	421-010	RING SET, std.	1	
	421-020	RING SET, 0.020"	1	
	421-030	RING SET, 0.030"	1	(3 ring Mowog & Aerolite pistons) 1250cc engines
	421-040	RING SET, 0.040"	1	
	421-050	RING SET, 0.060"	1	
	421-060	RING SET, std.	1	
	421-070	RING SET, 0.020"	1	
	421-080	RING SET, 0.030"	1	(most 4-ring & Aerolite .080" pistons) 1250cc engines
	421-090	RING SET, 0.040"	1	
	421-100	RING SET, 0.060"	1	
	421-110	RING SET, 0.080"	1	

III. Part Number No	Description	Qty. Req.	Details
---------------------	-------------	-----------	---------

	421-120"	RING SET, 0.100"	1	(Aerolite & AE no. 12387 pistons) 1250cc engines
	421-130"	RING SET, 0.120"	1	
	421-190	RING SET, std.	1	
	421-200	RING SET, 0.020"	1	(all 3-ring & 4-ring pistons)
	421-210	RING SET, 0.030"	1	
	421-220	RING SET, 0.040"	1	1500cc engines
	421-230	RING SET, 0.060"	1	
*Note: These numbers are found stamped in the crowns of certain after-market pistons, and fit those pistons. We do not stock rings for other after-market pistons.				
3	426-010	CYLINDER LINER, (sleeve)	4	1250cc engines
	426-030	CYLINDER LINER, (sleeve)	4	1500cc engines
5	PWT892A	VALVE, inlet	4	TA
	423-010	VALVE, inlet, 1 1/16" diameter	4	TB, TC, TD
	423-030	VALVE, inlet, 1 1/16" diameter	4	TD MKII, TF
6	PWT893A	VALVE, exhaust	4	TA
	423-020	VALVE, exhaust, 1 1/16" diameter	4	TB, TC, TD
	423-040	VALVE, exhaust, 1 1/16" diameter	4	TD MKII, TF
	423-025	EXHAUST VALVE, stellite faced	4	TB, TC, TD
	423-045	EXHAUST VALVE, stellite faced	4	TD MKII, TF
8	PWT891TA	GUIDE, inlet	4	TA
	P100	GUIDE, inlet	4	TB, TC, TD, TF
	423-215**	SILICON BRONZE VALVE GUIDE, inlet	4	
9	PWT891TA	GUIDE, inlet	4	TA
	P101	GUIDE, exhaust	4	TB, TC, TD, TF
	423-225**	SILICON BRONZE VALVE GUIDE, exh	4	
**Note: The low friction and high strength characteristics of silicon bronze means much less guide and valve stem wear than standard guides.				
10	PWT895	VALVE SPRING SET	1	TA
	423-410	VALVE SPRING SET	1	
11	433-030	SPRING WASHER, bottom	8	
12	433-010	SPRING WASHER, top	8	TB, TC, TD, TF
13	1H725	OIL DEFLECTOR, valve	8	
14	297-108	OIL SEAL SET, valve stem, (8 seals)	1	
15	433-040	VALVE COTTER, (pair)	8	

Ill. No	Part Number	Description	Qty. Req.	Details
---------	-------------	-------------	-----------	---------

Unleaded Petrol and Your Valves

Today's unleaded fuel does not protect original style valves & valve seats against valve seat recession. We strongly recommend our Stellite-faced exhaust valves and silicone bronze valve guides. A full & permanent conversion to lead-free operation would also include fitting hardened exhaust valve seats. However, since valve seat inserts could conceivably loosen and fall out, causing considerable damage, we only recommend that these be fitted when inserts are also required to repair existing serious valve seat wear.

16	451-170	SHAFT, rocker arm, 14" long	1	TB, TC, TD to (e)9007
	451-180	SHAFT, rocker arm, 14 7/8" long	1	TD from (e)9008, TF
17	328-010	PLUG, rocker shaft end	2	
18	326-110	CLIP, rocker shaft	2	
19	433-060	ROCKER PEDESTAL	4	
20	433-128	SHIM SET, (4 shims), use with milled head	1	TB, TC, TD, TF
21	433-080	SPACER WASHER, for no. 2 & 3 brackets, 'D' shaped	2	
22	433-070	SPACER WASHER, for no. 1 & 4 brackets, round	2	
23	320-330	BOLT, rocker bracket	8	TA
		8mm, 3 1/8" long	4	TB, TC, TD, TF
24	320-530	BOLT, rocker bracket	4	TB, TC, TD, TF
		10mm, 3 1/2" long		
25	433-108	LOCKPLATE SET, (4 lock plates)	1	TB, TC, TD, TF
26	433-150	ROCKER, number 1 and 5 valve	2	TB, TC, TD to (e)9007
	433-160	ROCKER, number 1 and 5 valve	2	TD from (e)9008, TF
27	433-170	ROCKER, number 2 and 6 valve	2	TB, TC, TD, TF
28	433-180	ROCKER, number 3 and 7 valve	2	
29	433-130	ROCKER, number 4 and 8 valve	2	TB, TC, TD to (e)9007
	433-140	ROCKER, number 4 and 8 valve	2	TD from (e)9008, TF
30	330-080	BUSH, rocker, short	4	TB, TC, TD to (e)9007
	330-090	BUSH, rocker, long	4	used on 14" shaft
	330-090	BUSH, rocker, long	8	TD from (e)9008, TF
32	329-360	SPACER SPRING, centre, long	1	TB, TC, TD to (e)9007
	329-160	SPACER SPRING, centre	1	TD from (e)9008, TF
33	329-160	SPACER SPRING, intermediate	2	TB, TC, TD to (e)9007
	329-150	SPACER SPRING (for front, intermediate & rear)	4	TD from (e)9008, TF
34	329-150	SPACER SPRING, front & rear	2	TB, TC, TD to (e)9007
35	324-420	WASHER, spacer spring	2	TB, TC, TD to (e)9007
			10	TD from (e)9008, TF
36	433-200	ADJUSTING SCREW, rocker	8	TA, TB, TC, TD to (e)17297
	433-210	ADJUSTING SCREW, rocker	8	TD from (e)17298, TF
37	311-110	NUT, rocker adjusting screw	8	all models
38	AE6127	CAM FOLLOWER	8	TB, TC, TD, TF
39	433-330	PUSH ROD	8	

Crankshaft

40	AAA3105	CRANKSHAFT, (forged in '4340 Chrome-Moly' Steel)	1	
41	330-040	BUSH, spigot	1	
42	327-050	KEY, crankshaft	2	
	433-448	SPROCKET SET (inc. items 43, 71 & 75)	1	TB, TC, TD, TF
43	AAA5664	SPROCKET, crankshaft	1	TB, TC, TD, TF
44	433-480	OIL THROWER, crankshaft	1	
45	433-470	PULLEY, crankshaft	1	
46	433-460	WASHER, crankshaft pulley	1	
47	433-450	BOLT, crankshaft	1	
48	320-524	BOLT, flywheel to crank	4	
49	325-328	DOWEL SET, crankshaft, (2 pins)	1	
NI	P162	RING GEAR*	1	TB, TC
	P163	RING GEAR*, 10 1/8" ID	1	TD to (e)9407
	P164	RING GEAR*, 10 1/4" ID	1	TD from (e)9408, TF

*Please refer to page 44 (Clutch System) for illustration.

50	433-780	CONNECTING ROD	4	1250cc engines
	433-790	CONNECTING ROD	4	1500cc engines
51	320-885	BOLT, connecting rod	8	TA
	320-880	BOLT, connecting rod	8	TB, TC, TD, TF
	321-268	BOLT & NUT SET (con' rod) (Contains 8 bolts and 8 nuts)	1	TB, TC, TD, TF
52	311-085	NUT, connecting rod	8	TA
	311-080	NUT, connecting rod	8	TB, TC, TD, TF
	321-268	BOLT & NUT SET (con' rod) (Contains 8 bolts and 8 nuts)	1	TB, TC, TD, TF
53	320-890	CLAMP BOLT, gudgeon pin	4	All
54	GHF332	WASHER, clamp bolt	4	Models

Ill. No	Part Number	Description	Qty. Req.	Details
---------	-------------	-------------	-----------	---------

Con Rod & Main Bearings

55	424-000	CON ROD BEARING SET, std.	1	
	424-100	CON ROD BEARING SET, 0.010"	1	
	424-150	CON ROD BEARING SET, 0.020"	1	
	424-200	CON ROD BEARING SET, 0.030"	1	
	424-250	CON ROD BEARING SET, 0.040"	1	
	424-300	CON ROD BEARING SET, 0.050"	1	TB, TC, TD, TF
	424-350	CON ROD BEARING SET, 0.060"	1	
56	424-650	MAIN BEARING SET, std.	1	
	424-750	MAIN BEARING SET, 0.010"	1	
	424-800	MAIN BEARING SET, 0.020"	1	
	424-850	MAIN BEARING SET, 0.030"	1	
	424-900	MAIN BEARING SET, 0.040"	1	
	424-905	MAIN BEARING SET, 0.050"	1	
	424-910	MAIN BEARING SET, 0.060"	1	
57	325-050	DOWEL PIN, main bearing insert	6	
58	433-600	PIPE, main bearing cap	1	TB, TC, TD, TF
59	328-830	STUD, main bearing cap	6	
60	311-270	NUT, main bearing cap stud	6	all models
61	451-260	CAMSHAFT, standard grind	1	
	451-270	CAMSHAFT, 3/4 grind	1	TB, TC, TD, TF
62	327-050	KEY, camshaft sprocket	1	
63	424-968	CAM BEARING SET	1	

New front cam bearings must be fitted each time the cylinder block is hot-tanked, as the caustic solution will destroy the thin wall bearing shell. New front cam bearings must be line-reamed after installation. This procedure must be entrusted to a competent automotive machine shop.

64	433-370	TAB WASHER, cam sprocket	1	
65	328-240	CORE PLUG, in block	1	
66	320-900	BOLT, centre & rear cam bearing	2	
67	326-060	DIRCLIP, rear camshaft	1	
68	433-400	THRUST PLATE, camshaft	1	
69	320-130	BOLT, cam thrust plate	2	
70	GHF331	WASHER, thrust plate bolt	2	TB, TC, TD, TF
	433-448	SPROCKET SET, (inc. items 43, 71 & 75)	1	
71	AAA5666	SPROCKET, camshaft	1	
72	433-390	OIL THROWER, camshaft	1	
73	433-380	WASHER, camshaft sprocket	1	
74	320-670	BOLT, camshaft	1	
75	433-565	TIMING CHAIN	1	TA
	433-580	TIMING CHAIN	1	TB, TC, TD, TF
76	433-578	TENSIONER ASSEMBLY, timing chain	1	
77	320-150	BOLT, timing chain tensioner	2	TB, TC, TD, TF
78	329-370	SPRING, chain tensioner	1	
79	433-570	FOOT, timing chain tensioner	1	

Gasket Sets & Lead Substitute

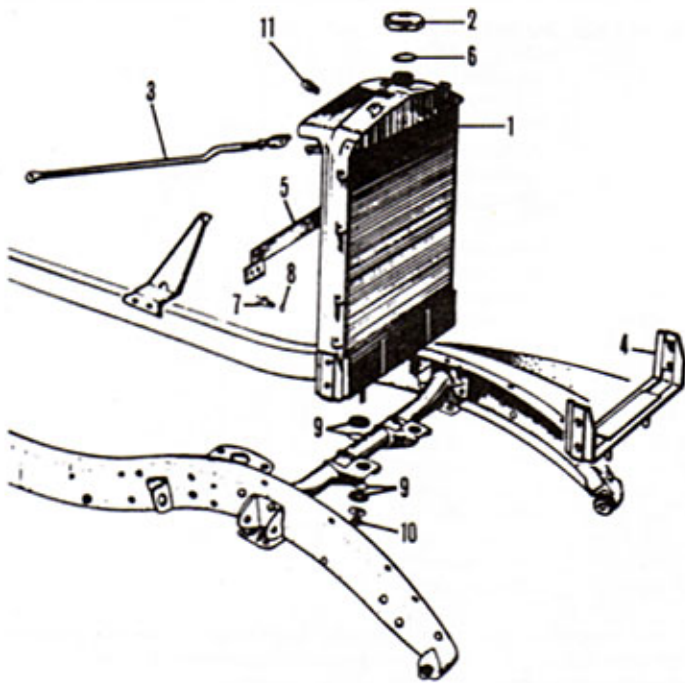
297-708	ENGINE GASKET SET, complete	1	1250cc to (e)22734
297-808	ENGINE GASKET SET, complete	1	1250cc from (e)22735
297-908	ENGINE GASKET SET, complete	1	1500cc engines
297-218	HEAD GASKET SET	1	TA
G100	HEAD GASKET SET	1	1250cc to (e)22734
G102	HEAD GASKET SET	1	1250cc from (e)22735
297-408	HEAD GASKET SET	1	1500cc engines
297-228	CONVERSION SET	1	TA
297-238	CONVERSION SET	1	
AAA5659X	SUMP GASKET SET	1	TB, TC, TD, TF
GGC102	GASKET SEALANT (Hylomar)	a/r	

GAC806 SUPERBLEND, Lead Substitute (500ml) a/r allows you to use unleaded fuel, safely
(Endorsed by the 'Federation of Historic Vehicle Clubs')

Oil Cooler Kits

The TB, TC and early TD kits are for early vertically-mounted oil filter applications. The connecting pipe (see External Engine on page 38/39 - item No 136) is eliminated and oil pipes are connected directly to block and filter. Late style kits incorporate a cast aluminium 'sandwich' plate to fit between the oil pump and filter canister. Oil coolers are normally mounted below the splash apron. Oil coolers are not included with the installation kits and must be purchased separately.

MM235-935	OIL COOLER INSTALLATION KIT	1	TB, TC, TD to (e)14223
MM235-945	OIL COOLER INSTALLATION KIT	1	TD from (e)14224, TF
AR09807	OIL COOLER, 10 row	1	
ARA221	OIL COOLER, 13 row	1	

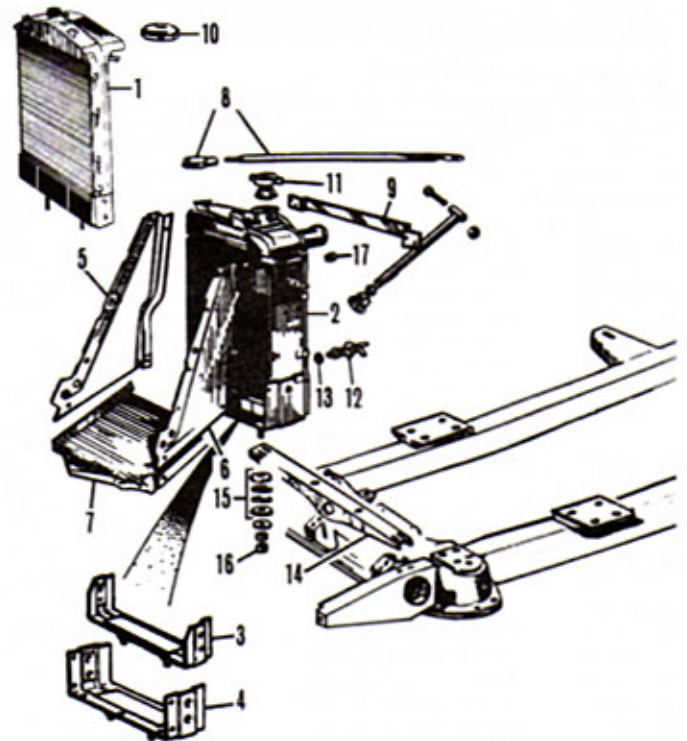


Ill. No	Part Number	Description	Qty. Req.	Details
---------	-------------	-------------	-----------	---------

Radiator & Fittings- TA, TB & TC

See also Accessories

1	453-980	RADIATOR, (Brand New)	1	TB, TC
2	202-010	RADIATOR CAP, chrome	1	
NI	386-260	SPANNER, (radiator cap)	1	
3	451-760	STAY BAR, RH radiator, cranked	1	
	451-770	STAY BAR, LH radiator, straight	1	
4	454-135	MOUNTING BRACKET	1	radiator to chassis
5	451-100	TIE BRACKET, headlamp mounting	1	
6	280-020	SEAL, radiator cap	1	
7	3H576	DRAIN TAP, radiator	1	
8	2K4975	FIBRE WASHER, drain tap	1	
9	281-648	MOUNTING SET, radiator	1	(8 pieces, includes steel rings)
10	AJD8106Z	NUT, radiator mounting	4	
11	361-050	ADAPTOR, temperature gauge pipe	a/r	male/female
	361-060	ADAPTOR, to radiator	a/r	male/male



Ill. No	Part Number	Description	Qty. Req.	Details
---------	-------------	-------------	-----------	---------

Radiator & Fittings- TD & TF

See also Accessories

1	453-980	RADIATOR	1	TD
2	453-820	RADIATOR (Please enquire)	1	TF
3	454-135	MOUNTING BRACKET	1	TD, radiator to chassis
4	449-590	MOUNTING BRACKET	1	TF, radiator to chassis
5	454-130	SIDE PLATE, RH radiator	1	
6	454-125	SIDE PLATE, LH radiator	1	TF
7	452-720	BOTTOM PLATE, radiator	1	
8	451-700	STAY BAR, radiator	2	
9	451-100	TIE BRACKET, headlamp mounting	1	TD
10	202-010	RADIATOR CAP (Chrome)	1	TD
11	GRC103	RADIATOR CAP, 4lb, std	1	TF
	GRC101	RADIATOR CAP, 7lb	1	
12	3H576	DRAIN TAP, radiator	1	
13	2K4975	FIBRE WASHER, drain tap	1	
14	451-200	BRACKET, radiator mounting	1	between chassis rails
15	281-648	MOUNTING SET, radiator	1	(8 pieces, includes steel rings)
16	AJD8106Z	NUT, radiator mounting	4	
17	361-050	ADAPTOR, temperature gauge pipe	a/r	male/female
	361-060	ADAPTOR, to radiator	a/r	male/male

Oil Cooler Kits

See also notes bottom of page 41 & Accessories

The TB, TC and early TD kits are for early vertically-mounted oil filter applications.

The connecting pipe (435-460)

is eliminated and oil pipes

are connected directly to block

and filter. Late style kits incorporate

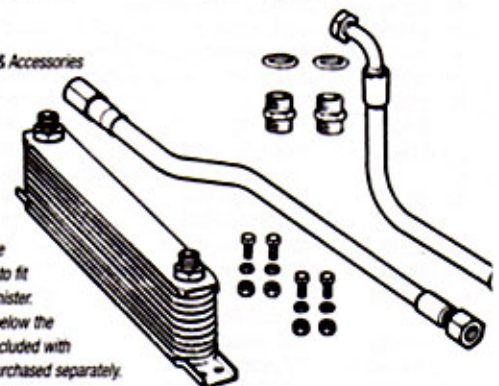
a cast aluminium "sandwich" plate to fit

between the oil pump and filter canister.

Oil coolers are normally mounted below the

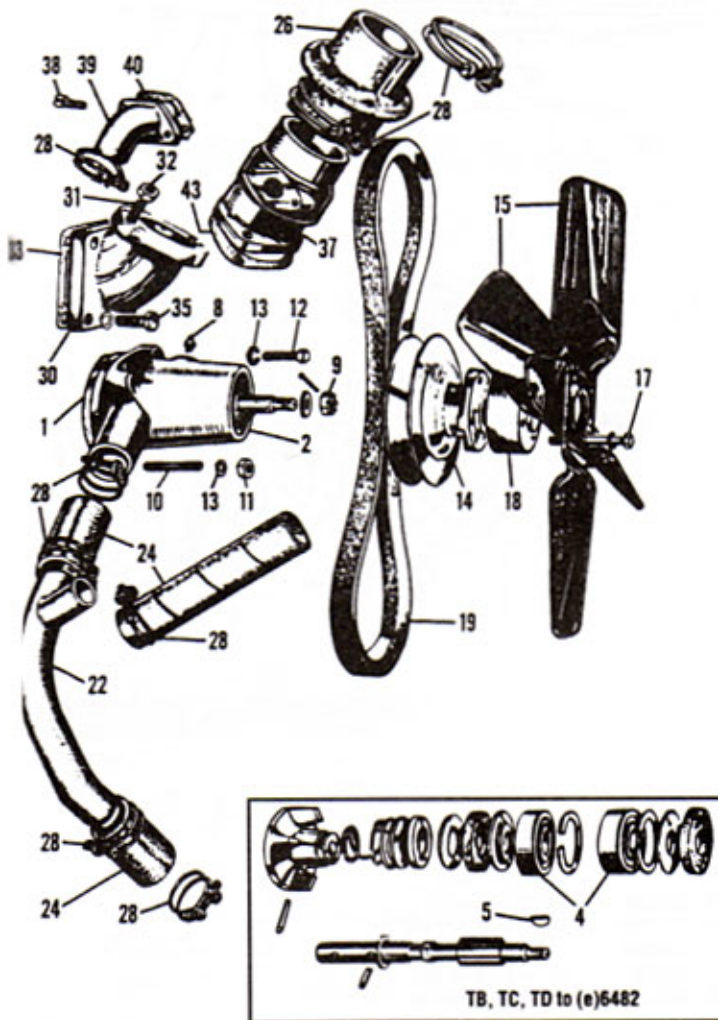
splash apron. Oil coolers are not included with

the installation kits and must be purchased separately.

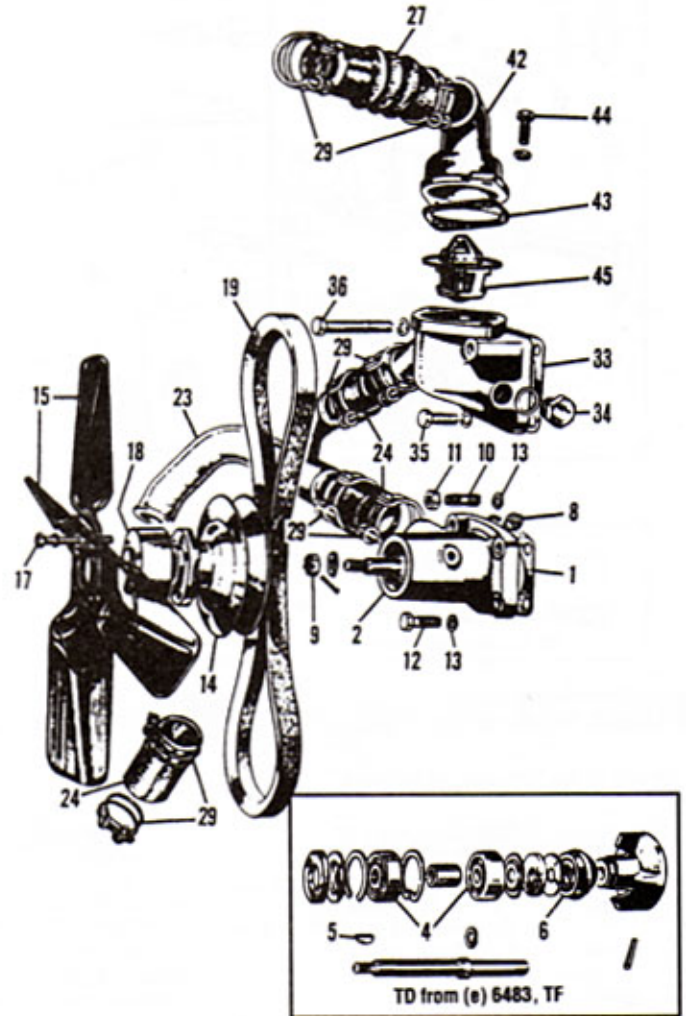


MM235-935	OIL COOLER INSTALLATION KIT	1	TB, TC, TD to (e)14223
MM235-945	OIL COOLER INSTALLATION KIT	1	TD from (e)14224, TF
ARO9807	OIL COOLER, 10 row	1	
ARA221	OIL COOLER, 13 row	1	

TB, TC & TD Models



TF Models



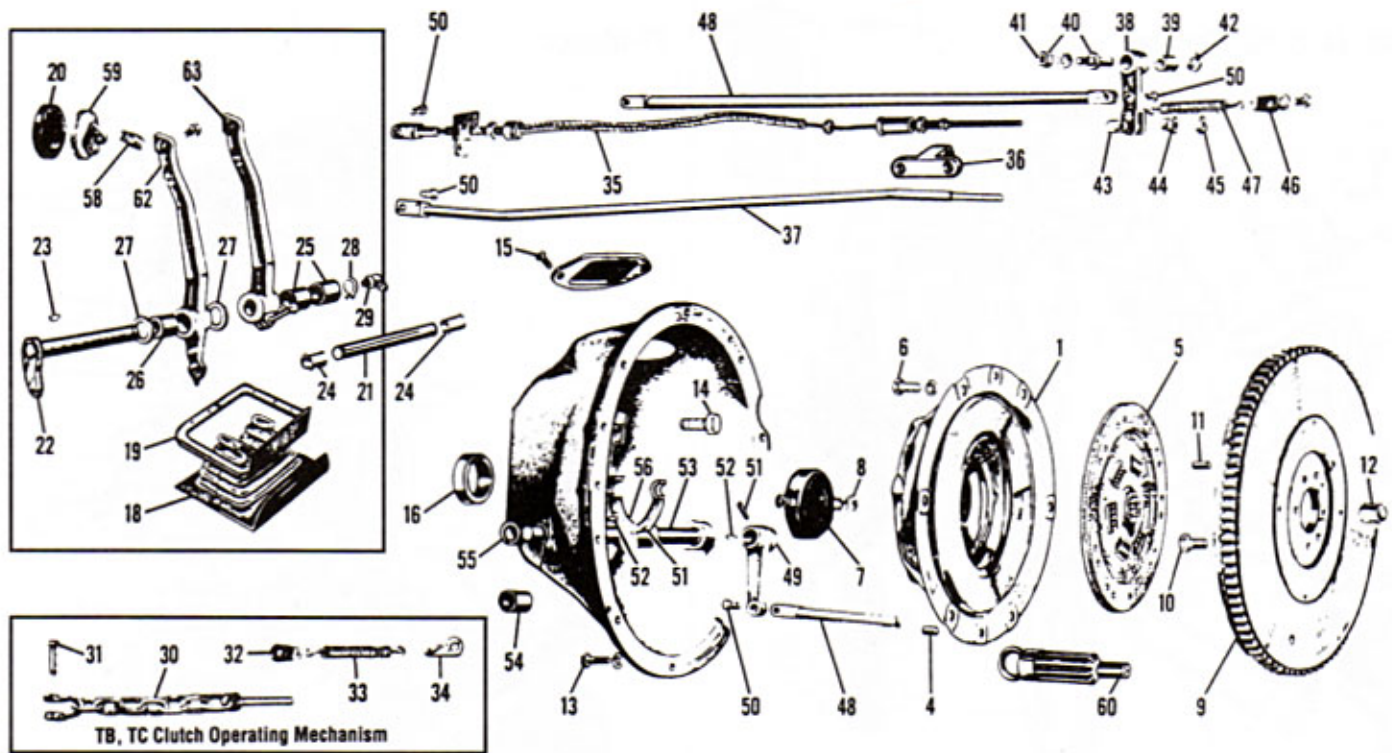
III. Part Number No	Description	Qty. Req.	Details
---------------------	-------------	-----------	---------

Water Pump, Fan & Thermostat

1	PWT916A	GASKET (water pump)	1	TA
	292-000	GASKET (water pump)	1	TB, TC, TD, TF
	PWT916	WATER PUMP	1	TA
2	AEF19	WATER PUMP	1	TB, TC, TD, TF
4	AEF136	BEARING, water pump	2	TB, TC, TD, TF
5	327-030	KEY, water pump pulley	1	
6	AEB156	SEAL, water pump	1	TD from (e)6483, TF
8	328-520	GREASE NIPPLE, water pump	1	
9	311-080	NUT, spindle	1	TB, TC, TD, TF
10	328-750	STUD, water pump mounting	2	
11	311-100	NUT, water pump stud	2	
12	320-290	BOLT, water pump mounting	2	TB, TC, TD, TF
13	GHF332	LOCK WASHER, stud & bolt	4	
14	434-060	PULLEY, water pump	1	
15	434-108	FAN BLADE SET, (2 blades)	1	
17	320-110	BOLT, fan blade	4	TB, TC
	320-120	BOLT, fan blade	4	TD, TF
18	434-070	SPACER, fan blade	1	
19	434-110	FAN BELT	1	TA
	434-120	FAN BELT	1	TB, TC, TD, TF
22	434-210	BRANCH PIPE, water	1	TB, TC
	434-220	BRANCH PIPE, water	1	TD
23	434-230	BRANCH PIPE, water	1	TF
24	434-438	HOSE SET, lower (3 hoses)	1	TB, TC, TD, TF
26	434-410	RADIATOR HOSE, top	1	TA, TB, TC, TD
27	434-420	RADIATOR HOSE, top	1	TF

III. Part Number No	Description	Qty. Req.	Details
---------------------	-------------	-----------	---------

28	326-388	HOSE CLAMP SET, (8 clamps)	1	TA, TB, TC, TD
29	326-398	HOSE CLAMP SET, (8 clamps)	1	TF
30	434-130	WATER OUTLET	1	TB, TC
	434-140	WATER OUTLET	1	TD
31	328-747	STUD, water outlet	2	TB, TC, TD
32	311-100	NUT, for stud	2	
33	290-700	GASKET, water outlet	1	TB, TC, TD, TF
34	AEK122	PLUG, water outlet	1	
35	320-290	BOLT, water outlet mounting	2/4	(TF uses 2)
36		BOLT, water outlet mounting	2	
37	434-168	THERMOSTAT & HOUSING	1	
38	323-040	SCREW, thermostat elbow	2	TA, TB, TC, TD
39	434-170	ELBOW, thermostat housing	1	
40	292-200	GASKET, thermostat elbow	1	
42	434-150	WATER OUTLET ELBOW	1	TF
43	292-100	GASKET, water outlet	1	all models
44	320-260	BOLT, water outlet elbow	2	TF
45	GTS102	THERMOSTAT, replacement type; 74°C (summer)	1	
	GTS104	THERMOSTAT, replacement type;	1	TF
	GTS106	THERMOSTAT, replacement type; 88°C (winter)	1	



Ill. No	Part Number	Description	Qty. Req.	Details
Clutch Drive, Controls & Fittings				
1	22A67	CLUTCH COVER, new, 7 1/4"	1	TB, TC, TD to (e)9407
	GCC108	CLUTCH COVER, new, 8"	1	TD from (e)9408, TF
4	325-318	DOWEL SET, clutch cover, (2 dowels)	1	TB, TC, TD, TF
5	PW664A	CLUTCH PLATE* (reconditioned)	1	TA
		*Customers own unit, please call your local Moss branch for details.		
	GCP148	CLUTCH PLATE, new, 7 1/4"	1	TB, TC, TD to (e)9407
	GCP132	CLUTCH PLATE, new, 8"	1	TD from (e)9408, TF
NI	GCK257	CLUTCH KIT (8")	1	TD from (e)9408, TF
		(Includes Cover, plate & bearing)		
6	320-260	BOLT, plate to flywheel	6	
7	GRB103	RELEASE BEARING	1	TB, TC, TD, TF
8	7H3048	SPRING CLIP, release bearing	2	
9	P162	RING GEAR	1	TB, TC
	P163	RING GEAR, 10 1/8" ID.	1	TD to (e)9407
	P164	RING GEAR, 10 1/4" ID.	1	TD from (e)9408, TF
10	320-524	BOLT, flywheel to crank	4	
11	325-328	DOWEL SET, flywheel to crank (2 dowels)	1	
12	330-040	PILOT BUSH, rear crankshaft	1	TB, TC, TD, TF
13	321-048	BOLT SET, housing to block (10 bolts)	1	
14	321-058	BOLT SET, housing to gearbox (8 bolts)	1	
15		SCREW, top cover plate	2	
16	120-200	OIL SEAL, clutch housing	1	TB, TC
	AAA5650	OIL SEAL, clutch housing	1	TD, TF
18	280-420	FUME EXCLUDER, rubber	1	all models
19	406-700	PLATE, pedal excluder retaining	1	
20	280-440	PEDAL PAD, brake & clutch	2	TA, TB, TC
	ACA5359	PEDAL PAD, brake & clutch	2	TD, TF
21	190-480	PEDAL SHAFT	1	TA, TB, TC
22	190-500	PEDAL SHAFT, LHD (as illustrated)	1	
	190-560	PEDAL SHAFT, RHD	1	TD, TF
23	327-050	KEY, pedal shaft	1	
24	330-050	BUSH, pedal	2	TA, TB, TC
25	330-358	BUSH SET, in chassis	1	TD, TF LHD models
26	330-100	BUSH, brake & clutch pedal	2	TD, TF
27	324-430	WASHER, pedal spacing	2	
28	326-050	CIRCLIP, pedal shaft	2	TD, TF RHD models TD, TF LHD models
29	UHN405	GREASE NIPPLE, pedal shaft	1	TD, TF LHD models
30	190-450	CHAIN, clutch operating	1	
31	CL2515	PIN, chain to pedal	1	
32	190-410	CLIP, clutch return spring	1	TB, TC
33	329-340	SPRING, clutch return	1	

Ill. No	Part Number	Description	Qty. Req.	Details
34	190-470	BRACKET, return spring, on starter	1	
35	331-070	CLUTCH CABLE	1	TD to (c)22250
36	190-590	BRACKET, cable abutment	1	
37	451-220	CLUTCH ROD	1	
38	190-400	LEVER, (with bush)	1	
39	330-010	BUSH, (in lever)	1	
40	190-390	FULCRUM PIN (with nut)	2	
41	AJD8336Z	NUT, fulcrum pin	2	TD from (c)22251, TF
42	324-560	WASHER, fulcrum pin	1	
43	190-440	BARREL PIN, clutch rod	1	
44	190-430	NUT, clutch adjusting	1	
45	AJD8104	LOCK NUT, clutch adjuster	1	
46	190-410	CLIP, clutch return spring	1	
47	329-330	SPRING, clutch return	1	
48	190-420	CLUTCH LINK	1	
49	190-370	CLUTCH LEVER, 1/2" shaft	1	TD to (e)9407
	190-380	CLUTCH LEVER, 1/4" shaft	1	TD from (e)9408, TF
50	2K6930	CLEVIS PIN	3	TD, TF
51	325-020	PIN, clutch lever & fork	2	all models
52	327-050	KEY, 1/8" clutch shaft	2	TB, TC, TD to (e)9407
	WKN606	KEY, 1/4" clutch shaft	2	TD from (e)9408, TF
53	190-320	CLUTCH SHAFT, 1/2"	1	TB, TC, TD to (e)9407
	190-330	CLUTCH SHAFT, 1/4"	1	TD from (e)9408, TF
54	330-070	BUSH, 1/2" shaft	2	TB, TC, TD to (e)9407
	330-060	BUSH, 1/4" shaft	2	TD from (e)9408, TF
55	326-030	CIRCLIP, 1/2" shaft	1	TB, TC, TD to (e)9407
	326-140	CIRCLIP, 1/4" shaft	1	TD from (e)9408, TF
56	190-340	ACTUATING FORK, 1/2" shaft	1	TB, TC, TD to (e)9407
	190-350	ACTUATING FORK, 1/4" shaft	1	TD from (e)9408, TF
58	406-760	PEDAL PAD EXTENDER	2	TD, TF
59	406-750	ALLOY PEDAL PAD	2	
60	387-240	CLUTCH ALIGNMENT TOOL	1	TB, TC, TD, TF
Steering Conversion Parts - LHD to RHD (TD & TF)				
62	406-710	BRAKE PEDAL, RHD	1	
63	406-720	CLUTCH PEDAL, RHD	1	
	406-770	ACCELERATOR PEDAL, RHD	1	
	406-730	PEDAL BOX, RHD	1	must be welded
	406-780	CHASSIS TUBE	1	through chassis
	263-135	STEERING RACK, RHD	1	Less track control arms
	233-570*	DASHBOARD FASCIA, plain	1	TD only
	233-580	DASHBOARD BACKING PANEL	1	

*For veneered dashboards, see page 70.

T Type Lubrication from Penrite

	Graphite No. 3 (Water Proof) or Semi Fluid Grease	HPR30 or HPR40 Multigrade Engine Oil	Cam and Engine Assembly Lube	Running In Oil	Mild EP Hypoid Oil	Gear Oil 40	Hypoid 85W/140	Carburetter Dash Pot Mineral Oil	Trans 140 or Steering Box Lube	Shock Oil 1-2 for all Piston Type Shock Absorbers	Trans 140 for Luvax Vane Shock Absorbers
Engine Assembly			✱								
Running In				✱							
500 Mile Intervals											
King Pins	✱										
Steering Ball Joints	✱										
Road Spring Pins/Trunnions	✱										
Pedal Shaft	✱										
1000 Mile Intervals											
Propellor Shaft	✱										
Carb. Dampers								✱			
Water Pump											
Gearbox (top up) TA, TB, TC					✱						
Gearbox (top up) TD, TF						✱					
Rear Axle (top up) TA, TB, TC					✱						
Rear Axle (top up) TD, TF							✱				
3000 Mile Intervals											
Engine (refill)		✱									
Air Cleaner Element		✱									
Distributor Shaft		✱									
Dist. Advance Mechanism		✱									
Distributor Cam	✱										
Dynamo	✱										
Steering Box TA, TB, TC									✱		
6000 Mile Intervals											
Gearbox (top up) TA, TB, TC					✱						
Gearbox (top up) TD, TF						✱					
Rear Axle (top up) TA, TB, TC					✱						
Rear Axle (top up) TD, TF							✱				
Rev. Counter Gearbox	✱										
Handbrake Cables	✱										
Steering Rack TD, TF	✱										
12000 Mile Intervals											
Front Wheel Bearings	✱										
Road Spring Leaves	✱										
Shock Absorber (top up) TA											✱
Shock Absorber (top up) TB-TF										✱	

Grease

Graphite No. 3 Grease	400g	GGL9030X
Semi Fluid Grease	0.5 litre	GGL9029X
Water Pump Grease	100g	GGL9034X

Engine Oil*

HPR30 (20w/60)	1 litre	GGL9005X
	5 litres	GGL9004X
HPR40 (25w/60)	1 litre	GGL9003X
	5 litres	GGL9002X

* Non-detergent engine oils are available upon request.

Gear Oil

Mild EP	1 litre	GGL9017X
Gearoil 40	1 litre	GGL9021X
	5 litres	GGL9020X
Hypoid 85W/140	1 litre	GGL9023X
	5 litres	GGL9022X
Trans 140	1 litre	GGL9033X
Steering Box Lube	0.5 litre	GGL9026X

Shock Absorber Oil (Trans 140 is for Luvax dampers)

Trans 140 Shock Absorber	1 litre	GGL9033X
Shock Oil 1 (light)	1 litre	GGL9038X
Shock Oil 2 (Heavy)	1 litre	GGL9039X

S.U. Carburetter Dashpot Oil

0.125 litre	GGL9035X
-------------	----------

Cam & Engine Assembly Lubricant

40g	GGL9031X
-----	----------

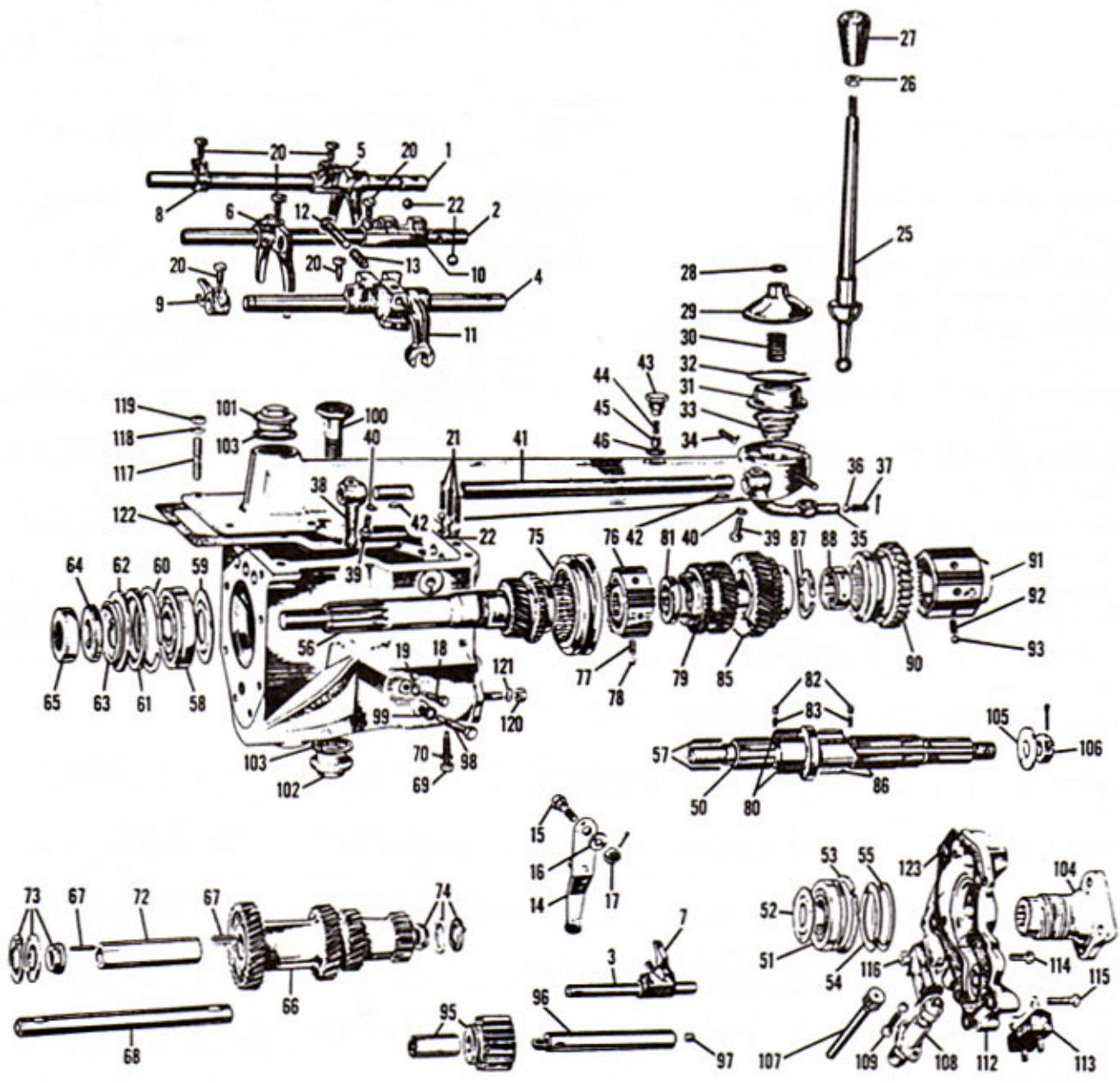
Running In Oil

1 litre	GGL9015X
5 litres	GGL9014X

Storage Oil

5 litres	GGL9026X
----------	----------

Storage Oil is designed for use during long term storage and may be used throughout the car to protect all mechanical components.



Ill. No	Part Number	Description	Qty. Req.	Details
---------	-------------	-------------	-----------	---------

Gearbox Components - TB & TC

Selector Shafts & Forks

Ill. No	Part Number	Description	Qty. Req.	Details
1		SELECTOR SHAFT, 1st & 2nd	1	
2		SELECTOR SHAFT, 3rd & 4th	1	
3		SELECTOR SHAFT, reverse fork	1	
4	440-260	SELECTOR SHAFT, reverse	1	
5		FORK, 1st & 2nd gear selector	1	
6		FORK, 3rd & 4th gear selector	1	
7		FORK, reverse selector	1	
8	442-020	STOP, 2nd speed	1	
9	442-010	STEADY, reverse selector shaft	1	
10		SELECTOR, 3rd & 4th gear	1	
11	440-280	SELECTOR, reverse gear	1	
12		PLUNGER, reverse gear selector	1	

Ill. No	Part Number	Description	Qty. Req.	Details
---------	-------------	-------------	-----------	---------

13	329-190	SPRING, reverse gear selector	1	
14		LINK, reverse gear operating	1	
15		FULCRUM PIN, operating link	1	
16		WASHER, fulcrum pin	1	
17		NUT, fulcrum pin	1	
18		LOCK BOLT, reverse fork shaft	1	
19	GHF332	WASHER, reverse shaft lock bolt	1	
20	442-088	LOCK BOLT SET, selector & fork	1	(6 lock bolts)
21	329-438	SPRING SET, selector shaft	1	(3 springs)
22	329-588	BALL SET, selector shafts	1	(5 balls)

Ill. No	Part Number	Description	Qty. Req.	Details
Gearbox Extension Components				
25	443-055	GEAR LEVER	1	
26	311-180	NUT, gear lever, chrome	1	
27	228-290	GEAR KNOB, exact reproduction	1	
28		CIRCLIP, gear lever	1	
29	443-000	COVER, upper, gear lever	1	
30	329-100	SPRING, upper, gear lever	1	
NI	329-160	SPACER, gear lever (locates between spring & upper cover)	1	
31	1G3927	COVER, lower, gear lever	1	
32	1H3087	CIRCLIP, lower, gear lever	1	
33	AEG3105	SPRING, anti-rattle	1	
34	AEG3106	PIN, gear lever	2	
35	443-050	LEVER, actuating shaft	1	
36	BLS108	BALL, actuating shaft lever	1	
37	AEG3123	SPRING, actuating shaft lever	1	
38	443-040	SELECTOR LEVER	1	
39		BOLT, selector & actuating shaft lever	2	
40	GHF331	WASHER, lever bolt	2	
41	443-150	OPERATING SHAFT, gear change	1	
42	327-030	KEY, operating shaft	2	
43	443-020	CAP, operating shaft	1	
44	AEG3123	SPRING, operating shaft	1	
45	AEG3124	PLUNGER, operating shaft	1	
46	6K638	WASHER, operating shaft cap	1	

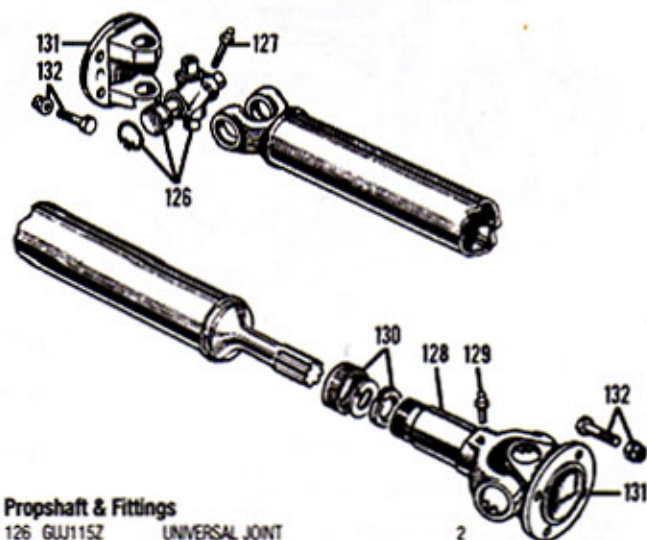
Mainshaft - Gears & Bearings

50		MAINSHAFT	1	
51	126-200	BEARING, rear mainshaft	1	
52	440-210	GUARD, rear mainshaft bearing	1	
53		CIRCLIP, rear mainshaft bearing	1	
54	441-440	PLATE, guard	1	
55	441-170	SPRING PLATE, guard	1	
56		FIRST MOTION SHAFT	1	
57	442-248	ROLLER BEARING SET, (13 rollers)	1	first motion shaft
58	128-200	BEARING, first motion shaft	1	
59		GUARD, first motion shaft bearing	1	
60		CIRCLIP, first motion shaft bearing	1	
61		PLATE, guard	1	
62	848-910	SPRING PLATE, guard	1	
63		LOCK WASHER, bearing	1	
64	440-150	NUT, first motion shaft	1	
65	120-200	OIL SEAL, first motion shaft	1	
66		CLUSTER GEAR	1	
67	442-258	ROLLER BEARING SET, (30 rollers)	1	cluster gear
68	440-130	SHAFT, cluster gear	1	
69	440-080	LOCK BOLT, cluster shaft	1	
70	GHF332	WASHER, cluster shaft bolt	1	
72		SPACING TUBE, roller bearing	1	
73	440-110	THRUST WASHER ASSEMBLY, front	1	
74	440-120	THRUST WASHER ASSEMBLY, rear	1	
75		SLEEVE ASSEMBLY, 3rd & 4th	1	
76		SLIDING HUB, 3rd & 4th	1	
77	329-030	SPRING, 3rd & 4th sliding hub	6	
78	329-598	BALL SET, 3rd & 4th sliding hub	1	(6 balls)
79		THIRD GEAR	1	
80	442-338	ROLLER BEARING SET, third gear	1	(36 rollers)
81	440-180	LOCK PLATE, third gear	1	
82	442-100	PLUNGER, 2nd & 3rd gear	2	
83	442-110	SPRING, 2nd & 3rd gear	2	
85	440-030	SECOND GEAR	1	
86	442-228	ROLLER BEARING SET, second gear	1	(22 rollers)
87		SPLIT WASHER, second gear	2	
88		COLLAR, second gear	1	
90		FIRST GEAR	1	
91		SLIDING HUB, 1st & 2nd	1	
92	329-030	SPRING, 1st & 2nd sliding hub	6	
93	329-598	BALL SET, 1st & 2nd sliding hub,	1	(6 balls)
95		REVERSE GEAR, includes bush	1	
96	442-030	SHAFT, reverse gear	1	
97		PLUG, reverse gear shaft	1	
98	440-080	LOCK BOLT, reverse gear shaft	1	
99	324-030	WASHER, reverse shaft bolt	1	

Ill. No	Part Number	Description	Qty. Req.	Details
Gearbox Case Fittings & Mountings				
100	440-360	DIPSTICK	1	
101	442-040	PLUG, oil filler	1	
102	442-050	PLUG, oil drain	1	
103	6K432	WASHER (copper), drain plug	a/r	oil filler & drain plug
104		FLANGE, rear	1	
105	324-460	WASHER, rear flange	1	
106	311-310	NUT, rear flange to mainshaft	1	
107		PINION, speedometer	1	
108		HOUSING, speedometer pinion	1	
109		SCREW, speedometer pinion housing	2	
112	440-320	COVER PLATE, rear gearbox	1	
113	410-040	MOUNTING, rear gearbox	2	
114	320-680	BOLT, mounting to cover, short (20mm)	2	
115	320-690	BOLT, mounting to cover, long (41mm)	2	
116	311-280	NUT, rear mounting bolt	2	
117	328-747	STUD, top cover	6	
118	GHF332	WASHER, top cover stud	6	
119	311-100	NUT, top cover stud	6	
120	311-190	NUT, rear cover stud, 10mm	3	
	AJD8106Z	NUT, rear cover, 1/4" (BSF)	2	
121	GHF333	WASHER, rear cover stud	3	
	GHF332	WASHER, rear cover	2	

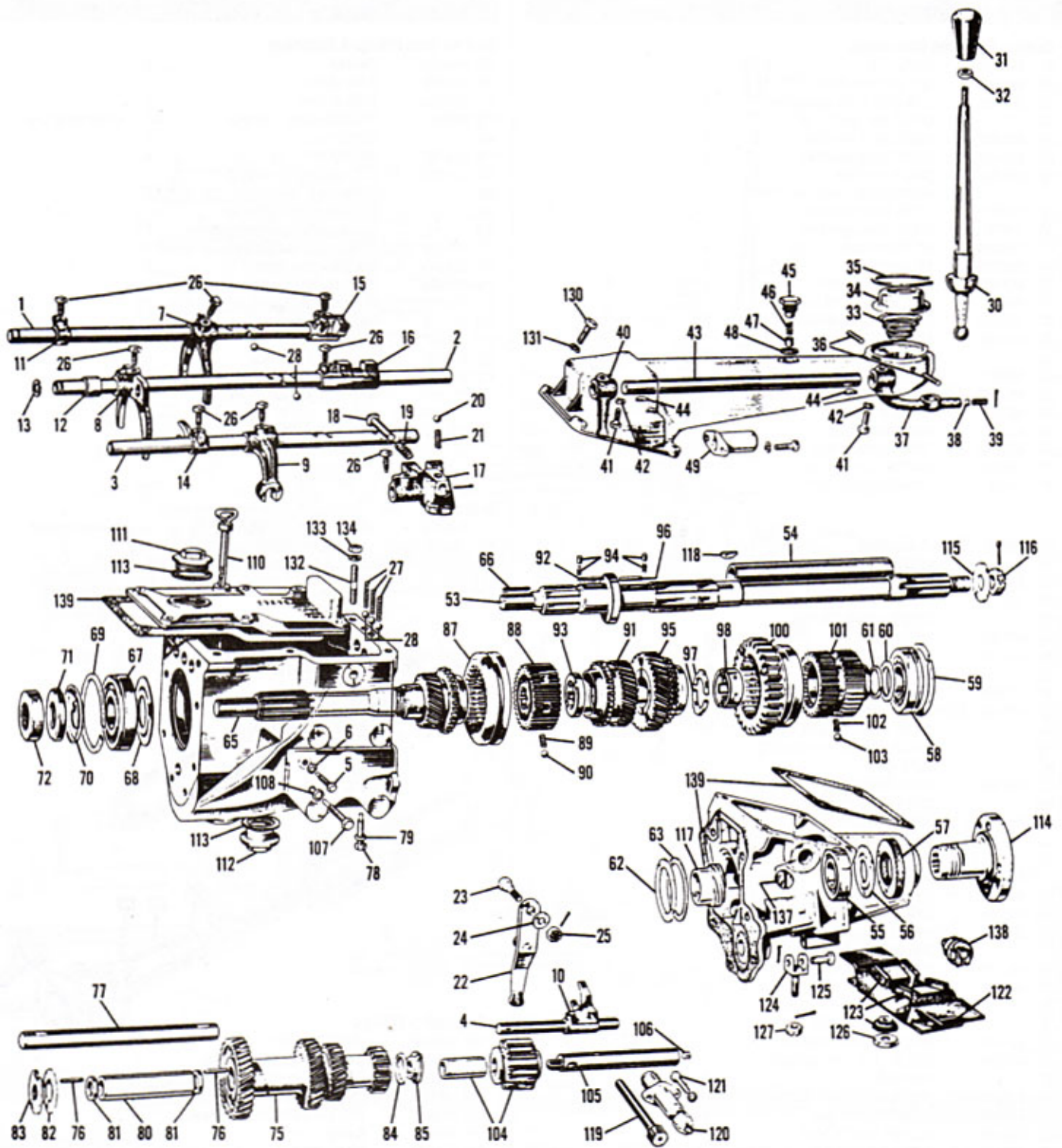
Gaskets

298-308	GASKET & SEAL SET, gearbox	1	(includes front seal)
122	293-700	GASKET, top gearbox cover	1
123	293-800	GASKET, rear gearbox cover	1



Propshaft & Fittings

126	GUJ115Z	UNIVERSAL JOINT	2	
127	549229A	GREASE NIPPLE (universal joint)	2	
128	7H3865	YOKE	1	
129	549229A	GREASE NIPPLE (yoke)	1	
130	7H3880X	DUST CAP & CORK SEAL SET (yoke)	1	
131	7H3863	FLANGE	2	
132	321-338	BOLT & NUT SET	2	4 bolts & nuts for 1 flange



Ill. No	Part Number	Description	Qty. Req.	Details
---------	-------------	-------------	-----------	---------

Gearbox Components – TD & TF

Selector Shafts & Forks

1	441-300	SELECTOR SHAFT, 1st & 2nd	1	
2	441-310	SELECTOR SHAFT, 3rd & 4th	1	
3	441-320	SELECTOR SHAFT, reverse	1	
4	441-280	SELECTOR SHAFT, reverse fork	1	
5		LOCK BOLT, reverse fork shaft	1	
6	GHF331	WASHER, reverse shaft lock bolt	1	
7	441-340	FORK, 1st & 2nd gear selector	1	
8	441-350	FORK, 3rd & 4th gear selector	1	
9	441-360	FORK, upper reverse gear selector	1	

Ill. No	Part Number	Description	Qty. Req.	Details
---------	-------------	-------------	-----------	---------

10	441-270	FORK, lower reverse gear selector	1	
11	442-020	STOP, 2nd speed	1	
12	441-330	SPACER, 3rd & 4th selector shaft	1	
13	326-010	CIRCLIP, 3rd & 4th selector shaft	1	
14	442-010	STEADY, reverse selector shaft	1	
15	441-370	SELECTOR, 1st & 2nd gear	1	
16	441-380	SELECTOR, 3rd & 4th gear	1	
17		SELECTOR, reverse gear	1	
18	441-400	PLUNGER, reverse gear selector	1	
19	329-190	SPRING, reverse selector plunger	1	
20	BLS110	BALL, reverse gear selector	1	
21		SPRING, reverse gear selector	1	
22	441-290	LINK, reverse gear operating	1	

Ill. No	Part Number	Description	Qty. Req.	Details
23		FULCRUM PIN, operating link	1	
24		WASHER, fulcrum pin	1	
25		NUT, fulcrum pin	1	
26	442-098	LOCK BOLT SET, selector & fork	1	(8 lock bolts)
27	329-040	SPRING, selector shaft	3	
28	BLS110	BALL, selector shaft	5	

Gearbox Extension Components

30	443-055	GEAR LEVER	1	
31	228-290	GEAR KNOB, exact reproduction	1	
32	311-180	NUT, gear lever, chrome	1	
33	AEG3105	SPRING, anti-rattle	1	
34	1G3927	COVER, gear lever	1	
35	1H3087	CIRCLIP, gear lever cover	1	
36	AEG3106	PIN, gear lever	2	
37	443-050	LEVER, actuating shaft	1	
38	BLS108	BALL, actuating shaft lever	1	
39	AEG3123	SPRING, actuating shaft lever	1	
40	443-040	SELECTOR LEVER	1	
41		BOLT, selector & actuating shaft lever	2	
42	GHF331	WASHER, lever bolt	2	
43	443-010	OPERATING SHAFT, gear change	1	
44	327-030	KEY, operating shaft	2	
45	443-020	CAP, operating shaft	1	
46	AEG3123	SPRING, operating shaft	1	
47	AEG3124	PLUNGER, operating shaft	1	
48	6K638	WASHER, operating shaft cap	1	
49	441-640	SUPPORT CAP, 3rd & 4th selector shaft	1	TD from (e)16482, TF

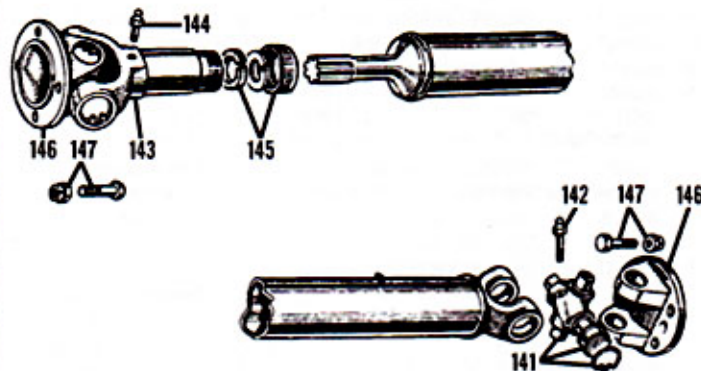
Mainshaft - Gears & Bearings

53	451-130	MAINSHAFT	1	
54	441-430	DISTANCE PIECE, mainshaft	1	
55	533360A	BEARING, rear mainshaft	1	
56	441-180	GUARD, rear mainshaft bearing	1	
57	121-300	OIL SEAL, rear case, felt	1	
58	AEF137	BEARING, centre mainshaft	1	
59	AAA5636	CIRCLIP, centre mainshaft bearing	1	
60	324-480	WASHER, centre mainshaft bearing	1	
61	326-070	CIRCLIP, centre mainshaft bearing	1	
62	441-440	GUARD PLATE	1	centre mainshaft bearing
63	441-170	SPRING PLATE	1	
65	441-060	FIRST MOTION SHAFT	1	
66	8G2404	ROLLER BEARING, 1st motion shaft	18	
67	AEF135	BEARING, first motion shaft	1	
68	441-120	GUARD, first motion shaft bearing	1	
69		CIRCLIP, first motion shaft bearing	1	
70	441-110	LOCK WASHER	1	1st motion shaft bearing
71	441-100	NUT, first motion shaft	1	
72	AAA5650	OIL SEAL, first motion shaft	1	
75	441-010	CLUSTER GEAR	1	
76	442-260	ROLLER BEARING, cluster gear	28	
77	441-250	SHAFT, cluster gear	1	
78	441-260	LOCK BOLT, cluster shaft	1	
79	GHF331	WASHER, cluster shaft bolt	1	
80	441-240	SPACING TUBE, roller bearing	1	
81	441-230	WASHER, roller bearing	2	
82	441-190	THRUST WASHER, front	1	
83	441-210	PLATE, front thrust washer	1	
84	441-200	THRUST WASHER, rear	1	
85	441-220	PLATE, rear thrust washer	1	
87	441-090	SLEEVE ASSEMBLY, 3rd & 4th	1	
88	441-080	SLIDING HUB, 3rd & 4th	1	
89	329-200	SPRING, 3rd & 4th sliding hub	6	
90	BLS110	BALL, 3rd & 4th sliding hub	7	
91	441-040	THIRD GEAR	1	
92	442-328	ROLLER BEARING SET, (32 rollers)	1	3rd gear
93		COLLAR, third gear	1	
94	442-128	SPRING & PLUNGER SET	2	2nd & 3rd gear (1 of each)
95	441-030	SECOND GEAR	1	
96	442-318	ROLLER BEARING SET, (28 rollers)	1	
97	441-168	SPLIT WASHER SET, (2 washers)	1	2nd gear
98		COLLAR	1	
100	MM441-020	FIRST GEAR	1	
101	441-070	SLIDING HUB (improved design)	1	1st & 2nd gear
102	329-180	SPRING	6	1st & 2nd
103	BLS110	BALL	6	sliding hub

Ill. No	Part Number	Description	Qty. Req.	Details
104	441-050	REVERSE GEAR, (includes bush)	1	
105	442-030	SHAFT, reverse gear	1	
106		PLUG, reverse gear shaft	1	
107		LOCK BOLT, reverse gear shaft	1	
108	GHF332	WASHER, reverse shaft bolt	1	

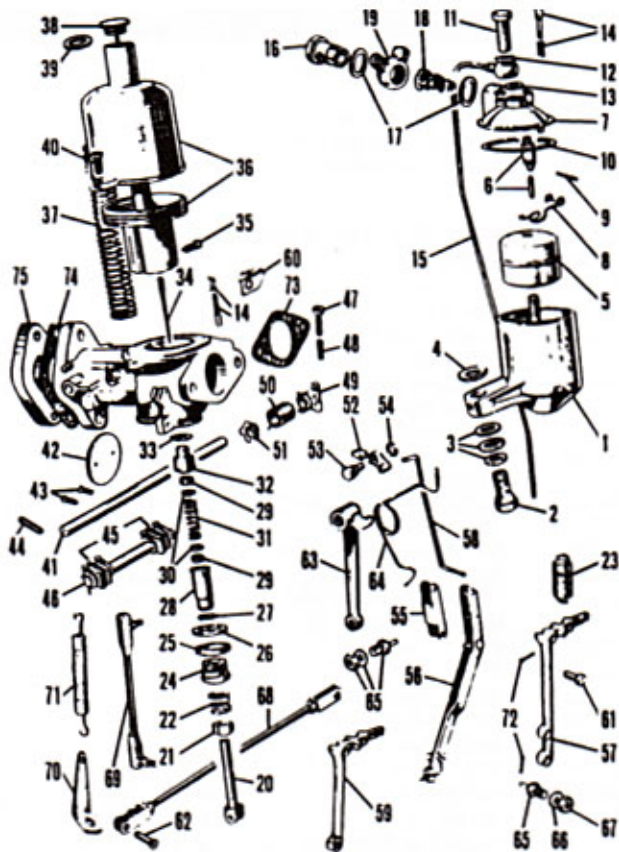
Gearbox Case Fittings, Gasket Set & Mountings

110	441-420	DIPSTICK	1	
111	442-040	PLUG, oil filler	1	
112	442-050	PLUG, oil drain	1	
113	6K432	WASHER, oil filler & drain plug	2	
114		FLANGE, rear	1	
115	324-460	WASHER, rear flange	1	
116	311-310	NUT, rear flange to mainshaft	1	
117		GEAR, speedometer	1	
118	327-020	KEY, speedometer gear	1	TD from (e)16978, TF
119		PINION, speedometer gear	1	
120	442-060	HOUSING, speedometer pinion	1	
121		SCREW, speedometer pinion housing	1	
122	411-020	SUPPORT BRACKET, rear mounting	1	
123	281-408	MOUNTING SET, rear	1	includes 2 mountings/bushes
	280-590	MOUNTING only (rubber), rear	2	
124	411-030	FORK, rear mounting	1	
125	CLZ515	CLEVIS PIN, fork	1	
126	324-570	WASHER, cupped	1	
127	311-150	NUT, rear mounting fork	1	
130	320-290	BOLT, remote control cover	4	
131	GHF332	WASHER, cover bolt	4	
132	328-747	STUD, top cover	6	
133	GHF332	WASHER, top cover stud	6	
134	311-100	NUT, top cover stud	6	
137		PLUG, reverse light switch hole	1	
138	BAU1074A	SWITCH, reverse light	1	optional
139	298-418	GASKET SET, gearbox	1	



Propshaft & Fittings

141	GUJ115Z	UNIVERSAL JOINT	2	
142	549229A	GREASE NIPPLE (universal joint)	2	
143	7H3865	YOKE	1	
144	549229A	GREASE NIPPLE (yoke)	1	
145	7H3880X	DUST CAP & CORK SEAL SET (yoke)	1	
146	7H3863	FLANGE	2	
147	321-338	BOLT & NUT SET	2	4 bolts & nuts for 1 flange



III. Part Number Description Qty. Details No Req.

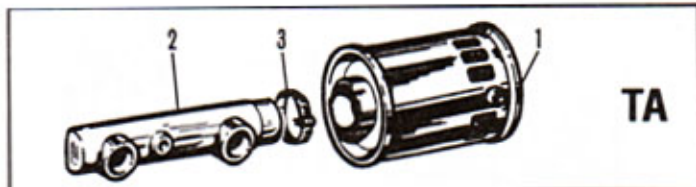
Carburettors & Fittings (All Models)

See also 'Performance & Tuning' section in Accessories.

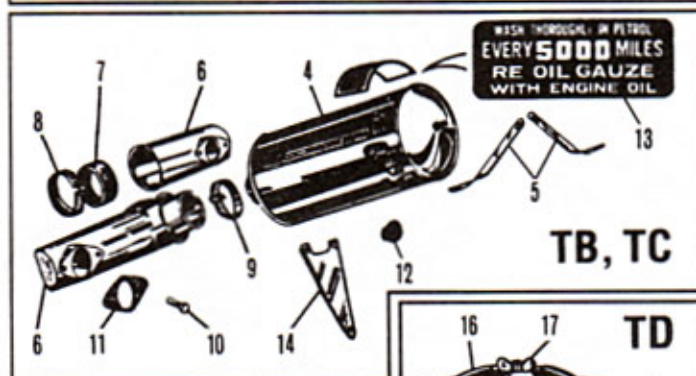
III. No	Part Number	Description	Qty. Req.	Details
NI	AUC327T	*CARBURETTORS (pair) New	1pr	TA (brass piston)
NI	AUC374T	*CARBURETTORS (pair) New	1pr	TB
NI	AUC429T	*CARBURETTORS (pair) New	1pr	TC
NI	AUC549T	*CARBURETTORS (pair), (1 1/4") New	1pr	TD
NI	AUC728T	*CARBURETTORS (pair), (1 1/2") New	1pr	TD MKII & TF
*Our Brand New (non-exchange) carbs are supplied in matched pairs, less linkage.				
	GAC806	SUPERBLEND, Lead Substitute (500ml)	a/r	allows you to use unleaded fuel, safely
(Endorsed by the 'Federation of Historic Vehicle Clubs')				
1	AUC3496	FLOAT BOWL, front	1	TB, TC, TD, TF
	AUC3495	FLOAT BOWL, rear	1	
2	AUC1541	BOLT, float bowl to carb.	2	
3	AUE6*	WASHER SET, float bowl bolt	2	(3 washers)
4	AUC2130*	WASHER, bowl to carb., fibre	2	
5	WZX1303	FLOAT	2	
6	WZX1101*	NEEDLE & SEAT	2	
	GAC9201X	GROSE JET	2	
<i>(Grose Jets are a superior replacement for the original type needle & seat)</i>				
7	AUE479	COVER SET, front, (includes lever)	1	TB, TC, TD, TF
	AUE478	COVER SET, rear, (includes lever)	1	
8	AUC1980*	LEVER, float bowl cover	2	original cover
9	AUC1152*	PIN, lever	2	
10	AUC1147A*†	GASKET, float bowl cover	2	
11	370-145	CAP NUT, float bowl cover	2	
12	AUC1557*	WASHER, cover bolt, aluminium	2	
13	AUC1928*	WASHER, cover bolt, fibre	2	
14	WZX1105	PIN & SPRING ASSEMBLY, brass	2/4	1 1/2" carb. uses 4
15	AUC1866	OVERFLOW PIPE	2	
16	AUC2698	BANJO BOLT, petrol pipe	2	
17	AUC2141*	WASHER, banjo bolt, fibre	4	
18	AUC2139	SCREEN, petrol filter	2	
19	AUC1832	BANJO, petrol pipe	1/2	MKII uses 2
20	WZX1595*	JET	2	
21	AUC2121	NUT, jet adjusting	2	
22	AUC2114	SPRING, jet adjusting nut	2	
23	AUC4667	SPRING, jet return	2	
24	AUC3232	NUT, jet securing	2	
25	AUC2117	WASHER, jet securing nut	2	

III. No	Part Number	Description	Qty. Req.	Details
26	AUC2118*†	GASKET, jet securing nut	2	
27	AUC3233*	WASHER, bottom jet bearing, copper	2	
28	WZX1593	BEARING, bottom jet	2	
29	AUC2120*†	JET SEAL	4	
30	AUC2119*	WASHER, jet seal, brass	4	
31	AUC1158	SPRING, jet	2	
32	AUC3230	BEARING, top jet	2	
33	AUC2122*	WASHER, top jet bearing, copper	2	
34	AUD1034*	JET NEEDLE (AC), standard	2	TA 1 1/4" carburettors
	AUD1166*	JET NEEDLE (ES), standard	2	TB, TC, TD 1 1/4" carburettors
	AUD1258*	JET NEEDLE (LS1), standard	2	TD MKII 1 1/2" carburettors
	AUD1214*	JET NEEDLE (G.J.), standard	2	TF 1 1/2" carburettors
	AUD1046	JET NEEDLE, weak	2	All models
35	370-100	SCREW, jet needle retaining	2	
36		CHAMBER ASSEMBLY, 1 1/4" carbs.	2	TB, TC, TD
		CHAMBER ASSEMBLY, 1 1/2" carbs.	2	TD MKII, TF
37	AUC4587	SPRING, piston (if fitted)	2	
38	AUC8103RB	CAP & DAMPER, round brass cap	2	
	AUC8103A	CAP & DAMPER, *plastic cap	2	TB, TC, TD
		*alternative to original brass cap		
	AUC8102HB	CAP & DAMPER, hexagon brass cap	2	
	AUC8102A	CAP & DAMPER, *plastic cap	2	TD MKII, TF
		*alternative to original brass cap		
39	AUC2141	WASHER, piston damper	2	
40	370-285	SCREW, chamber to body, brass	4/6	(1 1/4" carbs use 4)
41	376-010	THROTTLE SHAFT, std	2	TB, TC, TD 1 1/4" carbs.
	AUC3242	THROTTLE SHAFT, std	2	TD MKII, TF 1 1/2" carbs.
	376-020	THROTTLE SHAFT, oversize	2	TB, TC, TD 1 1/4" carbs.
	AUC3242RP	THROTTLE SHAFT, oversize	2	TD MKII, TF 1 1/2" carbs.
42	WZX1320	DISC, throttle	2	TB, TC, TD 1 1/4" carbs.
	WZX1323	DISC, throttle	2	TD MKII, TF 1 1/2" carbs.
43	AUC1358	SCREW, throttle disc	4	
44	AUD2906	PIN, levers to throttle shaft	2	
45	375-028	COUPLING KIT, throttle shaft	1	(inc. coupling rod & couplers)
46	AUE75	COUPLING ASSEMBLY	2	
47	AUC8493	SCREW, idle adjustment	3	
48	AUC2451	SPRING, idle adjustment	3	
49	AUC4771	CLIP, retaining	2	
50	AUC4781	SPRING, rear	1	late TC, TD, TF
	AUC4782	SPRING, front	1	
51	AUC4770	ANCHOR, spring	2	
52	AUC3502	LEVER, fast idle	1	
53	AUC3471	PIVOT BOLT, fast idle lever	1	TD, TF
54	AUC4848	WASHER, pivot bolt	1	
55	AUC4819	LINK, jet lever to carb.	2	TB, TC
56	AUE63	LINK, rear jet lever to carb.	1	TD, TF
57	370-415	JET LEVER, rear	1	TB, TC
	AUC3234	JET LEVER, rear	1	TD, TF
58	AUC4853	LINK, fast idle	1	
59	370-405	JET LEVER, front	1	TB, TC
	AUC3346	JET LEVER, front	1	TD, TF
60	372-580	ANCHOR CLIP, slow-running control	1	TB, TC
61	AUC2381	CLEVIS PIN, short	a/r	
62	AUC2108	CLEVIS PIN, long	a/r	
63	372-590	LEVER, slow-running	1	TB, TC
64	372-600	SPRING, slow-running	1	
65	ACC5062K	CABLE STOP SET, slow-run & choke	1/2	
66	AED381	WASHER, plain	1/2	TB, TC (TC uses 2)
67	GHF200	NUT	1/2	
68	370-840	LINK, between jet levers	1	
69	372-010	LINK, throttle	1	
70	433-550	BRACKET, throttle spring, on starter	1	TB, TC, TD, TF
71	329-310	SPRING, throttle return	1	
72	375-078*	SPLIT PIN SET, (8 pins)	1	
	375-218	REBUILD KIT, carburettor, 1 1/4" carb	2	TB, TC, TD
	375-258	REBUILD KIT, carburettor, 1 1/2" carb	1	TD MKII
	375-228	REBUILD KIT, carburettor, 1 1/2" carb.	1	TF
	298-008*	GASKET SET	1	TB, TC
	298-108*	GASKET SET	1	TD
	298-208*	GASKET SET	1	TD MKII, TF
73	294-600*†	GASKET, carb. to filter	2	TB, TC, TD
	12G2125*†	GASKET, carb. to filter	2	TD MKII, TF
74	1G2624*†	GASKET, carb. to manifold	2	TA, TB, TC, TD
	AEH551*†	GASKET, carb. to manifold	2/4	TD MKII, TF (TF uses 4)
75	AHH5713	SPACER, carburettor	2	TF

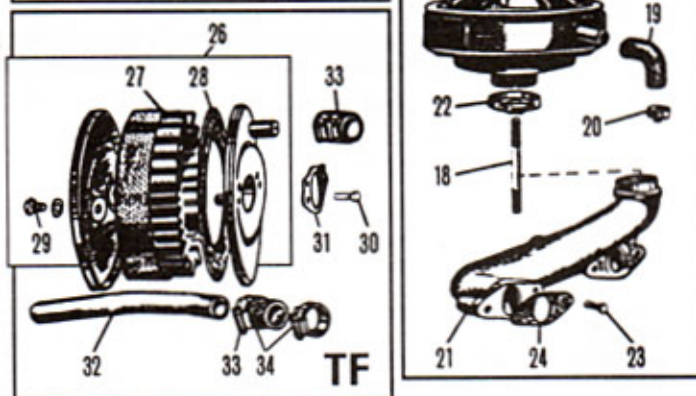
Note: Rebuild kits also include a jet adjustment spanner as well as all items marked (*). Gasket kits include all items marked (†). All our kits service two carbs.



TA



TB, TC



TD

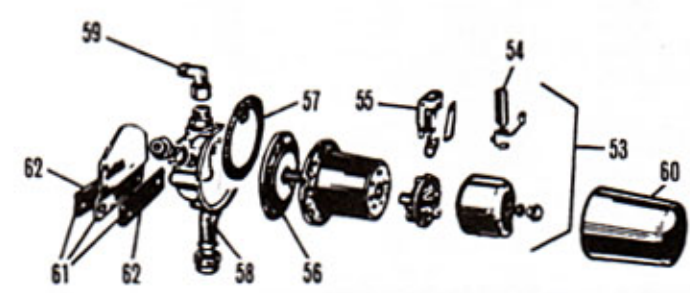
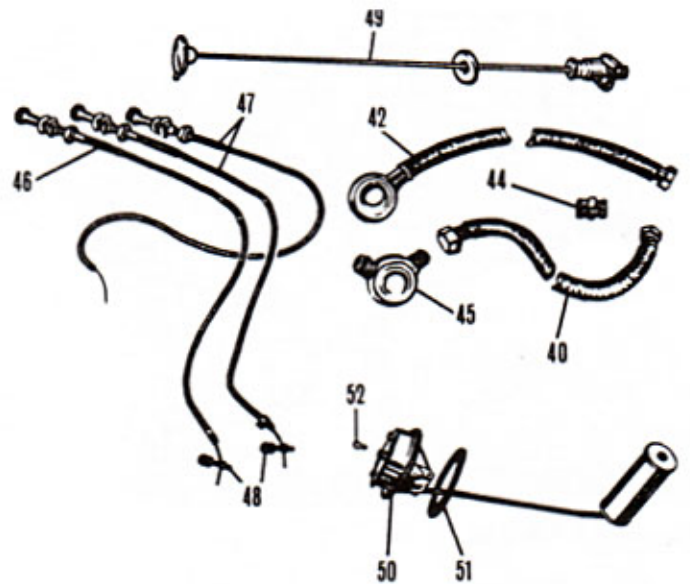


TF

Air Cleaners & Fittings (All Models)

See also 'Performance & Tuning' section in Accessories.

Ill. No	Part Number	Description	Qty. Req.	Details
1	372-490	AIR CLEANER CANISTER	1	
2	372-495	AIR CLEANER MANIFOLD	1	TA
3	CS4038	CLAMP, manifold to canister	1	
4	372-150	AIR CLEANER CANISTER	1	
5	370-918	BRACKET SET, mounting, (2 brackets)	1	
6	372-145	MANIFOLD SET, air inlet	1	
7	280-175	COLLAR, air inlet manifold	1	
8	372-155	CLAMP, inlet manifold collar	1	TB, TC
9	CS4038	CLAMP, manifold to canister	1	
10	320-290	BOLT, carb. to air cleaner	4	
11	294-600	GASKET, carb. to air cleaner	2	
12	280-160	GROMMET, filter to rocker cover	1	
13	215-200	AIR FILTER DECAL	1	
14	370-900	BRACKET, starter & choke cable	1	
16	373-225	AIR CLEANER CANISTER	1	
17	373-340	WING NUT, air cleaner stud	1	
18	373-350	STUD, air cleaner mounting	1	
19	280-180	ELBOW, filter to rocker cover, rubber	1	
20	326-260	CLAMP, rubber elbow	2	TD
21	373-335	MANIFOLD, air inlet	1	
22	326-290	CLAMP, manifold to cleaner	1	
23	320-290	BOLT, carb. to air cleaner	4	
24	294-600	GASKET, carb. to air cleaner	2	
	1262125	GASKET, carb. to air cleaner	2	TD MkII
26	372-165	AIR CLEANER SET, front & rear	1	(with breather)
27	372-175	ELEMENT, air cleaner	2	
28	AHHS441K	FELT PAD	4	
29	320-360	BOLT, carb. to air cleaner	4	TF
30	320-360	BOLT, air cleaner	4	
31	1262125	GASKET, carb. to air cleaner	2	
32	372-020	BREATHING PIPE, air cleaner	1	
33	375-118	HOSE SET, breather pipe, (2 hoses)	1	
34	MM326-250	CLAMP, breather pipe hose	4	



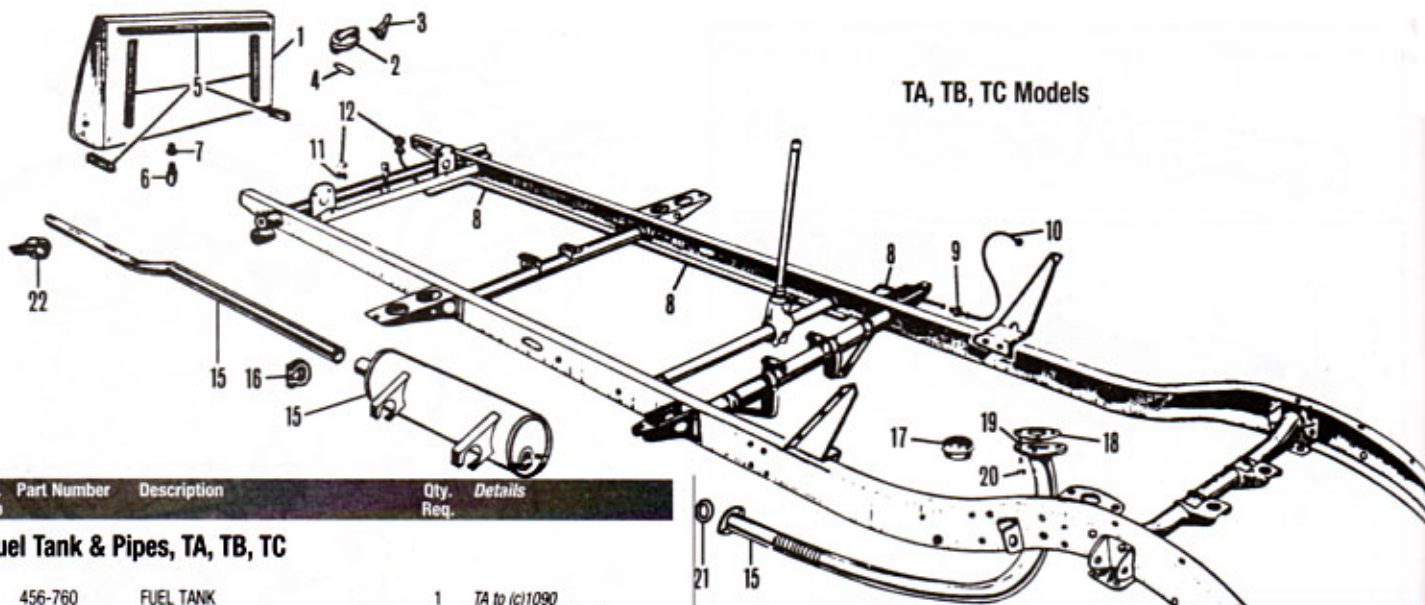
Ill. No	Part Number	Description	Qty. Req.	Details
---------	-------------	-------------	-----------	---------

Fuel Pump/Hoses & Control Cables (All Models)

See also 'Performance & Tuning' section in Accessories.

Our Flexible fuel hoses are braided Stainless Steel with a non-ageing Teflon interior, and they are guaranteed for life.

40	376-090	FUEL HOSE*, pump to carb (18")	1	TB, TC, TD MkII
	AAA294	FUEL HOSE*, pump to carb (16")	1/3	TA, TD (MkII uses 3), TF
42	376-055	FUEL HOSE*, carb. to carb (8")	1	TA
	376-080	FUEL HOSE*, carb. to carb (14")	1	TB, TC, TD
	ACH8977	FUEL HOSE*, carb. to carb (16") *Braided Stainless Steel.	1	TF
44	376-300	UNION, fuel pipe	1	TD MkII
45	AJC1832	BANJO, fuel pipe	1/2	(TD MkII uses 2)
46	MM331-390	SLOW-RUNNING CABLE	1	
47	331-380	CHOKE CABLE	1	TA, TB, TC
	331-370	STARTER CABLE	1	
	331-290	CHOKE CABLE	1	TD
	331-280	STARTER CABLE	1	
	331-410	CHOKE CABLE	1	TF
	331-400	STARTER CABLE	1	
48	ACC5062K	CABLE STOP	1/2	(TA, TB & TC use 2)
49	360-060	FUEL RESERVE TAP	1	TA, TB
50	360-050	FUEL TANK FLOAT UNIT	1	
51	2H1082	GASKET, float unit	1	TC, TD, TF
52	323-728	SCREW SET, float unit to tank	1	(screw set inc. 6 screws)
53	AUA25	FUEL PUMP, SU	1	TA, TB, TC, TD, TF to (j)1509
	AZX1332	FUEL PUMP, SU	1	TF from (j)1510
54	CZX1005	CONDENSER, fuel pump	1	rear mounting
	AUB6113	POINT SET SU (single point)	1	alternatives
	AUB6106A	POINT SET, SU (twin point)	1	
56	WZX1710	DIAPHRAGM, fuel pump	1	TA, TB, TC, TD, TF to (j)1509
57	AUA4082	GASKET, fuel pump body	1	
58	AUA1464	FILTER SCREEN, fuel pump	1	all models
59	MM375-038	ELBOW, fuel pump outlet	1	
60	ACG5147	RUBBER BOOT, weather protection	1	TF (optional)
61	377-278	MOUNTING KIT, fuel pump	1	TD MkII
	AAA1477K	MOUNTING KIT, fuel pump	1	TD, TF to (e)1509
	377-268	MOUNTING KIT, fuel pump	1	TF from (e)1510
62	AAA260C	PAD SET, fuel pump mounting	1	TD, TF



TA, TB, TC Models

Fuel Tank & Pipes, TA, TB, TC

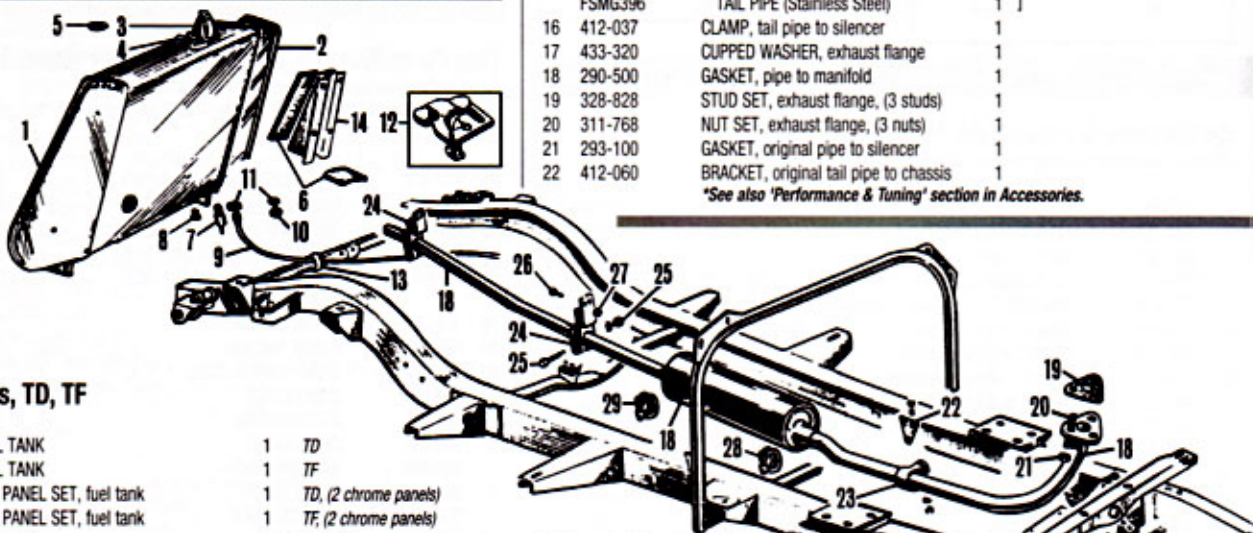
iii. No	Part Number	Description	Qty. Req.	Details
1	456-760	FUEL TANK	1	TA to (c)1090
	456-765	FUEL TANK	1	TA From (c)1091, TB
	456-770	FUEL TANK	1	TC
2	407-090	FUEL CAP, original type, reproduction	1	
3	407-105	RELEASE CLIP, fuel cap	1	
4	293-500	GASKET, fuel cap (for original cap)	1	
5	280-928	PAD SET, fuel tank to frame	1	(5 rubber pieces)
6	376-665	FUEL LINE ADAPTOR with filter	1/2	TA, TB (TB uses 2)
7	378-520	FILTER SCREEN (must be soldered into fuel tank adaptor)	1	
8	376-770	FUEL PIPE, tank to union	1	
9	376-300	UNION (between fuel pipes)	1	
10	376-780	FUEL PIPE, union to pump	1	
11	AEK122	DRAIN PLUG, fuel tank	1	
12	AUC2141	WASHER, fuel pipe & drain plug	2	

Exhaust System (Stainless Steel) Mild steel systems are no longer available.

iii. No	Part Number	Description	Qty. Req.	Details
15	454-518	EXHAUST SYSTEM* includes silencer, front & rear pipes	1	TA (original engine only)
	454-508	EXHAUST SYSTEM* includes silencer, front & rear pipes	1	TB, TC
	FSMG393	FRONT PIPE (Stainless Steel)	1	
	FSMG395	SILENCER (Stainless Steel)	1	TA
	FSMG396	TAIL PIPE (Stainless Steel)	1	
	FSMG394	FRONT PIPE (Stainless Steel)	1	
	FSMG395	SILENCER (Stainless Steel)	1	TB, TC
	FSMG396	TAIL PIPE (Stainless Steel)	1	
16	412-037	CLAMP, tail pipe to silencer	1	
17	433-320	CUPPED WASHER, exhaust flange	1	
18	290-500	GASKET, pipe to manifold	1	
19	328-828	STUD SET, exhaust flange, (3 studs)	1	
20	311-768	NUT SET, exhaust flange, (3 nuts)	1	
21	293-100	GASKET, original pipe to silencer	1	
22	412-060	BRACKET, original tail pipe to chassis	1	

*See also 'Performance & Tuning' section in Accessories.

TD, TF Models

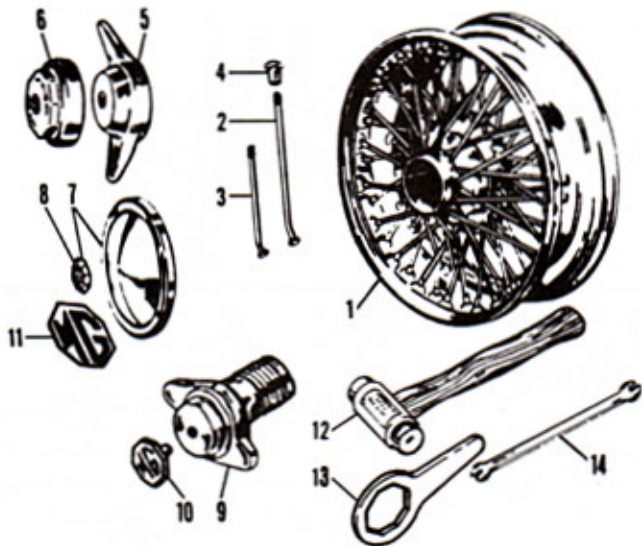


Fuel Tanks & Pipes, TD, TF

1	456-785	FUEL TANK	1	TD
	456-795	FUEL TANK	1	TF
2	451-648	END PANEL SET, fuel tank	1	TD, (2 chrome panels)
	451-658	END PANEL SET, fuel tank	1	TF, (2 chrome panels)
3	407-090	FUEL CAP	1	TC type
4	407-105	RELEASE CLIP, fuel cap	1	
5	293-600	GASKET, fuel cap	1	(for original cap)
6	281-798	PAD SET, fuel tank to chassis	1	(4 rubber pads)
7	376-665	ADAPTOR, fuel pipe (inc. filter)	1	
8	378-520	FILTER SCREEN (screen must be soldered into fuel tank adaptor)	1	
9	454-080	FUEL PIPE, tank to pump	1	TD, TF to (e)1509
	454-075	FUEL PIPE, tank to 2nd pump	1	TD MkII
	454-085	FUEL PIPE, tank to pump	1	TF from (e)1510
	454-095	FUEL PIPE, pump to front fuel pipe	1	
10	AEK122	DRAIN PLUG, fuel tank	1	
11	AUC2141	WASHER, fuel pipe & drain plug	2	
12	326-326	CHASSIS CLIP, fuel & brake pipe	10	original type
13	ACH8650	STRAP, fuel & brake pipes	6	
14	449-595	BRACKET, tank to body support	2	TD
	449-600	BRACKET, tank to body support	2	TF
Ni	454-080	FUEL PIPE, tank to pump	1	TD, TF to (e)1509
	454-075	FUEL PIPE, tank to 2nd pump	1	TD MkII

Exhaust System (Stainless Steel) Mild steel exhaust systems are no longer available.
See also 'Performance & Tuning' section in Accessories.

18	454-528	EXHAUST SYSTEM includes silencer, front & rear pipes	1	
	FSMG594	FRONT PIPE (Stainless Steel)	1	
	FSMG595	SILENCER (Stainless Steel)	1	
	FSMG596	TAIL PIPE (Stainless Steel)	1	
19	290-500	GASKET, pipe to manifold	1	
20	328-808	STUD SET, 3 studs	1	exhaust flange
21	311-768	NUT SET, 3 nuts	1	
22	412-010	BRACKET, front exhaust pipe	1	on gearbox
23	412-070	CLAMP, front pipe to bracket	1	
24	412-040	HANGER, tailpipe securing	2	(1 of each)
25	321-678	BOLT & NUT SET, tailpipe hanger	2	
26	AJD61552	BOLT, tailpipe hanger securing	4	
27	AJD8104	NUT, for hanger bolt	4	
28	GEX9008	CLAMP, front pipe to silencer	1	
29	GEX9007	CLAMP, tail pipe to silencer	1	



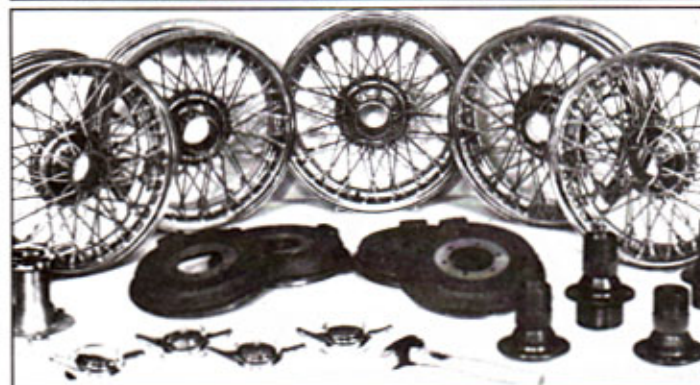
iii. Part Number No	Description	Qty. Req.	Details
---------------------	-------------	-----------	---------

Road Wheels

See also Accessories

1	454-607 454-600 454-795 WWP450 WWC450 WWP452 WWP452	WIRE WHEEL, painted WIRE WHEEL, painted WIRE WHEEL, Chrome WIRE WHEEL, painted WIRE WHEEL, Chrome WIRE WHEEL, painted WIRE WHEEL, Chrome	5 5 5 5 5 5 5	TA to (c)1769, outer laced 19" TA from (c)1770. TB, TC, centre laced 19" TD, TF 48 spoke wheel TD, TF 60 spoke wheel
2	200-010 7H1805 7H1805CP 7H8619 7H8619CP	SPOKE, standard, long-outer SPOKE, standard, long-outer SPOKE, Chrome, long-outer SPOKE, standard, long-outer SPOKE, Chrome, long-outer	80 80 80 100 100	TA, TB, TC, centre laced 19" TD, TF 48 spoke wheel TD, TF 60 spoke wheel
3	200-020 7H1806 7H1806CP 7H8620 7H8620CP	SPOKE, standard, short-inner SPOKE, standard, short-inner SPOKE, Chrome, short-inner SPOKE, standard, short-inner SPOKE, Chrome, short-inner	160 160 160 200 200	TA, TB, TC, centre laced 19" TD, TF 48 spoke wheel TD, TF 60 spoke wheel
4	7H1709 37H3651	NIPPLE, (standard) NIPPLE, (Chrome)	a/r a/r	
5	AHH7317A AHH7318A	WHEEL SPINNER, RH, 2-eared WHEEL SPINNER, LH, 2-eared	2 2	with MG motif
6	AHH7315A AHH7316A	WHEEL SPINNER, RH, octagonal WHEEL SPINNER, LH, octagonal	2 2	
7	ACH8304 200-235	HUB CAP, includes medallion HUB CAP (drilled), less medallion	5 5	TD, TF TD, TF (not drilled)
8	200-277	MEDALLION, hub cap	5	TD, TF
9	200-250 200-260	WHEEL SPINNER, spare wheel WHEEL SPINNER, spare wheel	1 1	TA, TB, TC TF
10	AAAS23 201-030	MEDALLION, spare wheel MEDALLION, spare wheel, wire	1 1	TA, TB, TC, brown & cream TF, black & white
11	AAAS021	MEDALLION, spare wheel, steel	1	
12	88G329 C27290	WHEEL HAMMER, lead/lead WHEEL HAMMER, leather/copper	1 1	
13	AHH5839	SPANNER, for octagonal wheel spinner	1	
14	MM385-800 CCWP1	SPOKE SPANNER WHEEL PAINT, silver	1 a/r	

See also Accessories for full range of specialist and roadside tools.



iii. Part Number No	Description	Qty. Req.	Details
---------------------	-------------	-----------	---------

Wire Wheel Conversion Kits for TD & TF models

The following wire wheel conversion kits are designed to convert your disc wheeled TD or TF to wire wheels. Each kit includes four spined hubs, four brake drums, one spare wheel adaptor with spinner (to convert spare wheel carrier to wire wheels), and all the studs, nuts, etc. for an easy installation. These kits will enhance the appearance of any TD and are identical to the original factory option for the TF.

Note: Our conversion kits do not include wheel or spinners.

111-518	WIRE WHEEL CONVERSION KIT	1	TD
111-528	WIRE WHEEL CONVERSION KIT	1	TF
AHH7317A	WHEEL SPINNER, RH, 2-eared	2	with MG motif
AHH7318A	WHEEL SPINNER, LH, 2-eared	2	
AHH7315A	WHEEL SPINNER, RH, octagonal	2	
AHH7316A	WHEEL SPINNER, LH, octagonal	2	
WWP450	WIRE WHEEL, painted	5	15" 48 spoke
WWC450	WIRE WHEEL, Chrome	5	
WWP452	WIRE WHEEL, painted	5	15" 60 spoke
WWC452	WIRE WHEEL, Chrome	5	

Roadside Tools & Jack

See also Accessories

Vintage Screw-Jack

These vintage screw-jacks are identical to the factory originals.

Ideal not only for jacking up your T type, but also for holding that wayward garage door open!

NI AH5124K Jack & Handle (Accessory) a/r

Tool Roll

Our tool roll is a superb reproduction of the original. Constructed of heavy duty (original) type Tan canvas, it will keep your tools together.

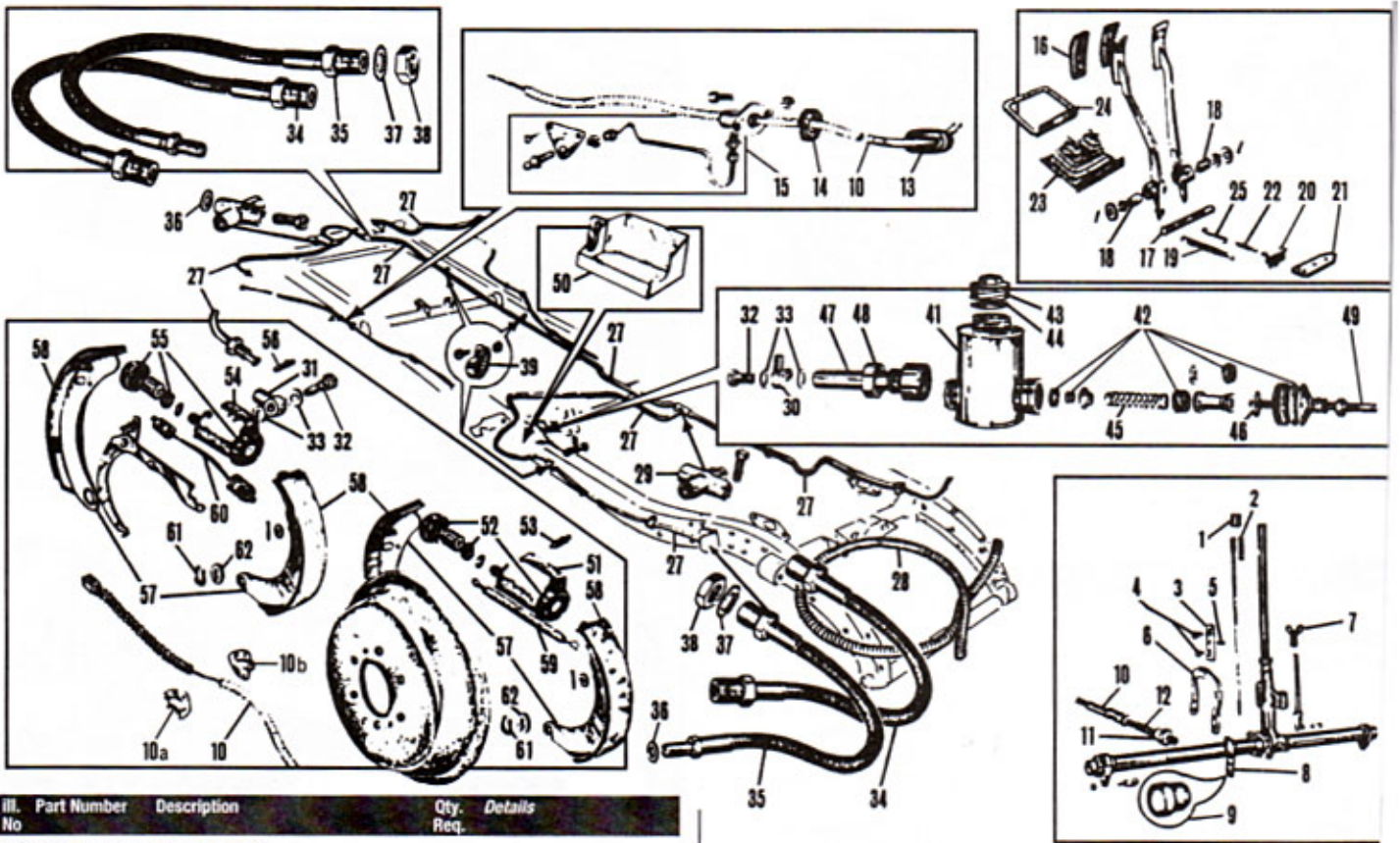
NI 385-910 Tool Roll (Accessory) a/r

Tyre Levers

These high quality tyre levers are virtually identical as those supplied in the tool kit with new vehicles.

NI AJU281K Tyre Levers (Accessory) 1pr





Ill. No	Part Number	Description	Qty. Req.	Details
---------	-------------	-------------	-----------	---------

Brake System, TA, TB, TC

See Accessories for our full range of brake fluids & specialist brake tools.

Handbrake, Pipes & Hoses

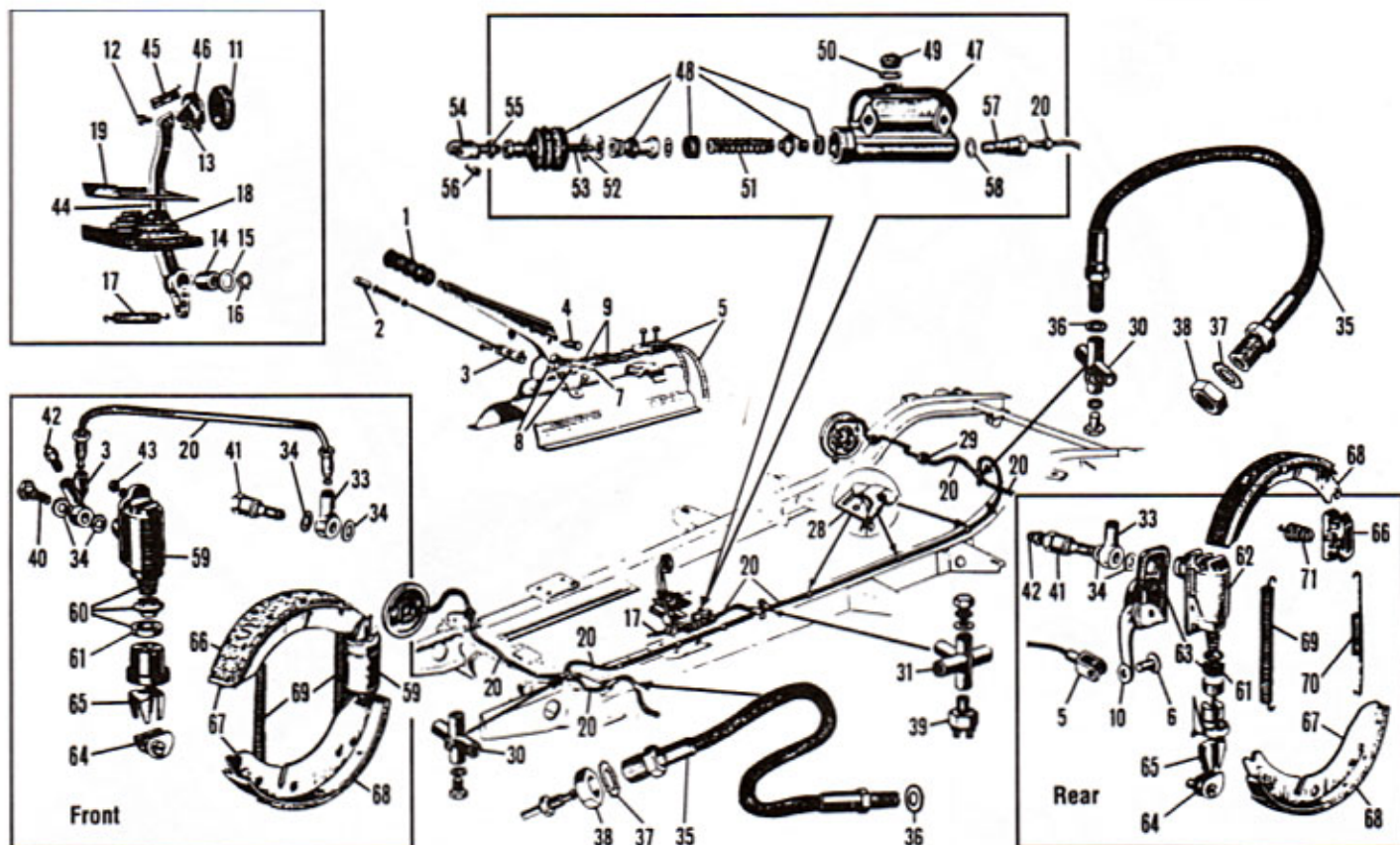
Ill. No	Part Number	Description	Qty. Req.	Details
1	181-910	KNOB, handbrake lever, chrome	1	
2		SPRING, handbrake knob	1	
3	181-420	PAWL, handbrake	1	
4	181-415	BOLT, stepped	2	
5		STUD for pawl	1	
6	181-430	RATCHET, handbrake	1	
7	181-435	WING NUT, handbrake adjusting	1	
8		STOP, handbrake lever	1	
9	280-285	RUBBER BUFFER, stop	1	
10	331-050	CABLE, handbrake, complete	2	
10a	180-155	CLAMP, handbrake cable (inner)	2	
10b	180-165	CLAMP, handbrake cable (outer)	2	
11	311-520	NUT, cable adjusting	2	
12	ACH8508	SPRING, cable adjusting nut	2	
13	280-670	GROMMET, oval	2	cable to chassis
14	GHF802	GROMMET, round	2	
15	181-920	LUBRICATOR	2	handbrake cable
16	280-440	PAD, brake & clutch	2	
17	190-480	PEDAL SHAFT, brake & clutch	1	
18	330-050	BUSH, brake & clutch pedal	2	
19	181-930	SPRING, brake pedal	1	
20	141-600	SWITCH, brake light	1	
21	181-945	MOUNTING BRACKET	1	brake light switch
22	150-700	SPRING, brake light switch	1	
23	280-420	FUME EXCLUDER, rubber	1	brake & clutch pedal
24	406-700	RETAINING PLATE, pedal excluder	1	
25	181-940	WIRE CLIP, brake spring	1	
27	183-148	BRAKE PIPE SET, (with protection coil)	1	TA, TB
	183-138	BRAKE PIPE SET, (with protection coil)	1	TC
28	182-730	BRAKE PIPE PROTECTION COIL	1	stainless steel
29	180-070	UNION, 3-way, front & rear	2	
30	180-060	BANJO, rear master cylinder	1	TC
31	3H544	BANJO, brake pipe to rear cylinder	2	
32	11K8276	BANJO BOLT	3	
33	324-998	WASHER SET, banjo fittings	3	(2 washers)
34	180-530	BRAKE HOSE, front & rear	3	TA, TB
35	180-860	BRAKE HOSE, front & rear	3	
36	3H550	WASHER, brake hose, copper	3	
37	WE600101	LOCK WASHER, brake hose	3	TC
38	2K8686	NUT, brake hose	3	
39	CP105081	CHASSIS CLIP, brake pipe	a/r	

Ill. No	Part Number	Description	Qty. Req.	Details
---------	-------------	-------------	-----------	---------

Brake Shoes & Cylinders

	180-005**	MASTER CYLINDER, complete	1	TA, TB
	180-608**	MASTER CYLINDER, complete	1	TC
41	180-601	MASTER CYLINDER (less rear extension & valve)	1	
42	180-900	REPAIR KIT, master cylinder	1	
43	180-310	FILLER CAP, master cylinder	1	
44	180-660	GASKET, filler cap	1	
45	180-120	SPRING, piston	1	
46	326-080	CIRCLIP, master cylinder	1	
**Complete master cylinders include item numbers 41 to 46.				
47	180-015	REAR EXTENSION, master cylinder	1	TA, TB
	181-950	REAR EXTENSION, master cylinder	1	TC
48	311-365	NUT, rear extension	1	
49	181-400	PUSH ROD, master cylinder	1	with ball joint
50	181-960	HEAT SHIELD, master cylinder	1	
51	180-540	WHEEL CYLINDER, front	2	TA, TB
	180-590	WHEEL CYLINDER, front	2	TC
52	180-930	REPAIR KIT, front cylinder	2	
53	606733A	BLEED SCREW, front cylinder	2	
	180-865*	SPRING & EXPANDER	2	front
54	180-580	WHEEL CYLINDER, rear	2	
55	180-920	REPAIR KIT, rear cylinder	2	
56	180-110	BLEED SCREW, rear cylinder	2	
	180-855*	SPRING & EXPANDER	2	rear
57		BRAKE SHOE SET	2	
58	182-240	LINING SET, brake shoe	2	4 linings for 2 wheels
59	181-410	SPRING, front brake shoes	2	
60	181-390	SPRING, rear brake shoes	2	
61	326-130	CLIP, brake shoe anchor	4	
62	180-025	PIVOT SPRING, front & rear brake shoes	4	

*These assemblies replace the separate internal spring & star shaped internal expanders used on front and rear TA, TB, TC wheel cylinders.



Ill. No	Part Number	Description	Qty. Req.	Details
---------	-------------	-------------	-----------	---------

Brake System, TD, TF

See Accessories for our full range of brake fluids & specialist brake tools.

Handbrake, Pipes & Hoses

1	181-360	HANDLE, handbrake lever	1	
2	ACC8596	BUTTON, brake release, chrome	1	
3	181-320	PAWL, handbrake ratchet	1	
4	181-440	RIVET & WASHER	1	
5	331-060	CABLE, handbrake	2	
6	CLZ515	PIN, cable to rear cylinder	2	
7	181-310	BAR, cable equalising	1	
8	311-520	NUT, handbrake adjusting	2	
9	ACH8508	SPRING, handbrake adjusting nut	2	
10	27H7395	LEVER, handbrake	2	(inc. with rear wheel cyl.)
11	ACAS359	PAD, brake & clutch	2	
12	320-370	BOLT, brake & clutch pedal	2	RHD
13	AJD8105Z	NUT, pedal bolt	2	LHD
14	330-100	BUSH, brake pedal & clutch pedal	2	
15	330-100	BUSH, brake pedal	1	
16	324-430	WASHER, pedal spacing	2	
17	326-050	CIRCLIP, pedal shaft	1	
18	329-320	SPRING, brake pedal	1	
19	280-420	FUME EXCLUDER, rubber	1	brake & clutch pedal
20	406-700	RETAINING PLATE, pedal excluder	1	
28	183-158	BRAKE PIPE SET	1	RHD
29	183-168	BRAKE PIPE SET	1	LHD
29	326-326	CHASSIS CLIP, brake pipe	a/r	original type
30	ACH8650	STRAP, brake and fuel pipes	6	
31	27H7165	UNION, 3-way	2	front & rear
32	180-700	UNION, 4-way	1	
33	180-680	BANJO, left	1	front wheel cylinder
34	180-690	BANJO, right	1	
35	27H7189	BANJO	4	front & rear wheel cylinder
36	324-908	WASHER SET, banjo fittings	1	(12 copper washers)
37	180-840	BRAKE HOSE, front & rear	3	
38	324-898	WASHER SET, brake hose	1	(3 copper washers)
39	WE600101	LOCK WASHER, brake hose	3	
40	2K8686	NUT, brake hose	3	
41	C16062A	SWITCH, brake light	1	on 4-way fitting
42	7H7847	BANJO BOLT, front wheel cylinder	2	
43	27H7167	ADAPTOR, front & rear wheel cylinder	4	

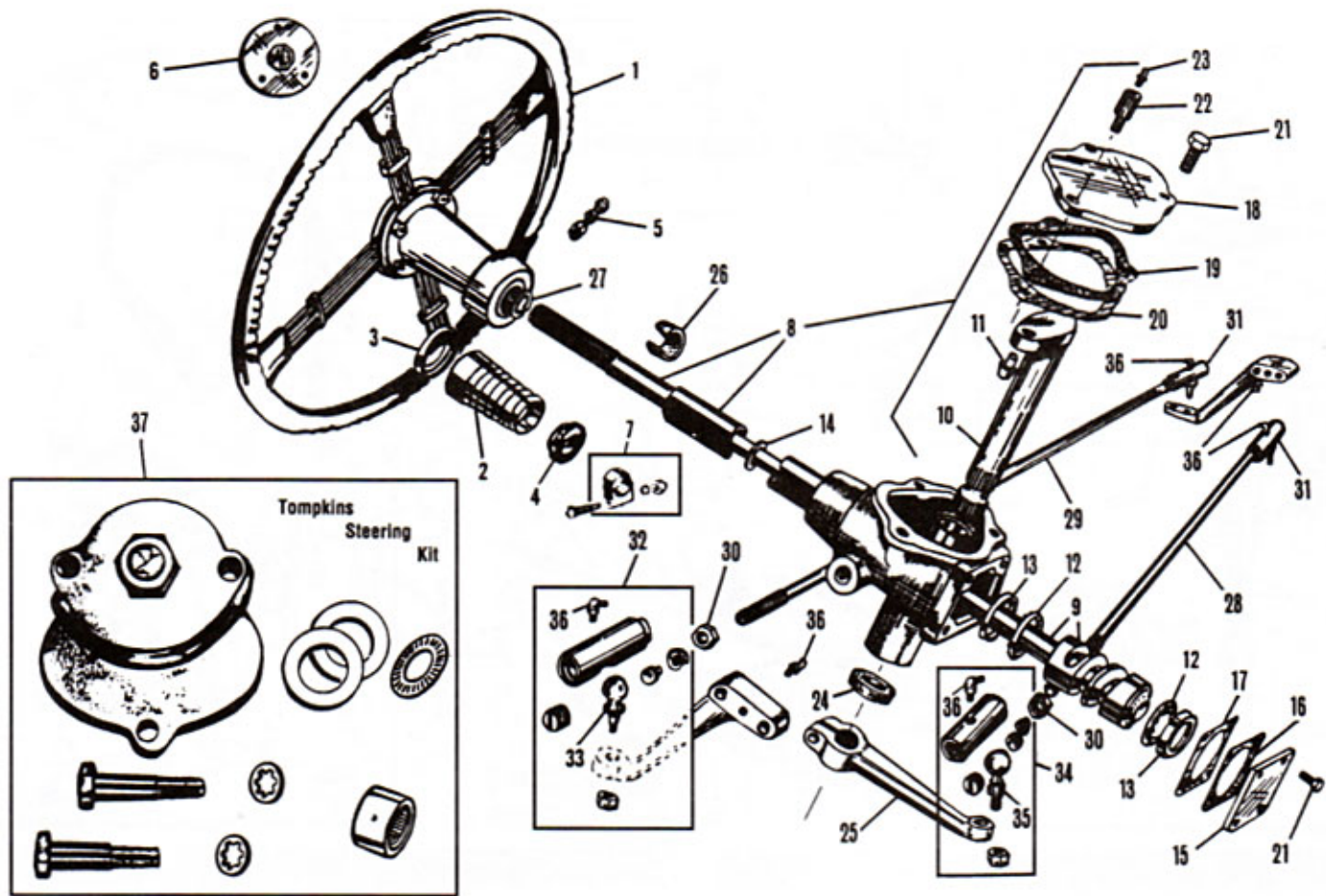
Ill. No	Part Number	Description	Qty. Req.	Details
---------	-------------	-------------	-----------	---------

42	27H7166	BLEED SCREW, front & rear	4	
43	AJD8105Z	NUT	8	
44	406-710*	BRAKE PEDAL, RHD	1	
45	406-760	PAD EXTENSION	1	
46	406-750	PEDAL PAD, Alloy	1	

*For LHD to RHD conversion parts, see pages ?? and/or ??.

Brake Shoes & Cylinders

47	LX88187	MASTER CYLINDER	1	
48	180-910	REPAIR KIT, master cylinder	1	
49	180-250	FILLER CAP, master cylinder	1	
50	180-220	WASHER, filler cap	1	
51	180-120	SPRING, master cylinder piston	1	
52	326-090	CIRCLIP, piston stop	1	
53	180-320	PLUNGER, master cylinder	1	less clevis
54	180-485	FORK, master cylinder plunger	1	
55	AJD8206Z	NUT, master cylinder plunger	1	
56	325-160	PIN, master cylinder fork	1	
57	180-710	ADAPTOR, master cylinder	1	
58	324-730	WASHER, master cylinder adaptor	1	
59	LX30284	WHEEL CYLINDER, front	4	
60	180-448	REPAIR KIT, front axle set	1	
61	7H7923	CUP ONLY	4	
62	GWC1111	WHEEL CYLINDER, rear	2	(does not include boot)
63	8G8243	REPAIR KIT, rear cylinder	2	(boot & cup only)
64	7H7943	BOOT, handbrake lever	2	
65	7H7931	ADJUSTER, brake shoe	6	
66	AAA421	MASK, brake shoe adjuster	6	
67	7H7931K	ADJUSTER KIT	1	includes items 64 & 65
68	7H7932	ABUTMENT, rear brake shoe	2	
69	182-130	BRAKE SHOE SET, axle set	2	
70	182-270	LINING SET	2	4 linings for 2 wheels
71	181-370	SPRING, brake shoe return	6	front & rear
72	181-380	SPRING, brake shoe return	2	rear
73	AAA4714	SPRING, brake shoe steady	4	rear (except early TD)
74	NI	BRAKE DRUM, front (Steel wheels)		for full details please refer to 'Front Suspension'
75	NI	BRAKE DRUM, front (Wire wheels)		
76	NI	BRAKE DRUM, rear (Steel wheels)		for full details please refer to 'Rear Axle'
77	NI	BRAKE DRUM, rear (Wire wheels)		



Steering, TA, TB, TC

See also Accessories

These 'Brooklands' vintage steering wheels - complete with crested centrepiece and clamp bolt assembly, were available as optional equipment when the TC was new. The classic design was in demand by MG enthusiasts going well back to the 1930s.

Ill. No	Part Number	Description	Qty. Req.	Details
1	454-225	STEERING WHEEL, Brooklands (Black) (key-way fitting)	1	TA to (c)2681
	454-240	STEERING WHEEL, Brooklands (Black) (spline fitting)	1	TA from (c)2682 TB, TC
2	106163	SPRING COVER, upper shaft, (stainless)	1	
3	108611	CAP, spring cover, (chromed)	1	spline fitting only
4	262-290	WASHER	1	
5	262-300	CLAMP BOLT, steering wheel	1	
6	262-310	CENTRE PIECE, steering wheel	1	spline fitting only
7	AHH6005	CLAMP ASSEMBLY, (chromed)	1	
8	453-120*	STEERING BOX, reconditioned	1	
*We can only recondition your old steering box, new and exchange units are no longer available.				
9	453-110	COLUMN & CAM	1	
	453-107	COLUMN	1	spline fitting only
	260-085	CAM, worm only	1	
10	260-070	SECTOR SHAFT, includes peg	1	
11	501568	PEG, sector shaft	1	
12	060371	BEARING	2	
13	060373	BEARING CUP	2	
14	060586	RING, anti-rattle, rubber	1	
15	260-090	END PLATE	1	
16	060370	GASKET, end plate	1	
17	060367	SHIM, end plate, 0.003"	a/r	
	060368	SHIM, end plate, 0.005"	a/r	
	060369	SHIM, end plate, 0.010"	a/r	
18	260-100	TOP PLATE	1	
19	293-200	GASKET, top plate	1	

Ill. No	Part Number	Description	Qty. Req.	Details
20	260-010	SHIM, top plate, 0.003"	a/r	
	260-020	SHIM, top plate, 0.005"	a/r	
	260-030	SHIM, top plate, 0.010"	a/r	
21	320-360	BOLT, cover plates	6	
22	262-330	HOLLOW BOLT, top cover plate	1	
23	328-520	GREASE NIPPLE, for gear oil	1	
24	120-020	SEAL, modern type	1	
25	453-130	DROP ARM	1	
26	260-180	FELT BUSH, upper column (original)	1	
27	326-060	CIRCLIP, upper column	1	
28	451-230	DRAG LINK TUBE	1	less ends
29	453-290	TIE ROD TUBE	1	
30	311-400	LOCK NUT, RH thread	2	
	311-410	LOCK NUT, LH thread	2	
31	261-238	TIE ROD END	2	LH (LH thread)
32	261-248	TIE ROD END	1	RH (RH thread)
33	261-260	BALL, tie rod end	3	
34	261-258	DRAG LINK END ASSEMBLY, RH	1	
35	261-270	BALL, drag link end	1	
36	UHN405	GREASE NIPPLE	4	tie rod ends & drag link end

Tompkins Steering Kit

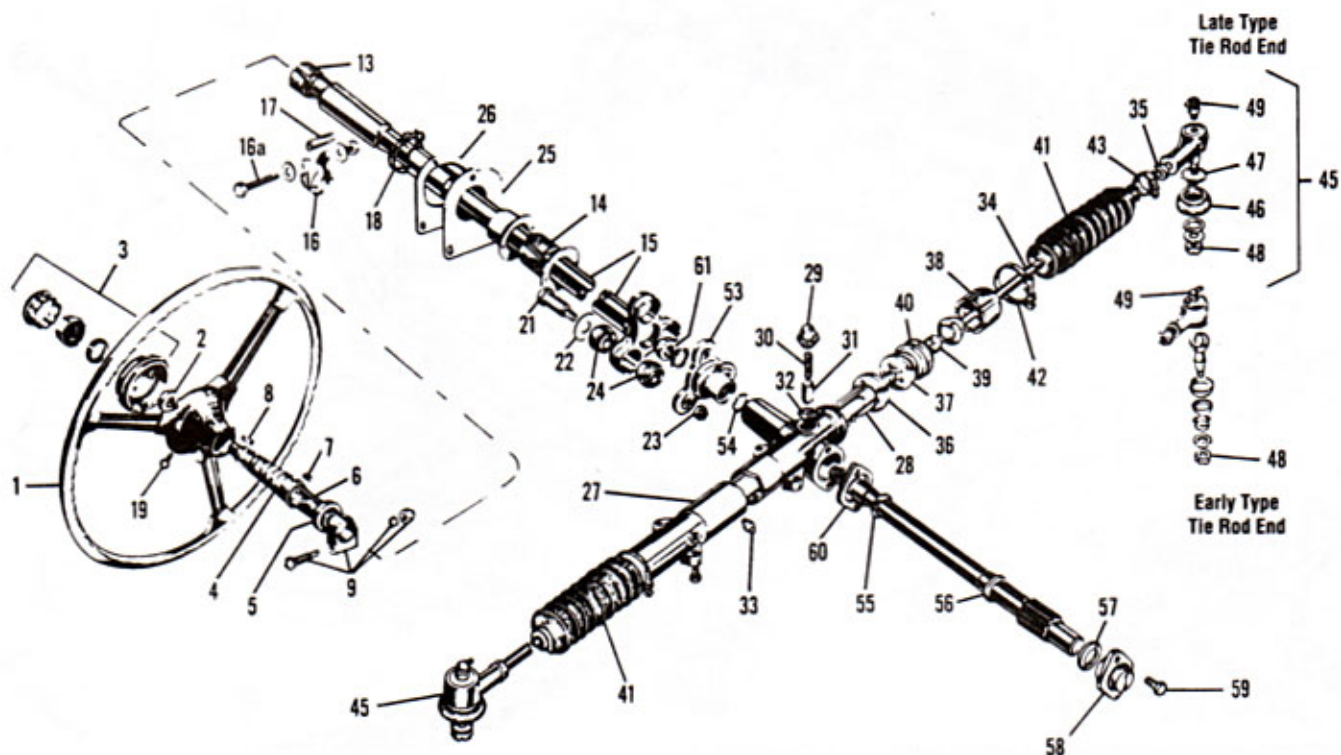
The Tompkins steering kit consists of a machined & polished aluminium casting which houses a roller thrust bearing and spacer. This replaces the steel thrust plate on top of the steering gear, thereby eliminating all drag at this critical point and, at the same time provides an easy and extremely accurate adjustment of the sector shaft.

Also included (as well as concise installation instructions) is a needle bearing which replaces the felt bush at the top of the column.

While we have supplied hundreds of these kits to (very) satisfied customers, we must emphasise that unless the entire steering and front end are in perfect condition the kit will effect only a slight improvement.

With a properly set up front end, and the addition of the Tompkins steering kit, your TA, TB or TC will be a very pleasant car to drive.

37	260-118	TOMPKINS STEERING KIT	1	
----	---------	-----------------------	---	--



Steering, TD, TF

See also Accessories

Steering Column

We are pleased to offer the first and only true original type steering wheel available since the last TF rolled off the assembly line in 1955! 'Goldish-Tan Pearlescent' trim with metallic bronze hub. (Don't be misled by the mottled brown rim most people consider original)

The centrepiece also matches the factory colour and fit.

Ill. No	Part Number	Description	Qty. Req.	Details
1	454-230	STEERING WHEEL, original type	1	
2	311-470	NUT, steering wheel	1	
3	262-340	CENTRE PIECE	1	
4	AAA1651	SPRING COVER, upper shaft, chrome	1	
5	AAA1650	CAP, spring cover, chrome	1	
6	262-350	ADJUSTING SHAFT	1	
7	AAA193	KEY, steering shaft	1	
8	327-090	KEY, steering wheel	1	
9	AAA192	CLAMP, column, chrome	1	(with nut, bolt & washer)
13	260-150	FELT BUSH, upper column	1	
14	260-200	FELT BUSH, lower column	1	
15		INNER COLUMN	1	
16	AHH6005	CLAMP, column	1	
16a	320-390	BOLT (5/16" x 1.5" UNF)	1	
16b	AJD8105Z	NUT	1	
17	AHH6006	DISTANCE PIECE, clamp	1	
18	CS4020	CLAMP, column excluder	1	
19	AJD2246	SCREW, centre piece assembly	1	
21	320-850	BOLT, column to flange	3	
22	324-560	WASHER, flange bolt	3	
23	311-155	NUT, flange bolt	3	
24	280-550	RUBBER BEARING	6	
25	454-040	EXCLUDER, steering column	1	Leather
26	263-105	PLATE, steering column excluder	1	

Rack & Pinion

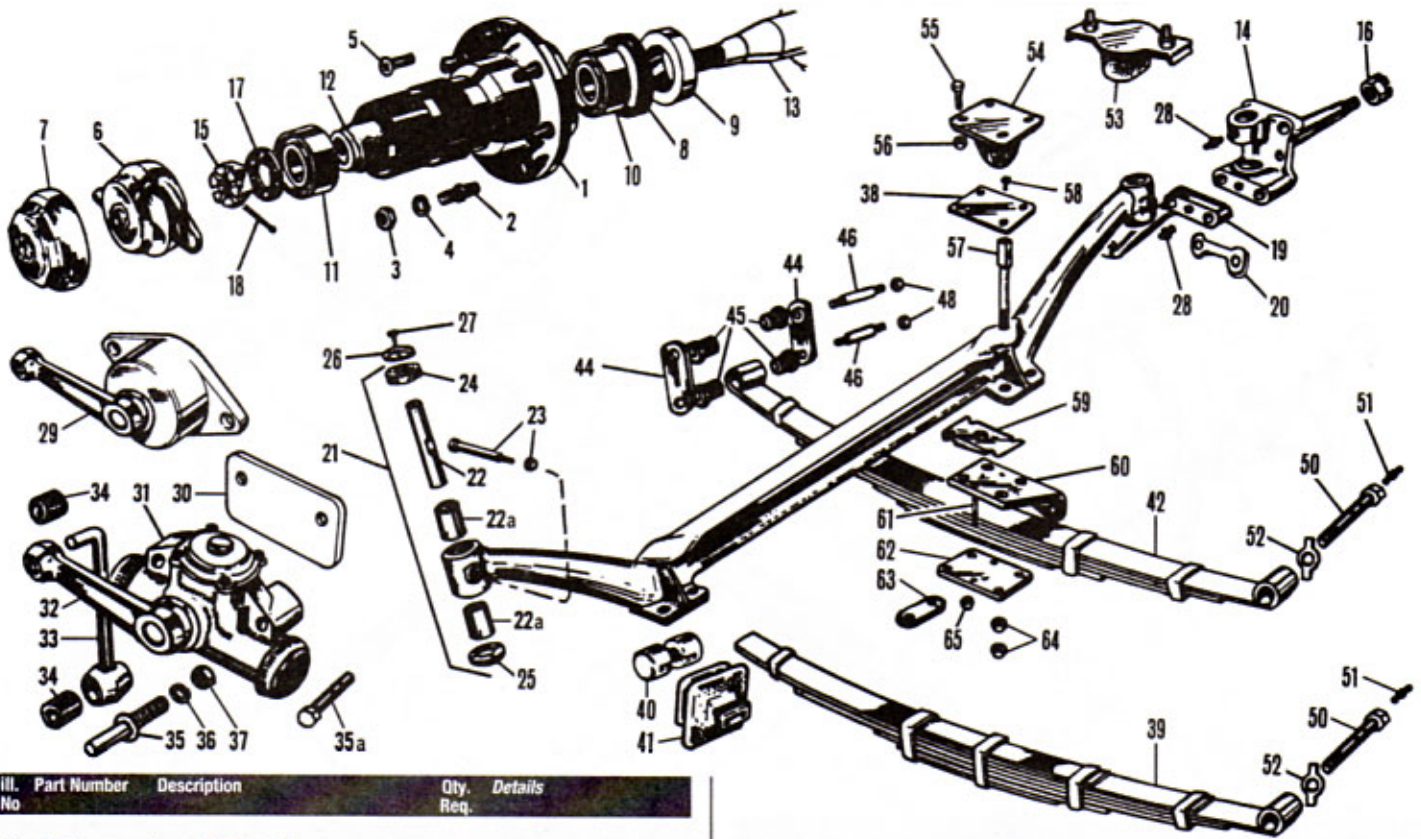
Ill. No	Part Number	Description	Qty. Req.	Details
27	263-135	STEERING RACK, RHD	1	less tie rods
28	262-408	RACK & PINION, RHD	1	
	262-418	RACK & PINION, LHD	1	
29	262-090	CAP, steering rack damper	1	
30	ACA5248	SPRING, steering rack damper	1	
31	ACA5244	DAMPER PAD, steering rack	1	

Ill. No	Part Number	Description	Qty. Req.	Details
32	ACA5249	SHIM, steering rack damper, 0.003"	a/r	
33	328-520	GREASE NIPPLE, steering rack	1	for gear oil
34		TIE ROD, steering	2	
35	311-360	LOCK NUT, tie rod	2	
36	ACA5247	LOCK WASHER, inner ball housing	2	
37	ACA6031	BALL HOUSING, male	2	
38	ACA5304	BALL HOUSING, female	2	
39	ACA5246	BALL SEAT	2	
40	ACA5301	BALL SEAT SHIM, 0.003"	a/r	
	ACA5302	BALL SEAT SHIM, 0.005"	a/r	
	ACA5303	BALL SEAT SHIM, 0.010"	a/r	
41	280-560	RACK GAITER	2	
42	ADG1682	CLAMP, rack seal, large	2	
43	ACH5854	CLAMP, rack seal, small	2	
45	7H3682	TIE ROD END	2	
46	7H3762	BOOT, tie rod end, rubber	2	
47	7H3565	CLIP, tie rod end boot	2	
48	GHF224	NUT, for replacement tie rod ends	2	
49	UHN405	GREASE NIPPLE, tie rod end	2	
53		FLANGE, pinion shaft	1	
54	326-050	CIRCLIP, pinion shaft	1	
55	AAA1335	SEAL, pinion shaft	1	
56	262-080	THRUST WASHER, top pinion	1	
57	AAA1336	THRUST WASHER, bottom pinion	1	
58	262-230	TAIL BEARING, pinion	1	
59	320-360	BOLT, tail bearing	1	
60	262-010	TAIL BEARING SHIM, 0.005"	a/r	
	AAA1334	TAIL BEARING SHIM, 0.007"	a/r	
61	311-570	NUT, pinion shaft	1	

Steering Conversion Parts - LHD to RHD (TD & TF)

NI	Part Number	Description	Qty. Req.	Details
NI	406-710	BRAKE PEDAL, RHD	1	
NI	406-720	CLUTCH PEDAL, RHD	1	
NI	406-770	ACCELERATOR PEDAL, RHD	1	
NI	406-730	PEDAL BOX, RHD	1	must be welded
NI	406-780	CHASSIS TUBE	1	through chassis
NI	263-135	STEERING RACK, RHD	1	Less track control arms
NI	233-570*	DASHBOARD FASCIA, plain	1	TD only
NI	233-580	DASHBOARD BACKING PANEL	1	

*For veneered dashboards, see page 70.



Ill. No	Part Number	Description	Qty. Req.	Details
---------	-------------	-------------	-----------	---------

Front Suspension, TA, TB, TC

1	081563	FRONT HUB, RH	1	
	0815643	FRONT HUB, LH	1	
2	328-850	STUD, front hub	12	
3	311-748	NUT SET, hub stud	1	(set of 12 nuts)
4	324-340	LOCK WASHER, hub stud	12	
5	323-748	SCREW SET, hub to drum	1	(set of 4 screws)
6	AHH7317A	WHEEL SPINNER, RH, 2-eared	1	
	AHH7318A	WHEEL SPINNER, LH, 2-eared	1	with MG motif
7	AHH7315A	WHEEL SPINNER, RH, octagonal	1	
	AHH7316A	WHEEL SPINNER, LH, octagonal	1	
8	120-500	OIL SEAL, front hub	2	
9	261-020	SPACER, oil seal	2	
10	533360A	BEARING, inner hub	2	
11	GHB176	BEARING, outer hub	2	
12	261-010	TUBE, bearing spacing	2	
13	261-135	STUB AXLE, RH (RH thread)	1	
14	261-145	STUB AXLE, LH (LH thread)	1	
15	311-370	NUT, RH, stub axle (RH thread)	1	
16	311-380	NUT, LH, stub axle (LH thread)	1	
17	324-440	WASHER, stub axle nut	2	
18	GHF503	SPLIT PIN	2	
19	261-140	STEERING ARM, LH	1	
	261-130	STEERING ARM, RH	1	
20	261-120	LOCK TAB	2	
21	261-068	KING PIN SET, (with top hat bush)	1	TA to axle no. 1500
	261-078	KING PIN SET, (as illustrated)	1	TA from axle 1501, TB, TC
22	261-087	KING PIN	2	
22a	330-130	BUSH (phosphorous bronze)	4	
23	261-097	COTTER PIN & NUT, king pin	2	
24	261-117	FELT WASHER, king pin	2	
25	261-107	THRUST WASHER, king pin	2	
26	261-060	RETAINER, felt washer	2	
27	AJD6155Z	BOLT, felt washer retaining	2	
28	UHN405	GREASE NIPPLE, king pin	4	
29	261-275	SHOCK ABSORBER, 'LUVAX', RH, new	1	TA
	261-265	SHOCK ABSORBER, 'LUVAX', LH, new	1	
30	261-580	PLATE, shock mounting	2	
31	261-500*	SHOCK ABSORBER, RH, reconditioned	1	TB, TC
	261-505*	SHOCK ABSORBER, LH, reconditioned	1	
32		ARM, shock absorber	2	
33	261-575	LINK, shock absorber	2	TA, TB, TC

We can only recondition your old TB & TC shock absorbers, new and exchange units are no longer available.

Ill. No	Part Number	Description	Qty. Req.	Details
---------	-------------	-------------	-----------	---------

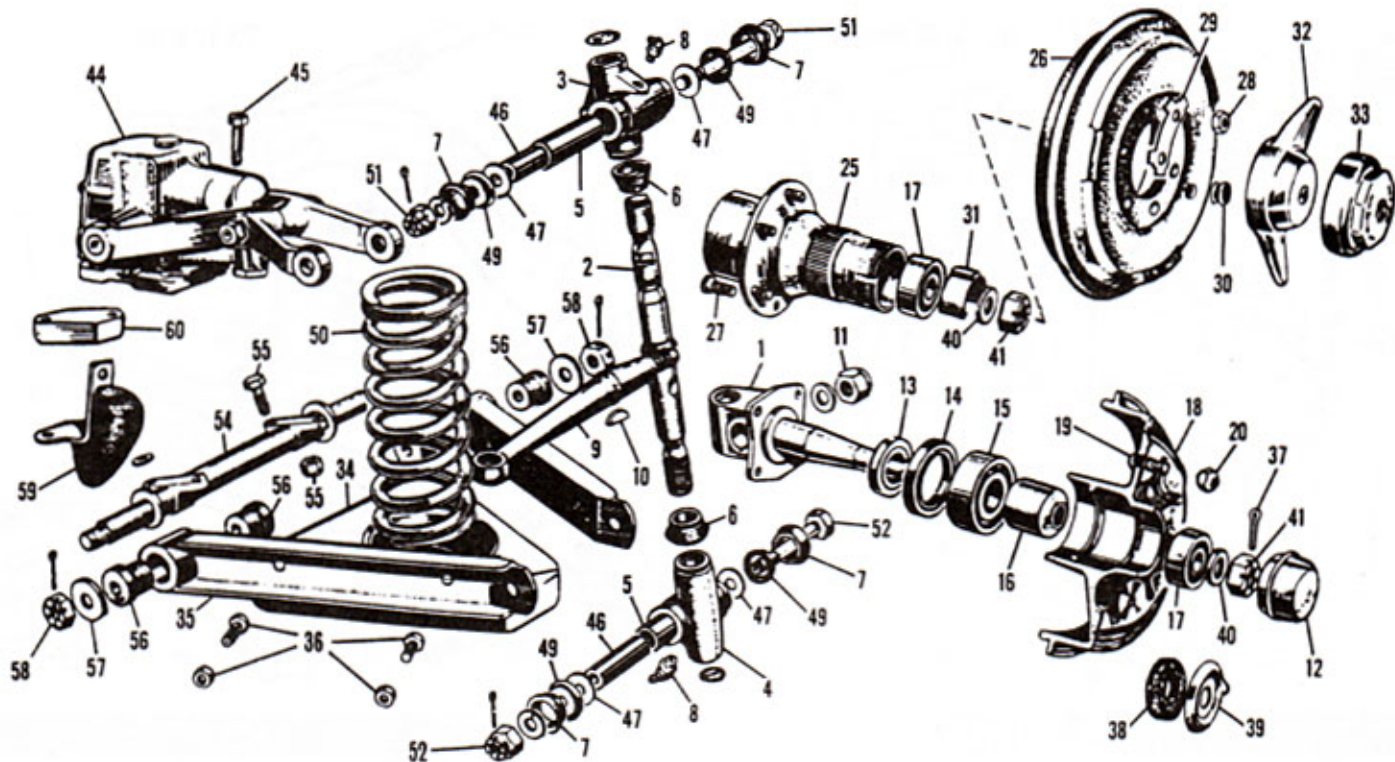
34	282-710	BUSH, rubber, shock absorber link	4	
		See our bush installation kit at bottom of this page, and see how easy it can be to fit new bushes.		
35	321-820	STUD, shock link mounting	4	
35a	320-690	BOLT (7/16" x 2" BSF)	4	
36	GHF334	LOCK WASHER, shock link stud	4	
37	311-280	NUT, shock link stud	2	
38	261-230	PLATE, buffer pad	2	
39	454-430	LEAF SPRING, front	2	
40	261-200	TRUNNION, front spring, (pair)	2	TA, TB
41	261-205	TRUNNION BOOT	2	
42	AAA843X	LEAF SPRING, front	2	
44	261-210	SHACKLE PLATE, rear of spring	4	
45	ACA5242**	BUSH, spring (standard)	8	TC
	280-625	BUSH, spring (uprated/Polyurethane)	8	
46	261-170	SHACKLE PIN	4	
48	311-280	NUT, shackle pin	8	
		**Lower bushes should be trimmed 1/8" shorter, prior to installation.		
50	261-150	PIN, front spring	2	
51	328-520	GREASE NIPPLE, spring pin	2	
52	261-320	TAB WASHER, spring pin	2	
53	261-215	BUMP STOP, on chassis	2	TA, TB
54	261-220	BUMP STOP, on chassis	2	TC
55	320-560	BOLT, buffer pad to chassis	4/8	TA, TB
56	2K3977	NUT, buffer pad bolt	4/8	(TB, uses 4)
57	261-160	BOLT, axle beam	8	
58	323-738	SCREW SET, plate to bolt	1	(set includes 8 screws)
59	261-190	CASTOR SHIM	2	TC from (c)4251
		(can be fitted to TB & early TC)		
60	261-540	BRACKET, LH, shock mounting	1	
	261-550	BRACKET, RH, shock mounting	1	
	261-545	STUD	4	
62	261-555	PLATE, spring mounting	2	
63	261-560	PLATE, reinforcing	4	
64	AJD8105Z	NUT, centre spring bolt	16	
65	AJD8104	NUT, locating stud	4	

Shock Absorber Bush Installation Kit

Installing new Girling shock absorber bushes and link pins has been a great source of frustration for TA, TB, TC & early TD owners for years. Replacement bushes available over the years have been either very easy to fit (and coming apart just as easily) or nearly impossible to fit!

We have introduced a well-designed installation tool set, with detailed instructions.

NI MM385-890 Bush Installation Kit a/r Make life easy!



Ill. No	Part Number	Description	Qty. Req.	Details
---------	-------------	-------------	-----------	---------

Front Suspension, TD, TF

1		STUB AXLE, LH	1	
		STUB AXLE, RH	1	
2	ATB4219	SWIVEL PIN, LH	1	
	ATB4218	SWIVEL PIN, RH	1	
3	ATB4209	TOP LINK, LH (includes bush)	1	
	ATB4208	TOP LINK, RH (includes bush)	1	
4	ATB4213	BOTTOM LINK, LH (includes bush)	1	
	ATB4212	BOTTOM LINK, RH (includes bush)	1	
5	BTB768	BUSH, top & bottom link	4	
6	ACG4030	SEAL, swivel pin	4	
7	280-580	SEAL, link	8	
8	UHN405	GREASE NIPPLE, link	4	
9		STEERING ARM, LH	1	
		STEERING ARM, RH	1	
10	327-060	KEY, steering arm	2	
11	311-330	NUT, steering arm	2	
12	ATB4098	DUST CAP	2	TD from (c)6035, TF
13	ACF4001	SPACER, oil seal	2	
14	ACF4004	OIL SEAL, front hub	2	
15	GHB177	BEARING, inner hub	2	
16	ACF4003	SPACER, bearing	2	
17	GHB176	BEARING, outer hub	2	
18		BRAKE DRUM	2	steel wheels
19	264-240	STUD, steel wheel, (BSF)	10	TD to (c)12284
	264-110	STUD, steel wheel, (SAE)	10	TD from (c)12285, TF
20	264-250	NUT, steel wheel stud, (BSF)	10	TD to (c)12284
	264-130	NUT, steel wheel stud, (SAE)	10	TD from (c)12285, TF
25	ATB4181	FRONT HUB, LH	1	
	ATB4180	FRONT HUB, RH	1	
26	264-320	BRAKE DRUM	2	
27	ATB4124	STUD, wire wheel hub	12	wire wheels
28	NT606041	NUT, hub stud	12	
29	ATB4125	LOCK TAB, brake drum (3 per drum)	6	
30	328-410	PLUG, brake adjusting hole	2	
31		RETAINER, grease	2	
32	AHH7318A	WHEEL SPINNER, LH, 2-eared	1	
	AHH7317A	WHEEL SPINNER, RH, 2-eared	1	
33	AHH7316A	WHEEL SPINNER, LH, octagonal	1	with MG crest
	AHH7315A	WHEEL SPINNER, RH, octagonal	1	
34	AHH5925	PAN, coil spring	2	
35	AAA1326	WISHBONE ARM	4	
36	321-578	BOLT & NUT SET, pan to arm	1	(includes 8 of each)

Ill. No	Part Number	Description	Qty. Req.	Details
---------	-------------	-------------	-----------	---------

37	GHF503	SPLIT PIN	2	
38	120-010	HUB SEAL, felt	2	TD to (c)6034
39	264-260	GREASE RETAINER, hub	2	
40	324-445	WASHER, steering knuckle nut, 1/8"	2	
	ATB4069	WASHER, steering knuckle nut, 1/4"	2	
41	311-380	NUT, stub axle, LH, 1/8" (LH thread)	1	
	311-370	NUT, stub axle, RH, 1/8" (RH thread)	1	
	FNZ2412	NUT, stub axle, LH, 1/4" (LH thread)	1	
	NL612041	NUT, stub axle, RH, 1/4" (RH thread)	1	
44	264-355*	SHOCK ABSORBER, Armstrong	2	reconditioned
	264-350*	SHOCK ABSORBER, Girling	2	
*We can only recondition your old shock absorbers, new and exchange units are no longer available.				
45	AJD6310Z	BOLT, shock mounting	8	Armstrong Shock Abs.
46	BHH1773	STEEL TUBE, link	4	
47	AAA1390	THRUST WASHER	8	
49	AAA1324	SEAL SUPPORT, link	8	cupped washer
50	MM264-330	COIL SPRING	2	
51	AHH4002K	BOLT & NUT SET, top link	2	(1 of each)
52	AHH4001K	BOLT & NUT SET, bottom link	2	(1 of each)
54	AHH4003	PIVOT, wishbone arm	2	
55	321-618	BOLT & NUT SET, wishbone arm pivot	8	(1 of each)
56	AHH7933	BUSH, wishbone arm (standard)	8	
	BHH1123	BUSH, wishbone arm (uprated)	4	(as fitted to MGB V8)
57	AAA1330	WASHER, wishbone arm pivot	4	
58	NL608041	NUT, wishbone arm pivot	4	fits replacement pivots
59	AAA5023	REBOUND RUBBER	2	requires spacer
60	AAA5024	SPACER, rebound rubber	2	standard on late cars
NI	386-600	Thread Restorer (BSW/BSF)	a/r	See also
NI	386-610	Thread Restorer (Metric)	a/r	'Nuts, Bolts & Fasteners'
For restoring damaged threads on bolts/studs.				

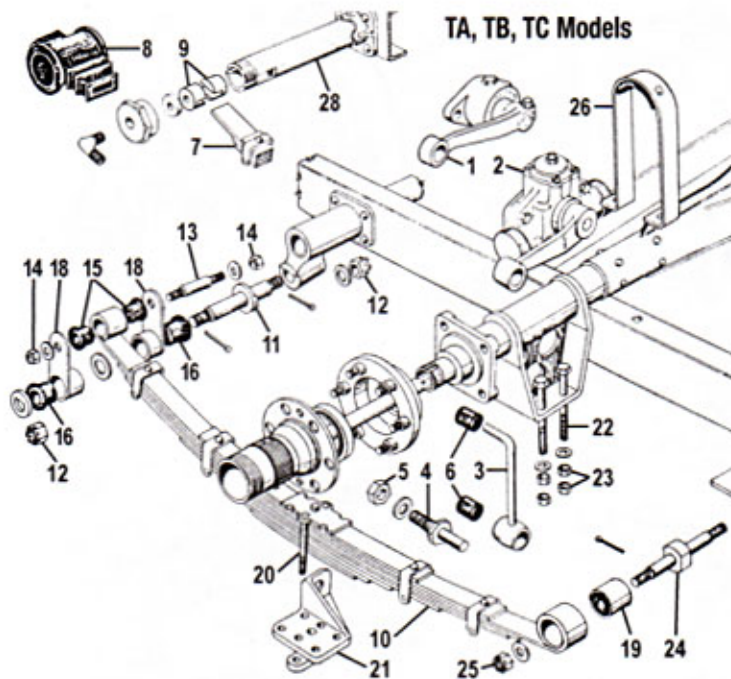
Shock Absorber Bush Installation Kit

Installing new Girling shock absorber bushes and link pins has been a great source of frustration for early TD owners for years. Replacement bushes available over the years have been either very easy to fit (and coming apart just as easily) or nearly impossible to fit! We have introduced a well-designed installation tool set, with detailed instructions.

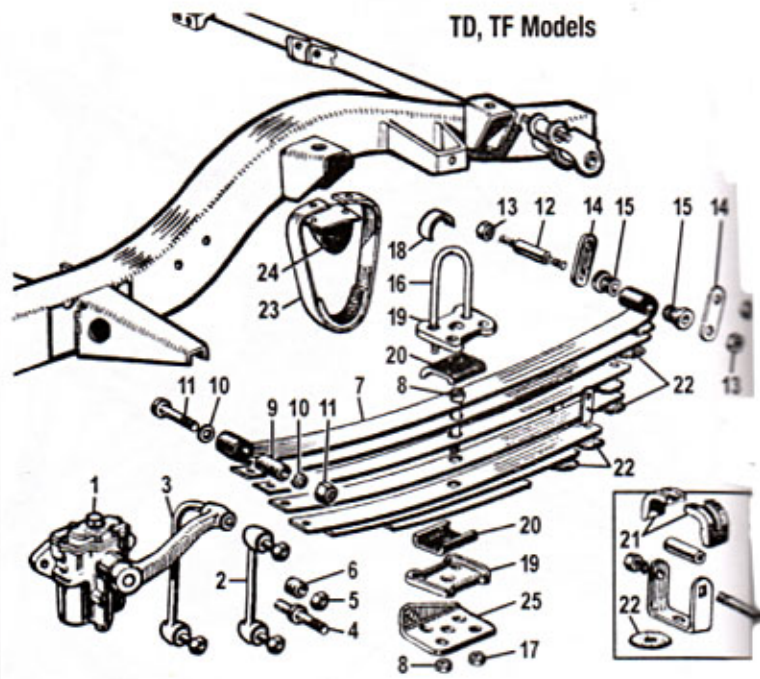
NI MM385-890 Bush Installation Kit a/r



Make life easy!



TA, TB, TC Models



TD, TF Models

Ill. No	Part Number	Description	Qty. Req.	Details
---------	-------------	-------------	-----------	---------

Rear Suspension, TA, TB, TC

1	261-285	SHOCK ABSORBER, 'LUVAX', rear, LH	1	TA (new)	
	261-295	SHOCK ABSORBER, 'LUVAX', rear, RH	1		
2	261-400*	SHOCK ABSORBER, LH, rear	1	TB, TC (reconditioned)	
	261-410*	SHOCK ABSORBER, RH, rear	1		
*We can only recondition your old TB & TC shock absorbers, new and exchange units are no longer available.					
3	261-525	LINK, shock absorber	2	TA, TB	
4	321-820	STUD, shock link	2		
5	311-280	NUT, shock link stud	2		
6	282-710	BUSH, shock absorber link, rubber	4		
7	454-435	REAR SPRING*	2		
*(includes 'Silent bloc' bush)					
8	261-235	TRUNNION BOOT	2		
9	261-225	TRUNNION, rear spring, (pair)	2	TC	
*Note: see item 28					
10	AAA846X	REAR SPRING*	2		
*(includes 'Silent bloc' bush)					
11	261-510	SHACKLE PIN, lower rear spring	2		
12	PW081	NUT, lower rear pin	4		
13	261-180	SHACKLE PIN, upper rear spring	2		
14	311-280	NUT, upper rear pin	4		
15	ACA5242	BUSH, upper (standard)	4		
	280-625	BUSH, upper (Uprated/Polyurethane)	4		
16	280-620	BUSH, lower, large (standard)	4		
	280-615	BUSH, lower, large (Uprated/Polyurethane)	4		
NI	323-975	FIBRE WASHER, rear shackle	2	TA, TB, TC	
18	261-515	SHACKLE PLATE, rear spring	4		
19	081752	SILENTBLOC BUSH	2		
20	261-570	TOP PLATE, rear spring, with studs	2		
21	261-595	SHOCK BRACKET, RH	1		
	261-590	SHOCK BRACKET, LH	1		
22	320-870	BOLT, spring to axle housing	8		
23	AJD8105Z	NUT, (2 per bolt)	16		
24	261-330	STUD, spring mounting	2		
25	311-335	NUT, mounting stud	2		
26	261-340	CHECK STRAP, rear axle	2		
NI	280-660	BUFFER, rear axle	2		
28	PW072	TRUNNION BUSH REPAIR, RH	1	TA, TB	
	PW072A	TRUNNION BUSH REPAIR, LH (also known as sliding bush)	1		

Ill. No	Part Number	Description	Qty. Req.	Details
---------	-------------	-------------	-----------	---------

Rear Suspension, TD, TF

1	NBM148	SHOCK ABS', LH, rear, new, less link	1	Armstrong
	NBM149	SHOCK ABS', RH, rear, new, less link	1	
	261-440*	SHOCK ABS', LH, rear, reconditioned	1	Girling
	261-450*	SHOCK ABS', RH, rear, reconditioned	1	
	261-420*	SHOCK ABS', LH, rear, reconditioned	1	
	261-430*	SHOCK ABS', RH, rear, reconditioned	1	
On the shocks listed above, marked *, we can only recondition your old shock absorbers, new and exchange units are no longer available.				

Koni Shock Absorber Conversion - Make your T Type handle.

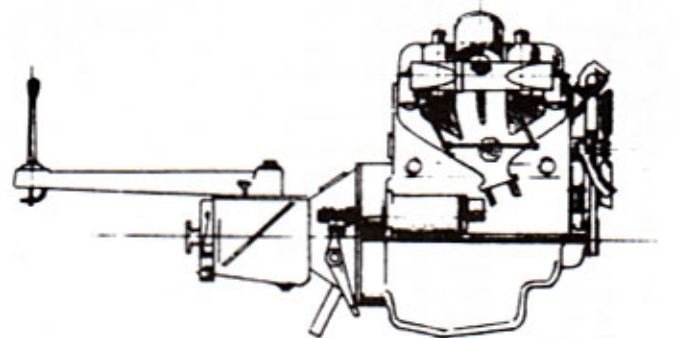
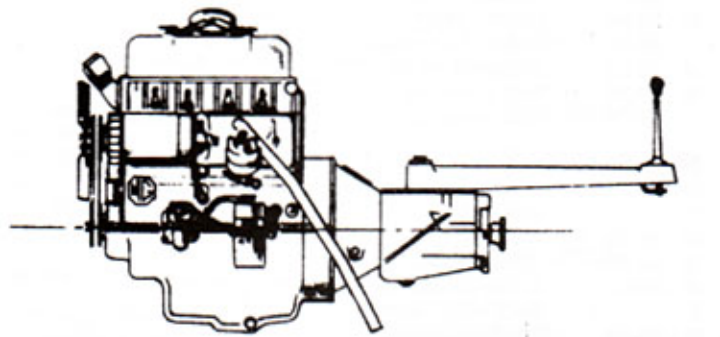
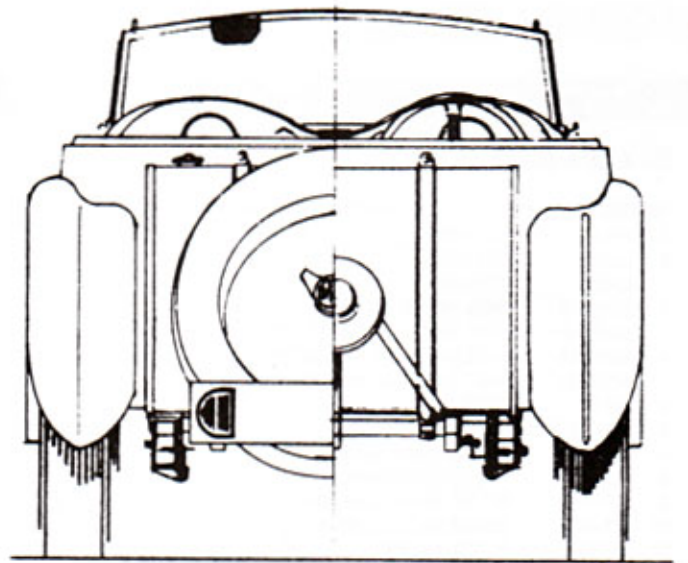
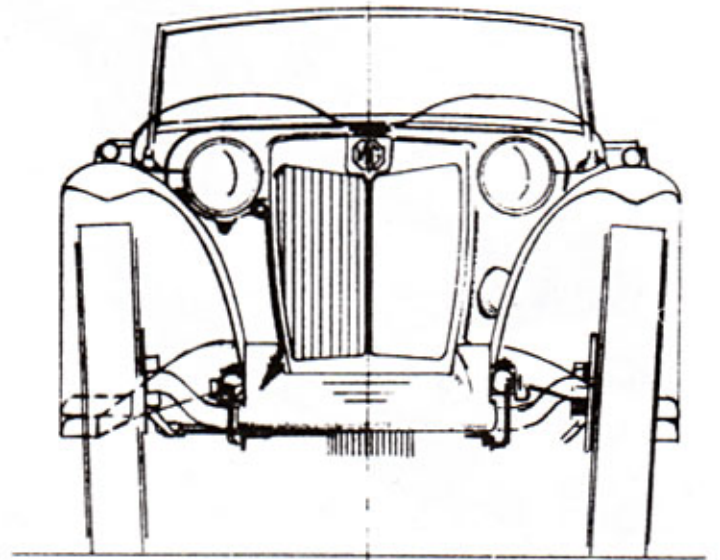
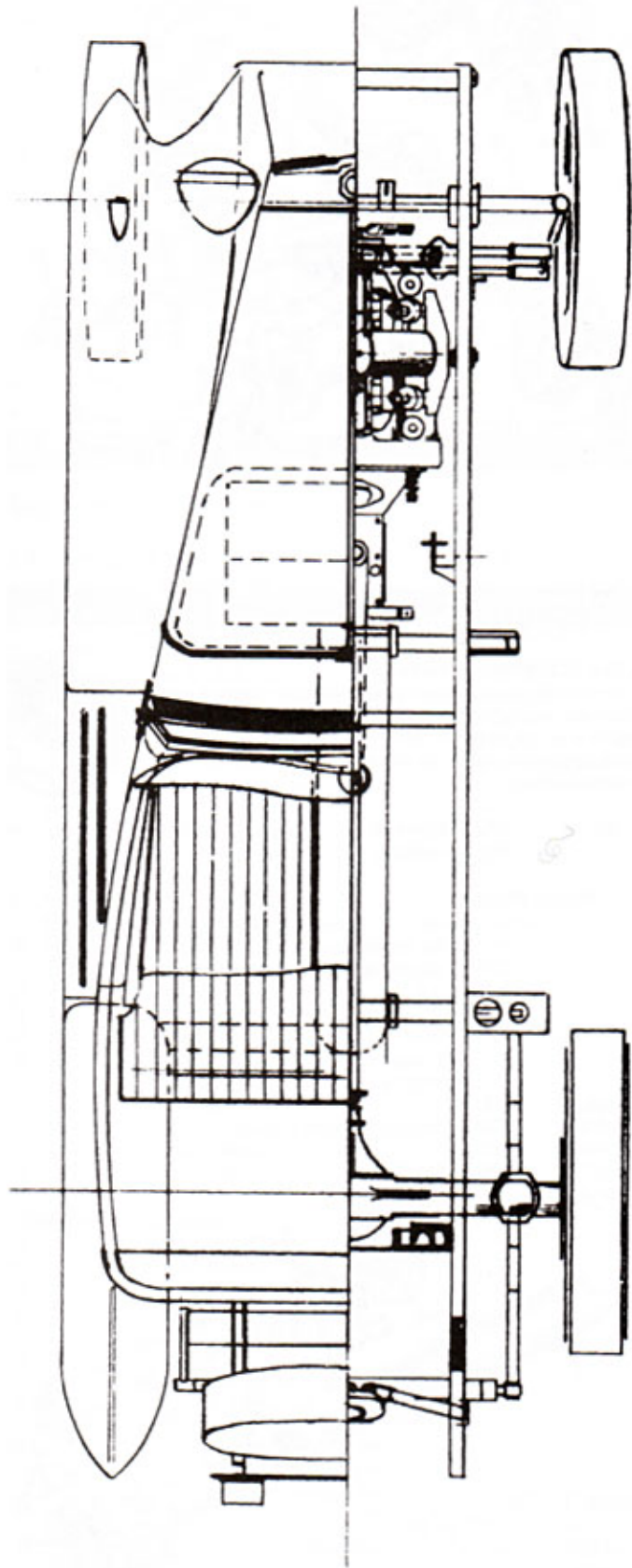
NI	267-658	KONI CONVERSION KIT	1	use only when Koni Conversion kit fitted
NI	MM267-657	KONI SHOCK ABSORBER	2	
2	266-480	LINK	2	Armstrong
3	266-455	LINK	2	
4	321-820	STUD, shock link	2	Girling
5	311-280	NUT, shock link stud	2	
6	282-710	BUSH, shock link	2	TD
7	AAA2372	REAR SPRING, (inc. silent bloc bush)	2	
	AAA5031	REAR SPRING, (inc. silent bloc bush)	2	TF
8	321-228	BOLT & NUT SET, centre leaf spring	2	
9	AAA629	SILENTBLOC BUSH	2	(one of each)
10	324-195	WASHER, fibre	4	
11	322-718	BOLT & NUT SET, pivot	2	Polyurethane
12	261-170	SHACKLE PIN, rear spring	4	
13	311-280	NUT, shackle pin	8	optional to prevent chafing
14	266-440	SHACKLE PLATE	4	
15	ACA5242	BUSH, rear spring (standard)	8	optional to prevent chafing
	280-625	BUSH, rear spring (Uprated)	8	
16	266-420	'U' BOLT	4	optional to prevent chafing
17	AJD8336Z	NUT, nyloc	8	
18	AH5082	BUFFER PLATE, 'U' bolt to housing	2	optional to prevent chafing
19	266-450	PLATE, spring centre	4	
20	280-630	PAD, spring seating	4	optional to prevent chafing
21	280-640	PAD, spring clip	8	
22	280-650	PAD, between leaves	24	optional to prevent chafing
23	266-430	CHECK STRAP	2	
24	266-500	REBOUND RUBBER, rear axle	2	optional to prevent chafing
25	266-620	BRACKET, shock link, LH	1	
	266-630	BRACKET, shock link, RH	1	

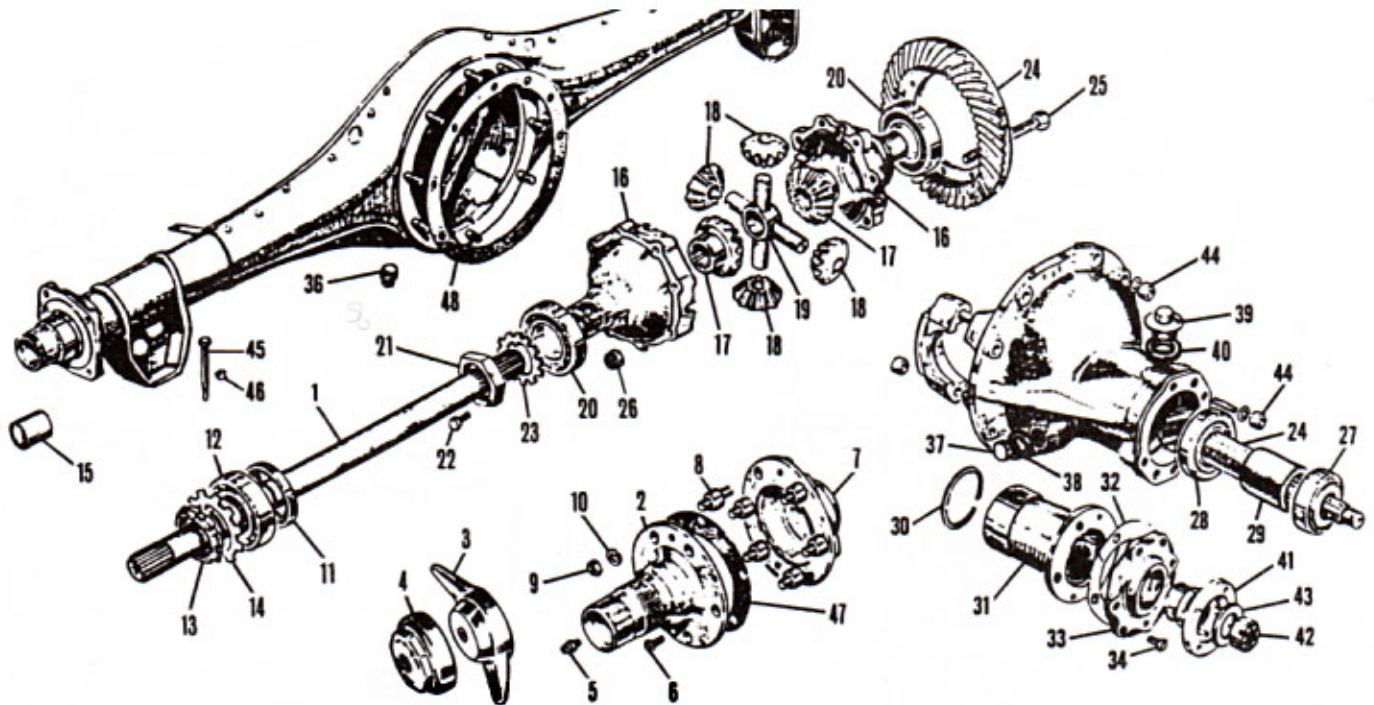
Shock Absorber Bush Installation Kit

Installing new Girling shock absorber bushes and link pins has been a great source of frustration for TA, TB, TC & early TD owners for years. Replacement bushes available over the years have been either very easy to install (and coming apart just as easily) or nearly impossible to install! We have introduced a well-designed installation tool set, with detailed installation instructions.

NI	MM385-890	Bush Installation Kit	a/r	Make life easy!
----	-----------	-----------------------	-----	-----------------







Ill. No	Part Number	Description	Qty. Req.	Details
---------	-------------	-------------	-----------	---------

Rear Axle, TA, TB, TC

Axle Shaft & Hubs

1	453-210	AXLE SHAFT	2	
2	AAA539	REAR HUB, RH	1	
	AAA540	REAR HUB, LH	1	
3	AHH7317A	WHEEL SPINNER, RH, 2-eared	1	with MG motif
	AHH7318A	WHEEL SPINNER, LH, 2-eared	1	
4	AHH7315A	WHEEL SPINNER, RH, octagonal	1	
	AHH7316A	WHEEL SPINNER, LH, octagonal	1	
5	328-520	GREASE NIPPLE, rear hub	2	
6	323-748	SCREW SET, rear hub	1	(includes 4 screws)
7	265-130	HOUSING, bearing, (includes studs)	2	
8	328-840	STUD, bearing housing	12	
9	311-748	NUT SET, bearing housing studs	1	(set includes 12 nuts)
10	324-340	WASHER, bearing housing stud	12	
11	AAA969	OIL SEAL, rear hub	2	
12	B104	BEARING, rear hub	2	
13	265-110	LOCK NUT, RH (RH thread)	1	
	265-120	LOCK NUT, LH, LH thread	1	
14	265-100	TAB WASHER, lock nut	2	
15	330-210	BUSH, oil return, RH	1	important item that's very often overlooked
	330-110	BUSH, oil return, LH	1	

Differential & Pinion Gears

16		CASE, differential	1	
17		GEAR, differential	2	
18	265-040	GEAR, pinion	4	
19	265-050	SPIDER, differential	1	
20	2K5943	BEARING, differential carrier	2	
21		ADJUSTING NUT, differential bearing	2	
22	265-030	SCREW, adjusting nut	2	
23		LOCK RING, adjusting nut	2	
24	265-000	C/WHEEL & PINION, (4.875:1)*	1	TA, TB
	265-010	C/WHEEL & PINION, (5.125:1)*	1	TC
		*can be used as alternatives		
25	AJD6220Z	BOLT, ring & pinion	8	
26	AJD8105Z	NUT, for bolt	8	
27	125-020	BEARING, front pinion (single row)	1	TA
	125-000	BEARING, front pinion (double row)	1	TB, TC
28	128-100	BEARING, rear pinion, roller bearing	1	
29	265-020	SPACER, pinion bearing	1	
30		SPRING CLIP, rear pinion bearing	1	
31	265-190	HOUSING, pinion	1	
32	263-470	SHIM, 0.002"	a/r	
	263-480	SHIM, 0.005"	a/r	
	263-490	SHIM, 0.010"	a/r	

Ill. No	Part Number	Description	Qty. Req.	Details
---------	-------------	-------------	-----------	---------

TA, TB & TC Differential Pinion Cap

This re-engineered item incorporates a modern double-lipped oil seal in a precision machined alloy housing. The really clever aspect of this design is that the seal is positioned so as to fit against the unworn portion of the original pinion flange, eliminating any need for machine work. The installed unit, when painted, duplicates the original appearance.



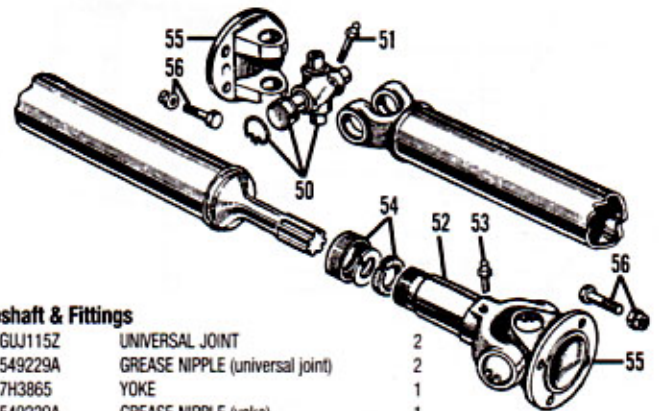
33	265-198	Differential Pinion cap	1	
34		SCREW, housing cap	2	

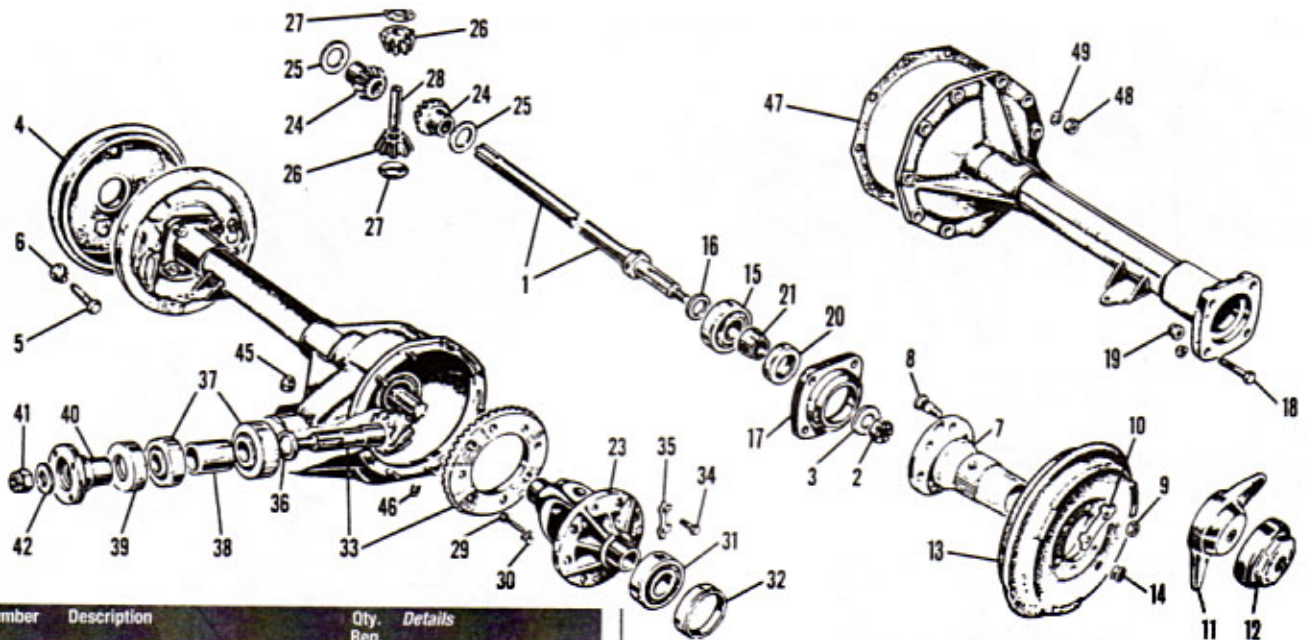
Rear Axle Case Fittings

36	328-090	PLUG, oil drain	1	
37		PLUG, oil level indicator	1	
38		WASHER, oil level plug	1	
39		PLUG, oil filler	1	
40		WASHER, oil filler plug	1	
41	265-200	FLANGE, pinion	1	
42	311-430	NUT, pinion flange	1	
43		WASHER, pinion flange nut	1	
44	AJD8105Z	NUT	14	
45	320-870	BOLT, spring to axle housing	8	
46	AJD8105Z	NUT	16	(2 per bolt)
47	294-200	GASKET, rear hub	2	
48	294-300	GASKET, differential	1	

Propshaft & Fittings

50	GUJ115Z	UNIVERSAL JOINT	2	
51	549229A	GREASE NIPPLE (universal joint)	2	
52	7H3865	YOKE	1	
53	549229A	GREASE NIPPLE (yoke)	1	
54	7H3880X	DUST CAP & CORK SEAL SET (yoke)	1	
55	7H3863	FLANGE	2	
56	321-338	BOLT & NUT SET	2	4 bolts & nuts for 1 flange





Rear Axle, TD, TF

Axle Shaft, Hubs & Brake Drums

Ill. No	Part Number	Description	Qty. Req.	Details
1	453-220	AXLE SHAFT, (SAE)	2	(use part no. 310-590 nut)
2	311-490	NUT, axle shaft, (BSF), (11 TPI)	2	TD to (c)12284
	310-590	NUT, axle shaft, (SAE), (14 TPI)	2	TD from (c)12285, TF
3	324-500	WASHER, axle shaft nut	2	
4	266-510	BRAKE DRUM	2	steel wheels
5	264-240	STUD, steel wheel, (BSF)	10	TD to (c)12284
	264-110	STUD, steel wheel, (UNF)	10	TD from (c)12285, TF
6	264-250	NUT, steel wheel stud, (BSF)	10	TD to (c)12284
	264-130	NUT, steel wheel stud, (UNF)	10	TD from (c)12285, TF
7	AAA1113	REAR HUB, LH, wire wheels	1	includes studs
	AAA1112	REAR HUB, RH, wire wheels	1	
8	ATB4124	STUD, wire wheel hub	12	
9	NT606041	NUT, hub stud	12	
10	ATB4125	LOCK TAB, brake drum	6	3 per drum
11	AHH7318A	WHEEL SPINNER, LH, 2-eared	1	with MG motif
	AHH7317A	WHEEL SPINNER, RH, 2-eared	1	
12	AHH7316A	WHEEL SPINNER, LH, octagonal	1	
	AHH7315A	WHEEL SPINNER, RH, octagonal	1	
13	264-320	BRAKE DRUM	2	wire wheels
14	328-410	PLUG, brake adjusting hole	2	
15	GHB158	BEARING, rear hub	2	
16	266-020	SPACER, rear hub bearing	2	
17		HOUSING, bearing	2	
18		BOLT, housing	8	
19	AJD8336Z	NUT, nyloc, bearing housing bolt	8	
20	GHS179	OIL SEAL, rear hub	2	
21	AAA982	COLLAR, oil seal	2	

Differential & Pinion Gears

23		CASE, differential	1	
24		GEAR, differential	2	
25	266-370	THRUST WASHER, differential gear	2	
26		GEAR, pinion	2	
27	266-010	THRUST WASHER, pinion gear	2	
28	266-360	PIN, pinion gear	1	
29	320-210	BOLT, pinion gear pin	1	
30	266-350	LOCK TAB, pinion pin bolt	1	
31	2K5943	BEARING, differential	2	
32	266-180	COLLAR, differential bearing, 0.496"	a/r	
	266-190	COLLAR, differential bearing, 0.497"	a/r	
	266-200	COLLAR, differential bearing, 0.498"	a/r	
	266-220	COLLAR, differential bearing, 0.500"	a/r	
	266-230	COLLAR, differential bearing, 0.501"	a/r	
	266-240	COLLAR, differential bearing, 0.502"	a/r	
	266-250	COLLAR, differential bearing, 0.503"	a/r	
	266-270	COLLAR, differential bearing, 0.505"	a/r	
	266-280	COLLAR, differential bearing, 0.506"	a/r	

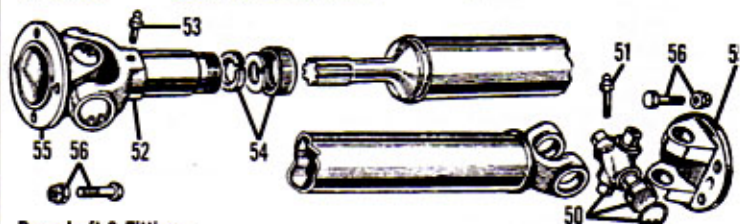
Ill. No	Part Number	Description	Qty. Req.	Details
---------	-------------	-------------	-----------	---------

TD/TF Crown Wheel & Pinion Gear Sets

Crown wheel & pinion gear sets for the TD & TF are no longer available. While original gear sets are very long-wearing, standard rear axle ratios (particularly the standard 5.125:1 ratio as fitted to most TDs) are not well suited to modern highway driving conditions. We feel that the best ratio for a regularly driven TD or TF is a 4.55:1 ratio. MGA or MG ZA/ZB gear sets can be fitted without permanent modification (the 4.55:1 ratio was standard on MG ZA & ZB models).

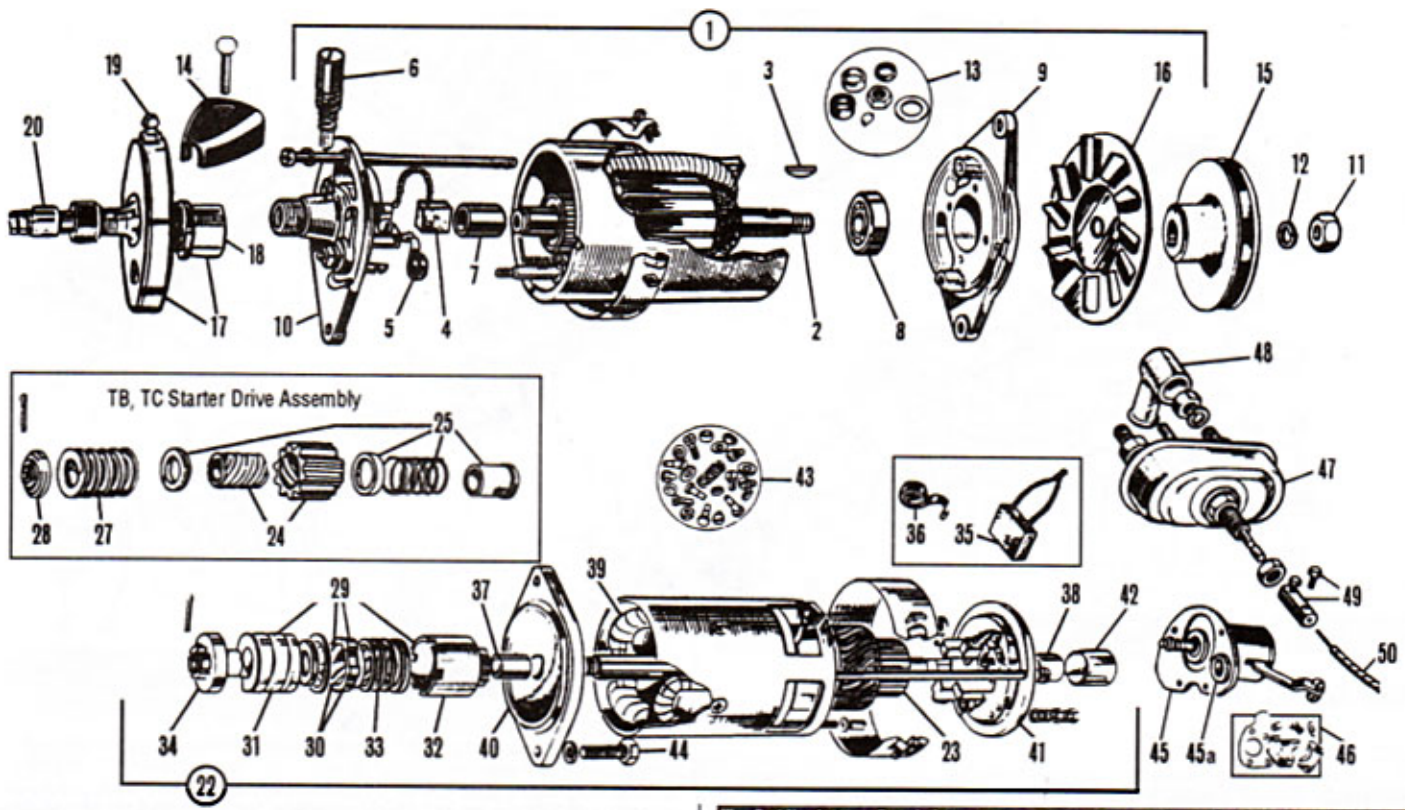
We offer a 'crown wheel & pinion conversion' Workshop Manual (part no. 212-350) which covers this somewhat detailed process (see Accessories - 'Books & Manuals').

33	ATB7056	C/WHEEL & PINION, 4.875:1	1	alternative to original
34	321-198	BOLT SET, ring & pinion, (BSF)	1	TD to (c)12284
	322-668	BOLT SET, ring & pinion, (SAE)	1	TD from (c)12285, TF
35	266-040	LOCK TAB, ring & pinion bolt	4	
36	266-070	WASHER, 0.119"	a/r	pinion adjusting
	266-090	WASHER, 0.121"	a/r	
	266-120	WASHER, 0.124"	a/r	
	266-130	WASHER, 0.125"	a/r	
	266-150	WASHER, 0.127"	a/r	
	266-160	WASHER, 0.128"	a/r	
37	129-008	BEARING SET, pinion, (2 bearings)	1	
38	266-490	SPACER, pinion bearing	1	
39	88G320	OIL SEAL, pinion	1	
40	266-340	FLANGE, pinion	1	
	ATB7059	FLANGE, pinion	1	(MGA type)
41	311-430	NUT, pinion flange, (BSF)	1	TD to (c)12284
	GHF226	NUT, pinion flange, (SAE)	1	TD from (c)12285, TF
42	324-470	WASHER, pinion flange nut	1	
45	328-130	PLUG, oil filler	1	
46	328-090	PLUG, oil drain	1	
47	294-400	GASKET, differential housing	1	
48	AJD8105Z	NUT, cover stud, (BSF)	10	TD to (c)12284
	GHF202	NUT, cover stud, (UNF)	10	TD from (c)12285, TF
49	GHF332	LOCK WASHER, cover stud nut	10	



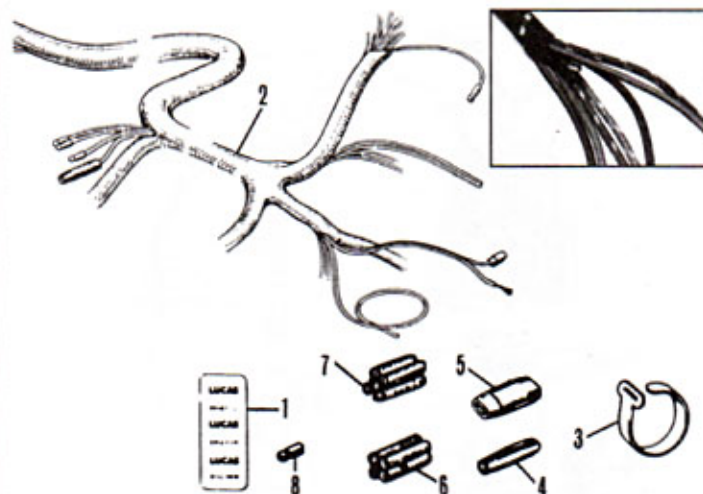
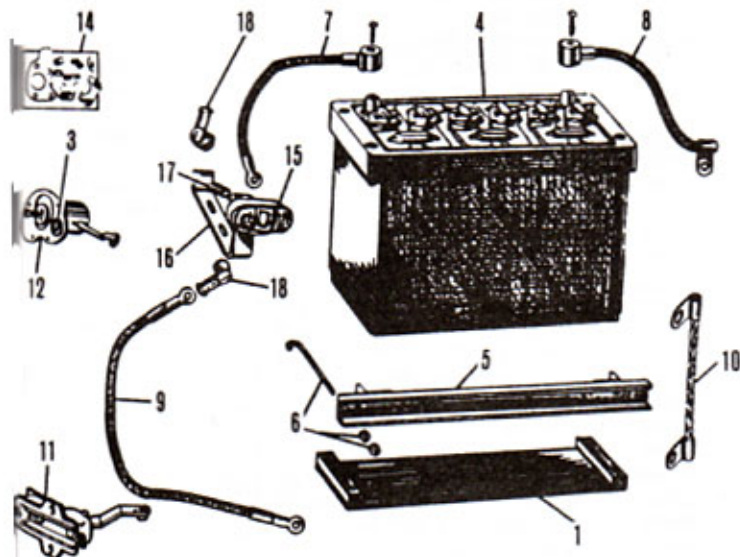
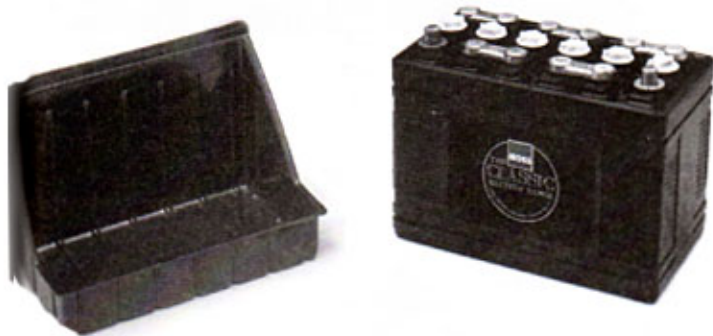
Propshaft & Fittings

50	GUJ115Z	UNIVERSAL JOINT	2	
51	549229A	GREASE NIPPLE (universal joint)	2	
52	7H3865	YOKE	1	
53	549229A	GREASE NIPPLE (yoke)	1	
54	7H3880X	DUST CAP & CORK SEAL SET (yoke)	1	
55	7H3863	FLANGE	2	
56	321-338	BOLT & NUT SET	2	4 bolts & nuts for 1 flange



Ill. No	Part Number	Description	Qty. Req.	Details
Dynamo				
1	EL177	DYNAMO, recon, exchange	1	TB, TC
	AEJ49	DYNAMO, New replacement type with Lucar terminals	1	TD, TF
2		ARMATURE, dynamo	NLA	
<i>NOTE: TA dynamos are no longer available.</i>				
3	327-030	KEY, armature shaft	1	all models
4	147-100	BRUSH SET, dynamo	1	TC
	GG8105	BRUSH SET, dynamo	1	TD, TF
5	7H5031	SPRING SET, dynamo brush	1	all models
6	147-900	OILER, dynamo	1	
7	148-000	BUSH, dynamo	1	TC
	7H5390	BUSH, dynamo	1	TD, TF
8	7H5021	BEARING, dynamo	1	TC
	18G8169	BEARING, dynamo	1	TD, TF
9	148-100	PLATE, drive end	1	TC
	147-300	PLATE, drive end	1	TD, TF
10	147-500	PLATE, commutator end	1	
11	AJD8207Z	NUT, armature shaft	1	TC
	NT607041	NUT, armature shaft	1	TD, TF
12	146-500	LOCK WASHER, armature shaft	1	TC
	GHF334	LOCK WASHER, armature shaft	1	TD, TF
13		SUNDRY PARTS KIT	NLA	TD, TF
14	149-950	COVER, dynamo terminal	1	TC
	433-680	PULLEY/FAN, dynamo	1	
	433-655*	PULLEY/FAN, dynamo	1	early TD
	433-660*	PULLEY, dynamo	1	late TD, TF
15	AEC82*	FAN, dynamo	1	
<i>*The pulley & fan for early and late TD dynamos are interchangeable.</i>				
17	PWT923	GEARBOX, tachometer reduction	1	TA type
	27H210#	GEARBOX, tachometer reduction	1	TC type
18	360-040	COUPLING KIT, gearbox to dynamo	1	
19	328-510	GREASE NIPPLE, tachometer	1	reduction gearbox to dynamo
<i># The TC reduction gearbox can be fitted to TA & TB's when a tachometer cable with push-on tachometer end & screw-on dynamo end is used (part no. 331-045).</i>				
20	331-035	CABLE, tachometer, 48" (push-on both ends)	1	TA, TB
	331-045	CABLE, tachometer, 48" (push-on tachometer end & screw-on dynamo end)	1	
	MM331-170	CABLE, tachometer, 48"	1	TC, RHD TD, TF
	331-160	CABLE, tachometer, 40"	1	TD, TF, LHD

Ill. No	Part Number	Description	Qty. Req.	Details
Starter Motor				
22	EL178	STARTER, reconditioned	1	TB, TC
	GEU9405	STARTER, New	1	TD, TF
<i>Note: TA starters are no longer available.</i>				
23	7H5050	ARMATURE, starter	1	TD, TF
24	7H5008	DRIVE, starter	1	
25	070062	KIT, starter drive retaining	1	TB, TC
27	7H5007	SPRING, main	1	
28	503527	NUT	1	
29		DRIVE, starter	1	
30	148-900	SLEEVE & NUT	1	
31	7H5045	SPRING, main	1	TD, TF
32	500892	PINION	1	
33	501711	SPRING, pinion	1	
34	503527	NUT	1	TF & replacement starters
35	GSB103	BRUSH SET, starter	2	TB, TC
	GSB102	BRUSH SET, starter	1	TD, TF
36	27H2291K	SPRING SET, starter brush	1	TB, TC
	509819A	SPRING SET, starter brush	1	TD, TF
37	244714A	BUSH, drive end	1	TB, TC
	7H5049	BUSH, drive end	1	TD, TF
38	242958A	BUSH, commutator end	1	TB, TC
	511141	BUSH, commutator end	1	TD, TF
39		FIELD COIL SET	1	TB, TC
40		PLATE, drive end, with bush	1	
		PLATE, drive end, with bush	1	
41		PLATE, comm. end, with brushes	1	TD, TF
42		CAP, armature end	1	
		SUNDRY PARTS KIT	1	
43	7H5156		1	
44	320-510	BOLT, starter to blocks	2/3	all models (TB, TC uses 3)
	145-710	SWITCH, starter	1	TA
45	145-700	SWITCH, starter	1	
45a	161-400	BUSH, rubber	1	TB, TC
46	150-100	COPPER CONTACT SET	1	
47	3H949	SWITCH, starter	1	
48	8G548	RUBBER BOOT, switch terminals	2	TD, TF
49	3H950	COUPLING, cable to switch	1	
50		CABLE, starter switch	1	see batteries on next page.
Starting Handles				
<i>Authentic reproductions with brass handle.</i>				
<i>Very handy for adjusting valves, and, for starting the car when all else fails.</i>				
NI	386-140	Starting Handle	1	TA, TB, TC
NI	386-150	Starting Handle	1	TD, TF



III. Part No	Part Number	Description	Qty. Req.	Details
--------------	-------------	-------------	-----------	---------

Wiring Looms & Connectors

All of our T-series wiring looms feature original style braided cloth binding over original type lacquer-braided individual wires. These are colour-coded to original specifications and include required connectors. As was the case with factory replacement looms, neither the under-dash sub-loom connecting between various points on the dash itself, nor the TF headlamp pigtails are included.

For U.K. MOT purposes any car manufactured after 1936 must carry red rear/white front indicators or separate amber ones, our looms marked with * allows indicators to be incorporated in the side & tail lamps.

III. Part No	Part Number	Description	Qty. Req.	Details
1	CRST122	DECAL (LUCAS)	a/r	
2	357-470	WIRING LOOM, lacquer-braid (no wires for indicators)	1	TA, TB
	357-475*	WIRING LOOM, lacquer-braid (with wires for side & tail lights)	1	
	357-480	WIRING LOOM, lacquer-braid (no wires for indicators)	1	
	357-030	WIRING LOOM, lacquer-braid (wires for separate indicators)	1	TC
	357-040*	WIRING LOOM, lacquer-braid (with indicator wires to incorporate side & tail lights)	1	
	357-060	WIRING LOOM, lacquer-braid (dash-mounted dip switch & no wires for indicators)	1	
	357-485	WIRING LOOM, lacquer-braid (dash-mounted dip switch & wires for separate indicators)	1	TD to (c)18882
	357-070*	WIRING LOOM, lacquer-braid (dash-mounted dip switch & with indicator wires to incorporate side & tail lights)	1	
	357-490	WIRING LOOM, lacquer-braid (foot dip switch & no wires for indicators)	1	
	357-495	WIRING LOOM, lacquer-braid (foot dip switch & wires for separate indicators)	1	TD from (c)18883
	357-080*	WIRING LOOM, lacquer-braid (foot dip switch & with indicator wires to incorporate side & tail lights)	1	
	357-090	WIRING LOOM, lacquer-braid	1	TF
3	2K6640	STRAP, wire tie-down	a/r	
4	2H3406	WIRE CONNECTOR, 1-way	a/r	
5	RTC603A	WIRE CONNECTOR, 2-way	a/r	rubber covered
6	161-700	WIRE CONNECTOR, 4-way	a/r	
7	161-710	WIRE CONNECTOR, 5-way	a/r	
8	003632	BULLET CONNECTOR	a/r	
NI	GAC9906X	TAPE (non adhesive), Black	a/r	
NI	GAC9907X	TAPE (non adhesive), Blue	a/r	
NI	MOC1001	TAPE (self adhesive), Black	a/r	
NI	MOC1000	TAPE (self adhesive), Blue	a/r	

*These looms also require: 1 Relay (3H1454), 1 Flasher unit (GFU2101) & 1 Turn switch (AMK5607) plus, 1 Turn switch Knob (27H5511) & a quantity of 2 'double filament' bulb holders (157-600) for front side lights

III. Part No	Part Number	Description	Qty. Req.	Details
--------------	-------------	-------------	-----------	---------

Batteries/Fittings, Cables & Switches

See also Accessories

1	407-710	BATTERY TRAY, wooden	1	TD, TF (as original)
2	AM7301	LINER, battery tray (Accessory)	1	TD, TF (photograph)

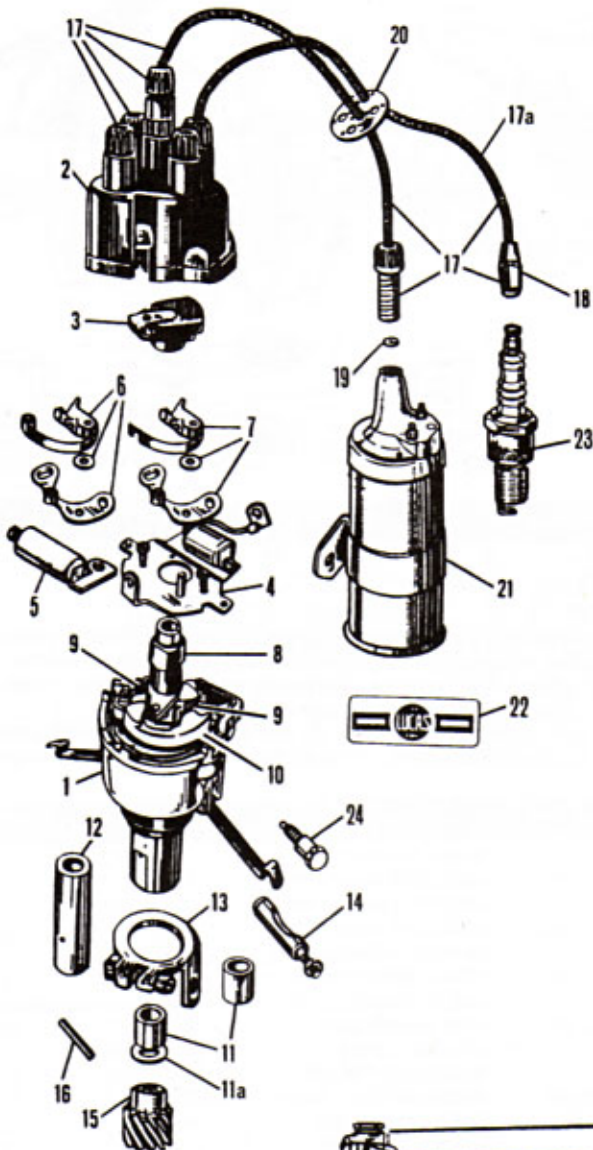
This clever - yet functional item, completely hides all but the most terminal symptoms of battery box plaque. Ribbed for extra strength, this battery tray not only protects against corrosion, but also makes cleaning around the battery much easier.

NI	BHA4140	COVER, battery	2	TA, TB (& MGA)
----	---------	----------------	---	----------------

Our vintage style tar-top batteries provide the perfect finishing touch to a correct restoration.

Black hard rubber case and exposed lead cell connectors are reproduced in the proper period style.

	GBY3031D11	BATTERY, 6V tar-top, dry	2	TA, TB
4	MM459-400	BATTERY, 12V tar-top, dry	1	TC, TD, TF
5	407-700	BRACKET, battery securing	1	TD, TF
6	407-618	BOLT & NUT SET, battery mounting	1	TD, TF (2 of each)
7	332-050	CABLE, battery to starter	1	TC
	332-040	CABLE, battery to switch	1	TD, TF
8	736-085	CABLE, battery to earth	1	TC
	332-020	CABLE, battery to earth	1	TD, TF
9	AHA7776	CABLE, switch to starter	1	
10	AH45452	CABLE, frame to gearbox	1	all models
11	145-710	SWITCH, starter	1	TA
12	145-700	SWITCH, starter	1	
13	161-400	BUSH, rubber	1	TB, TC
14	150-100	CONTACT SET, starter switch	1	
15	3H949	SWITCH, starter	1	
16	AH45002X	BRACKET, starter switch	1	TD, TF
17	3H950	COUPLING, cable to switch	1	
18	8G548	RUBBER BOOT, switch terminals	2	

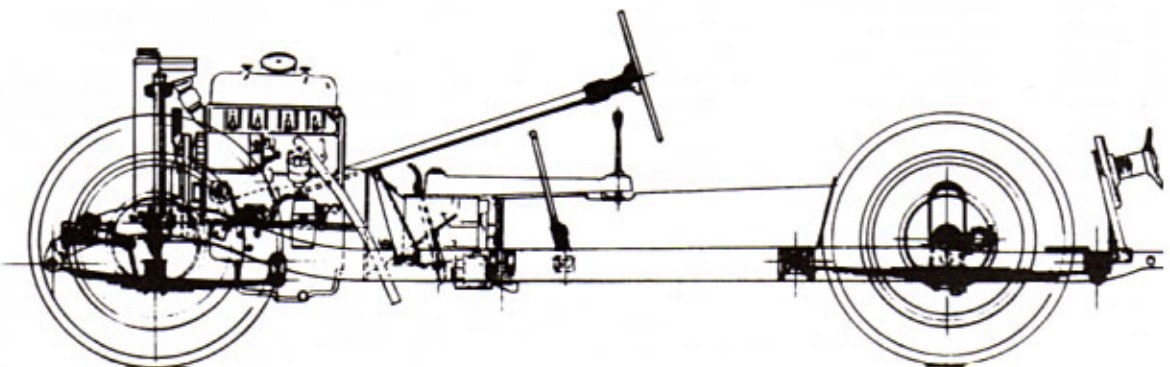
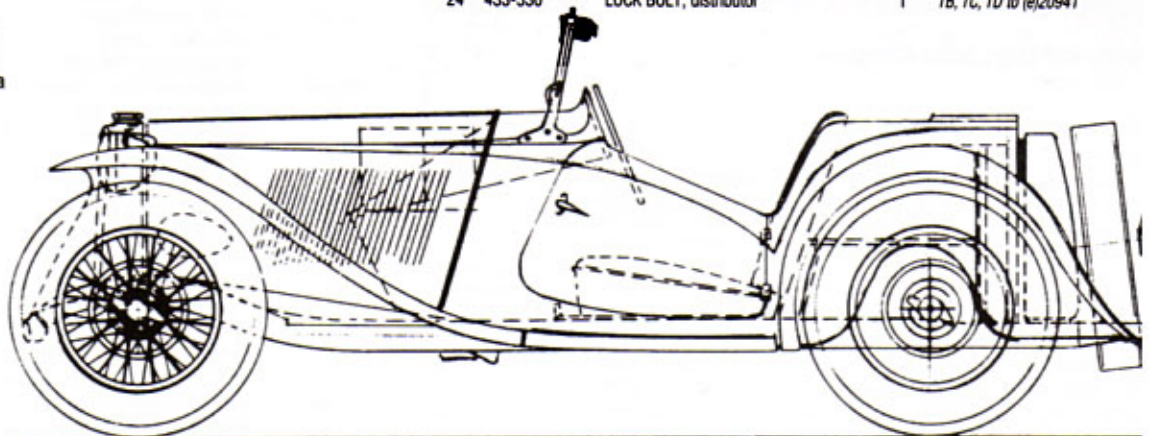


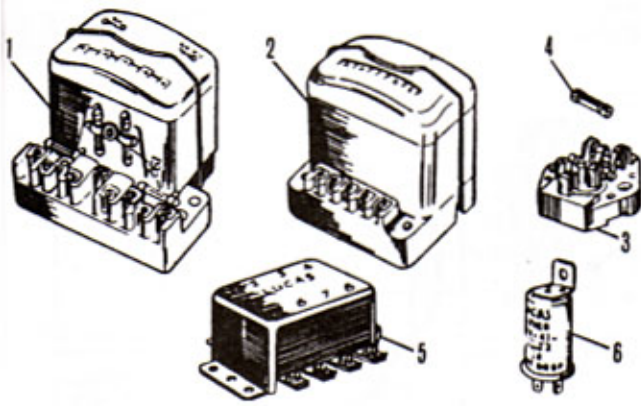
Ill. No	Part Number	Description	Qty. Req.	Details
---------	-------------	-------------	-----------	---------

Ignition System

See also Accessories

NI	222-688	ELECTRONIC IGNITION	1	All models
	See Accessories for full details.			
1	143-000	DISTRIBUTOR	1	TC, early TD
	143-010	DISTRIBUTOR	1	late TD, TF
2	153-030	CAP, distributor	1	TA
	AAA4772	CAP, distributor	1	TB, TC, TD, TF
3	GRA2101	ROTOR ARM, distributor	1	all models
4	163-915	PLATE, with condenser	1	TA
	163-910	PLATE, with condenser	1	TB, TC, TD, TF
5	163-895	CONDENSER	1	TA
	163-900	CONDENSER, (screw-on type)	1	dist. no. 40367 & 40368
6	152-230	POINT SET	1	TA
7	GCS112	POINT SET	1	TB, TC, TD, TF
8		CAM, distributor	1	
9	152-300	SPRING, distributor, (pair)	1	dist. no. 40367 & 40368
10		WEIGHT, distributor	2	
11	168-008	BUSH SET, 2 bushes	1	dist. no. 40048 & 40162
11a	AUC3233	WASHER, copper	1	
12	606895	BUSH, distributor	1	dist. no. 40367 & 40368 D/H
		BUSH, distributor	1	dist. no. 40368 A/B
13	163-710	CLAMP, distributor	1	TD to (e)20941
14	433-540	COTTER BOLT, distributor	1	TD from (e)20942, TF
15	433-520	GEAR, distributor	1	TB, TC, TD, TF
16	325-010	PIN, gear to shaft	1	
17	171-618	IGNITION LEAD SET, complete	1	
18	171-530	SPARK PLUG NUT	4	
	105036	COIL SCREW CONNECTOR	1	
	17H5122	DISTRIBUTOR CAP NUT	5	all models
19	214279A	WASHER, brass	6	
20	171-540	LEAD SEPARATOR	1	
17a	AAA5981M	IGNITION LEAD (Black) (sold per metre)	a/r	
21	GCL101	COIL (modern screw type HT connection)	1	
	143-210	COIL (reproduction of original Q12)	1	
22	CRST156	DECAL 'LUCAS' (coil)	1	
23	152-110	SPARK PLUG, 1/2" reach	4	TA, TB, TC, TD to (e)22734
	N5C	SPARK PLUG, 3/4" reach	4	TD from (e)22735, TF
24	433-530	LOCK BOLT, distributor	1	TB, TC, TD to (e)20941

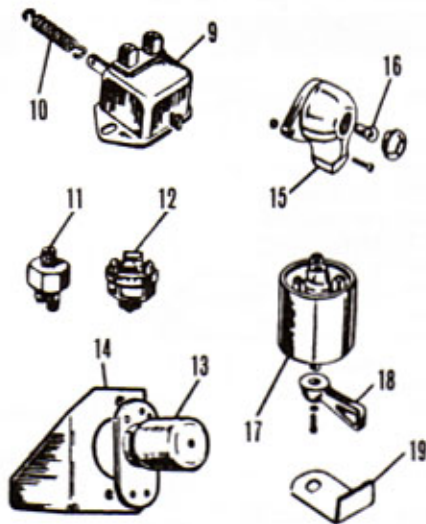




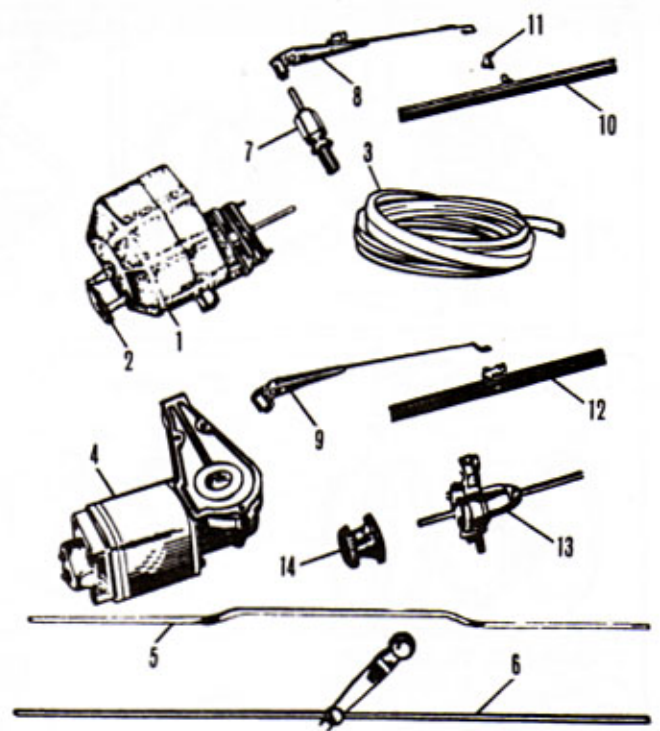
Ill. No	Part Number	Description	Qty. Req.	Details
---------	-------------	-------------	-----------	---------

Switches, Fuses & Regulator

1	141-900	REGULATOR, 9 post	1	TC, TD to (c)8141
2	3H1835	REGULATOR, 5 post	1	TD from (c)8142, TF
3	1G2613	FUSE BLOCK	1	
4	GFS35X	FUSE, 35 amp	a/r	
	GFS50X	FUSE, 50 amp	a/r	
5	3H1454	RELAY, turn signal indicator	1	all models
6	GFU2101	FLASHER, turn signal (original)	1	screw terminals
	GFU2103	FLASHER, turn signal (replacement)	1	push-on terminals



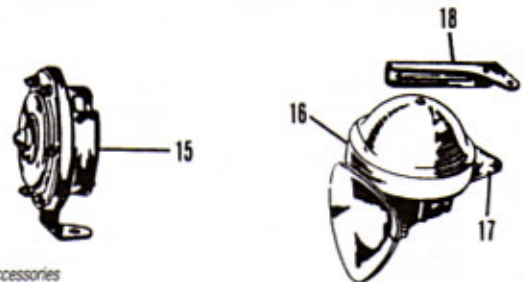
9	141-600	SWITCH, stop light	1	TA, TB, TC
10	150-700	SPRING, stop light switch	1	
11	C16062A	SWITCH, stop light	1	TD, TF
12	BAU1074A	SWITCH, reverse light	1	optional TD, TF
13	11G2007	SWITCH, dip, floor-mounted	1	TD from (c)18883
14	235-885	MOUNTING BRACKET, dip switch	1	
15	140-600**	SWITCH, turn signal	1	
16	GLB987	BULB, turn signal switch	1	TC '1949 EXU' models
**Can be fitted to TA's & TB's.				
17	AMK5607	SWITCH, turn signal	1	TD, TF
18	11K9308	HANDLE, turn signal switch	1	
19	235-887	BRACKET, turn signal switch	1	TD



Ill. No	Part Number	Description	Qty. Req.	Details
---------	-------------	-------------	-----------	---------

Wiper Motor, Arms & Blades

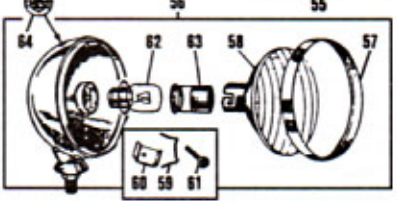
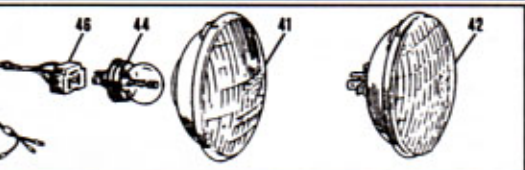
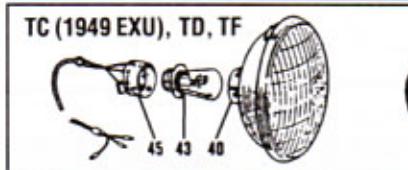
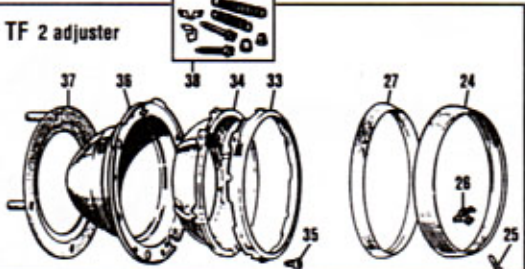
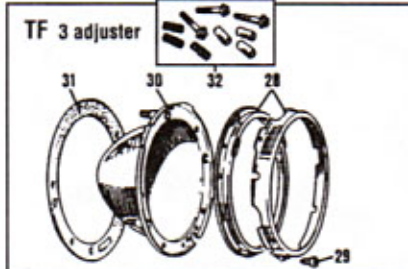
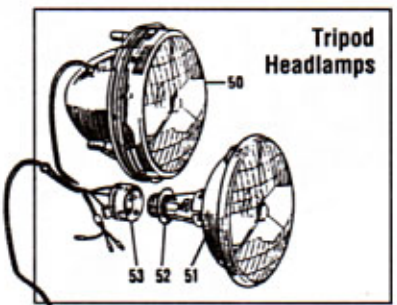
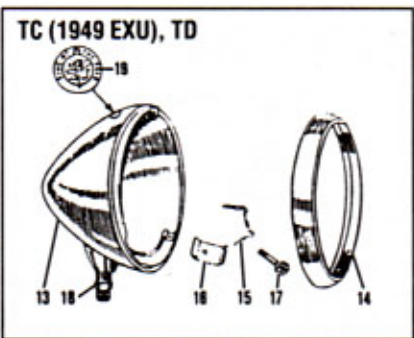
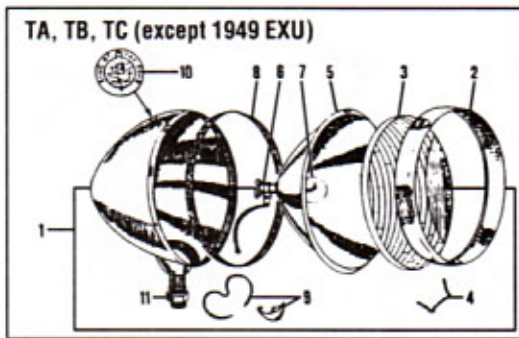
1	145-300	WIPER MOTOR, New	1	
		BRUSH SET	1	
		COVER, with switch & handle	1	TA, TB, TC, TD
		HANDLE & NUT	1	
2	160-500	WIPER WIRE, original type	1	
3	162-020	WIPER MOTOR	1	TF
		MOTOR, without gear head	1	
4	145-400	CONNECTING BAR, wipers	1	TA, TB, TC, TD to (c)22314
5	451-110	CONNECTING BAR, wipers	1	TD from (c)23315
6	451-140	BEARING, idler	1/2	late TD uses 2
7	160-600	WIPER ARM, LH	1	TA, TB, TC, TD
8	160-690	WIPER ARM, RH	1	TD to (c)23314
	160-700	WIPER ARM, LH	1	TD from (c)23315
	160-800	WIPER ARM, RH	1	
9	161-050	WIPER ARM	2	TF
10	160-300	WIPER BLADE	2	TA, TB, TC, TD
11	160-400	RUBBER RETAINER, wiper blade	2	
12	160-900	WIPER BLADE	2	
13		WHEEL BOX, LH (with switch)	1	TF
		WHEEL BOX, RH	1	
14	160-520	KNOB, wiper control	2	



Horns

See also Accessories

15	165-900	HORN (exact repro. of TC original)	1	TA, TB, TC
16	1B9008	HORN, RH, high note	1	
		(Lucas replacement)		
	1B9007	HORN, LH, low note	1	TD, TF
		(Lucas replacement)		
17	160-200	BRACKET, horn mounting (flexible)	2	
18	AAA2107	BRACKET, RH horn, on bulkhead	1	TD
	AAA2088	BRACKET, LH horn, on bulkhead	1	



Ill. No	Part Number	Description	Qty. Req.	Details
---------	-------------	-------------	-----------	---------

Headlamps: TA, TB, TC except 1949 EXU models

1	169-018	HEADLAMP, 8" diameter	2	later TC type
2	156-410	RIM, chrome	2	
3	171-120	GLASS LENS	2	
4	156-500	WIRE CLIP, lens to rim	8	
5	171-130	REFLECTOR UNIT, with socket	2	
6	171-150	SOCKET, reflector	2	
7	170-400	BULB, original headlamp	2	
8	281-098	SEAL SET, 2 rubber seals	1	
9	154-500	RETAINER, clip and wire	2	
10	154-910	MEDALLION, "King of the Road"	2	
11	146-300	NUT, headlamp to bracket	2	

Headlamp Buckets: TC 1949 EXU models & TD

13	143-310	BUCKET	2	chrome with Lucas medallion
	143-300	BUCKET	2	painted without medallion
14	156-400	RIM, chrome	2	
15	156-500	WIRE CLIP, light unit to rim	8	
16	156-000	CLIP, shell to rim	2	
17	158-000	SCREW, clip to shell, chrome	2	
18	146-300	NUT, headlamp to bracket	2	
19	154-910	MEDALLION, "King of the Road"	2	for 143-310 only

Headlamp Buckets: TF

24	142001	CHROME RIM, outer	2	all TF models	
25	RTC465	SCREW, rim retaining	2		
26	37H7421A	CLIP, rim retaining	2		
27	3H2962	DUST EXCLUDER, rubber	2		
28	17H2505	INNER RIM, 2 pieces	2		
29	AB606021	SCREW, rim retaining	6		TF models
30	7H6838	HEADLAMP BUCKET, 3 adjuster type	2		with 3 adjusters
31	3H1031	SEAL, bucket to body	2		(as originally fitted)
32	17H5394K	ADJUSTER KIT	2		
		(incs. 3 screws, 3 springs & 3 sleeves)			
33	515281A	OUTER MOUNTING RING, chrome	2		
34	SML4	INNER MOUNTING RING	2	TF models	
35	AB606021	SCREW, rim retaining	6	with 3 adjusters	
36	SML3	HEADLAMP BUCKET, 2 adjuster type	2	(replacement type)	
37	13H565	SEAL, bucket to body	2		
38	BHM7058	ADJUSTER KIT	2		
		(incs. 2 screws, 2 ferrules, 2 springs & 2 clips)			

Ill. No	Part Number	Description	Qty. Req.	Details
---------	-------------	-------------	-----------	---------

Headlamp Lenses & Bulbs: TC 1949 EXU models, TD, TF

40	GLU501	LIGHT UNIT, BPF lamp, RHD	2	
	GLU517	LIGHT UNIT, BPF lamp, LHD	2	
41	27H4146A	LIGHT UNIT, P45T asymmetric, LHD	2	
42	GLU101	LIGHT UNIT, sealed beam, RHD	2	
	BMK2508	LIGHT UNIT, sealed beam, LHD	2	
43	GLB414	BULB, BPF, clear, RHD	2	
	GLB415	BULB, BPF, clear, LHD	2	
	GLB409X	BULB, BPF, cadmium yellow, LHD	2	
44	GLB410	BULB, P45T, clear	2	
	GLB411	BULB, P45T, cadmium yellow	2	
	GLB2983	BULB, P45T, halogen, clear	2	
45	27H2333	ADAPTOR & CABLES	2	BPF units
46	BAU2110	ADAPTOR & CABLES	2	P45T & sealed beam units

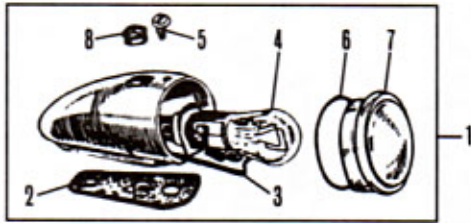
Tripod Headlamps

50	506370X*	TRIPOD HEADLAMP	2	complete unit with bulb & adaptor	RHD models
51	LU554308	LIGHT UNIT	2		
52	GLB414	BULB	2		
53	27H2333	ADAPTOR & CABLES	2	complete unit with bulb & adaptor	LHD models
50	507372X*	TRIPOD HEADLAMP	2		
51	LU555296	LIGHT UNIT	2		
52	GLB415	BULB	2		
53	27H2333	ADAPTOR & CABLES	2		

Fog Lamps

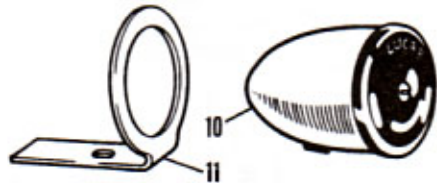
<i>See also Accessories</i>					
55	169-020	FOG LAMP	1	(exact reproduction of FT27 assembly)	TA, TB, TC to (c)4738
		BULB	1		
56	169-000	FOG LAMP	1	(exact reproduction of Lucas SFT 462)	
57	156-420	RIM, chrome	1		
58	171-140	LIGHT UNIT	1		
59	154-200	WIRE CLIP, light unit to rim	3		TC from (c)4739
60	156-000	CLIP, shell to rim	1		
61	323-090	SCREW, clip to shell, chrome	1		
62	GLB382	BULB	1		
63	171-410	BULB SHIELD	1		
64	154-920	MEDALLION, "King of the Road"	1		

Ill. No	Part Number	Description	Qty. Req.	Details
---------	-------------	-------------	-----------	---------



Side Lamp: all models

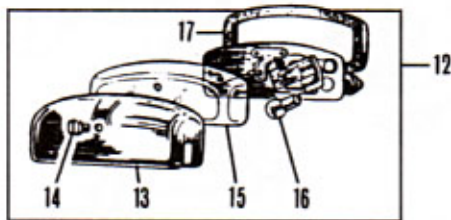
1	143-400	SIDE LAMP	2	with "King of the Road" medallion
2	281-068	PAD SET, lamp to wing	1	2 pads
3	157-600	SOCKET, double contact	2	included with side lamp
	157-590	SOCKET, single contact	2	Not included with side lamp
4	170-900	BULB, double contact	2	included with side lamp
	GLB207	BULB, single contact	2	Not included with side lamp
5	146-100	SCREW, lens retaining	2	chrome
6	281-088	RING SET, lens sealing	1	2 rubber rings
7	157-750	LENS, glass	2	with chrome rim
8	154-900	MEDAL (red plastic)	2	"King of the Road"



Rear Turn Signal Lamp

TC - 1949 USA Export models only

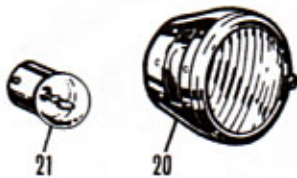
10	143-975	REAR TURN SIGNAL LAMP	2	
11	143-985	BRACKET, rear turn signal	2	



Number Plate Lamp

TC - 1949 USA Export models only, TD, TF

12	127916	NUMBER PLATE LAMP	1	
13	502264	COVER	1	
14	17H5385	SCREW, cover	1	
15	601721A	LENS, glass	1	
16	GLB989	BULB	1/2	
17	57H5368	SEAL, rubber	1	

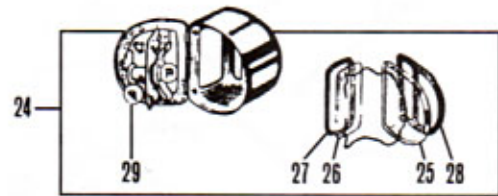


Tail Lamp Assembly

TA to (c)1789

20	143-890	TAIL LAMP, round	2	
21	GLB207	BULB, original tail lamp	4	

Ill. No	Part Number	Description	Qty. Req.	Details
---------	-------------	-------------	-----------	---------

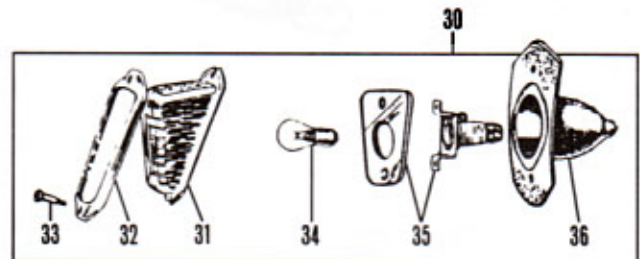


Tail Lamp Assembly

TA from (c)1790, TB, TC

(see "Body Panels & Fittings - Chassis Frame" for mounting plates)

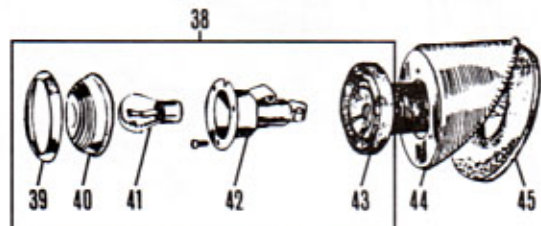
24	143-900	TAIL LAMP	2	chrome, original "D" lamp
25	154-600	LENS, split "D", red	2	
26	143-920	SIDE LENS, clear	2	
27	143-930	GASKET, side lens	2	
28	143-940	GASKET, split "D" lens	2	
29	GLB380	BULB, replacement tail lamp	2	
	GLB207	BULB, original tail lamp	4	



Tail Lamp Assembly

TD, up to (c)21302

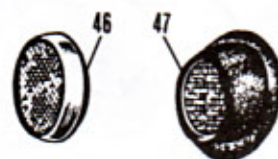
30	157-908	TAIL LAMP	2	
31	501943X	GLASS LENS, tail lamp	2	
32	157-920	Rim, chrome	2	
33	157-800	SCREW, rim to wing, chrome	4	
34	GLB380	BULB	2	
35	158-310	SOCKET & PLATE	2	
36	280-510	BODY	2	



Tail Lamp Assembly

TD, from (c)21303, TF

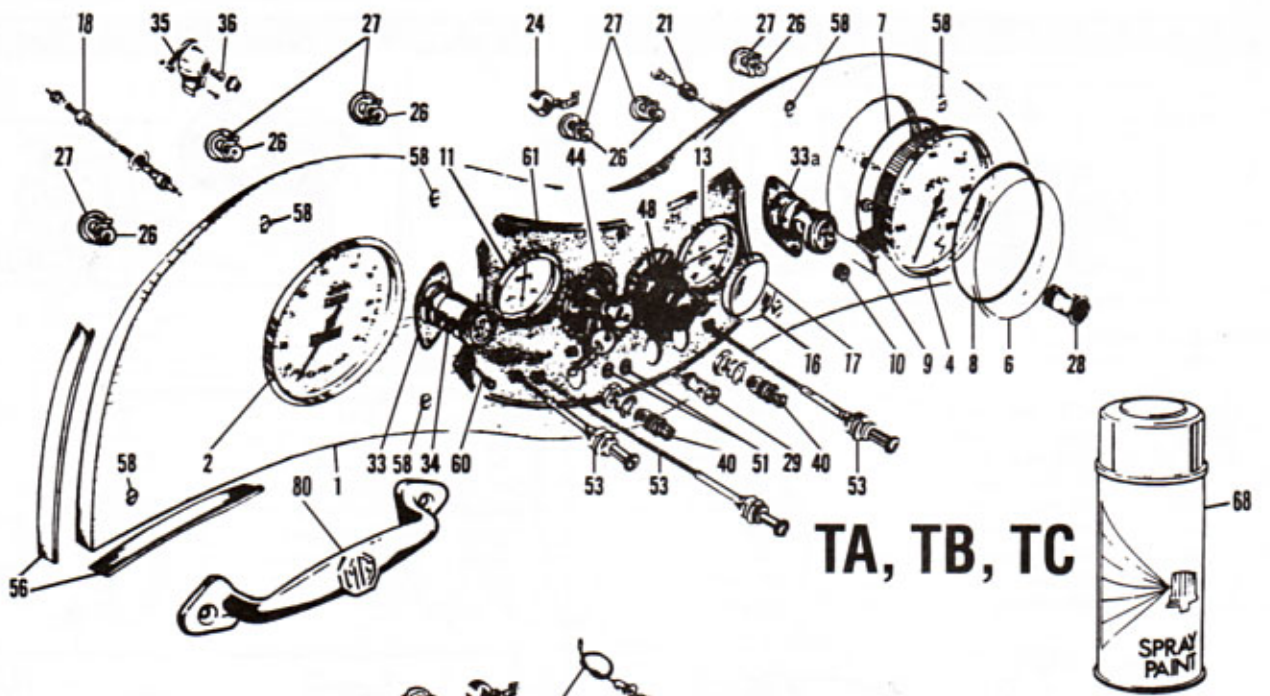
38	3H1814	TAIL LAMP	2	
39	7H5182	Rim, chrome	2	
40	7H5183	LENS, glass	2	
41	GLB380	BULB	2	
42	17H5426	SOCKET	2	
43	37H5481	BODY	2	
44	406-900	ADAPTOR, lamp to wing, chrome	2	
45	281-338	PAD SET, adaptor to wing	1	includes 2 pads



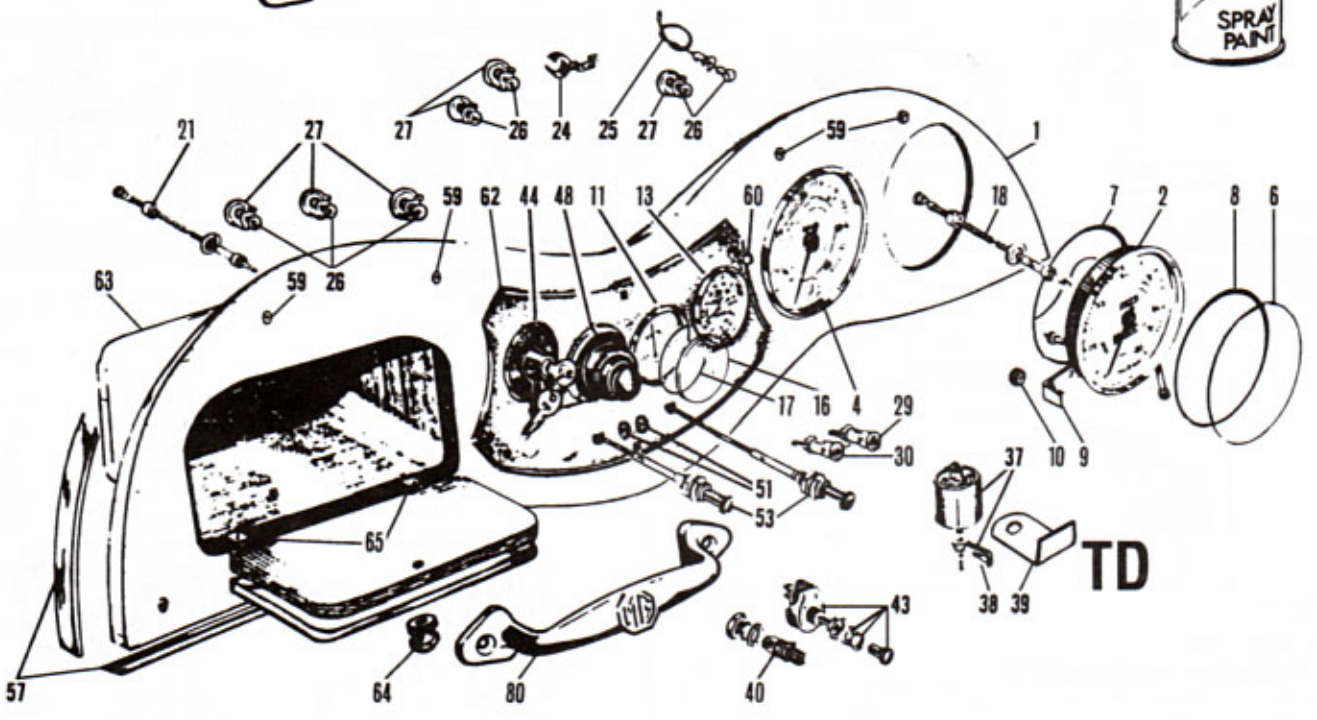
Reflector

TD & TF

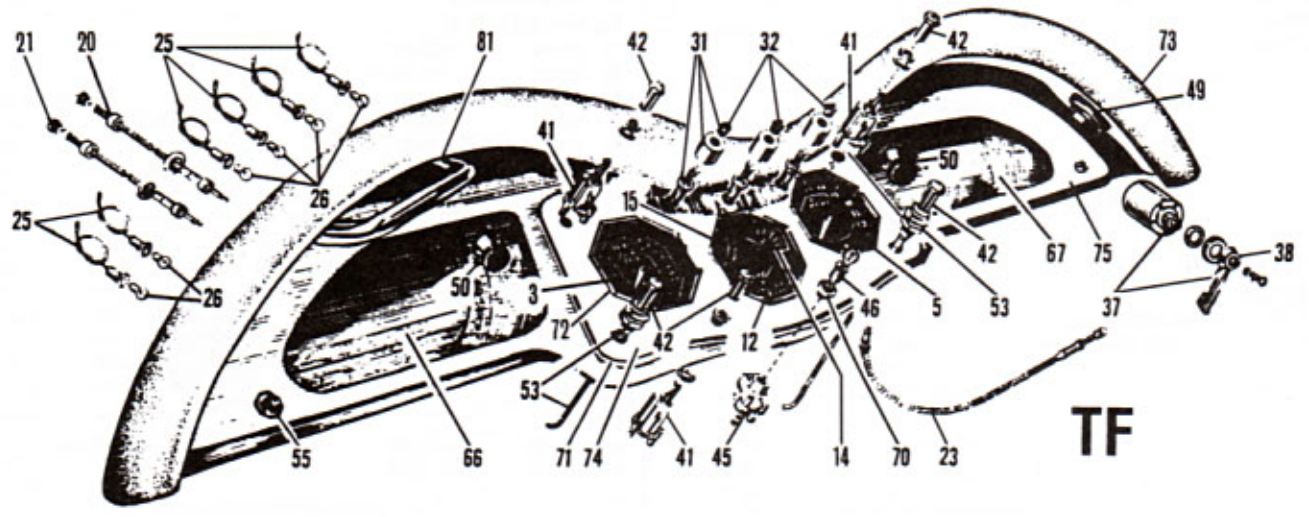
46	144-700	REFLECTOR	2	late TD MkII
47	144-600	REFLECTOR	2	TF



TA, TB, TC



TD



TF

Ill. No	Part Number	Description	Qty. Req.	Details
---------	-------------	-------------	-----------	---------

Dashboard, Switches, Instruments & Cables

Dashboards, TA, TB, TC, TD

We offer dashboards both in a finished veneer or a plain plywood. TA's, TB's & TC's to approximately (c)5000 were originally fitted with the finished veneered dashboards. TC's from approximately (c) 5000 and all TDs were fitted with the plain plywood.

1	456-885	DASHBOARD, finished veneer	1	TA, TB
	456-895	DASHBOARD, plywood	1	
	233-635	DASHBOARD, finished veneer	1	TC
	456-890	DASHBOARD, plywood	1	
	233-530	DASHBOARD, finished walnut veneer	1	TD RHD
	233-570	DASHBOARD, plywood	1	
	233-645	DASHBOARD, finished walnut veneer	1	TD, LHD
	233-510	DASHBOARD, plywood	1	

Instruments & Cables

Our 'replica' speedometers & tachometers, while not quite original enough to call 'reproduction', are excellent replacements for the completely obsolete TC and early TD flat-faced instruments. They can also be used to replace the obsolete dish-faced TD instruments if required.

We no longer offer rebuilding service on speedometers, tachometers or clocks.

2	360-460	REPLICA SPEEDOMETER	1	TC, TD to (c)10778
		SPEEDOMETER, (repro of original)	1	
3		SPEEDOMETER, (repro of original)	1	TF
		METAL FACE SET, tach & speedo'	1	
4	360-470	REPLICA TACHOMETER	1	TD from (c)10779
		TACHOMETER, repro. of original	1	
5		TACHOMETER, repro. of original	1	TA, TB, TC, TD
6	502268	GLASS, speedo' & tach	2	
	AJH5177	GLASS, instrument cluster	3	TF
7	280-860	O' RING, speedo' & tach. to dash	2	TA, TB, TC, TD
8		O' RING, lens to speedo' & tach	2	
9	361-030	BRACKET	2	TA, TB, TC, TD to (c)10778
		speedometer & tachometer		
10	361-020	NUT, brass, bracket to speedo' & tach	4	TA, TB, TC, TD
11	360-500	AMMETER, -20-20+ (reproduction)	1	
		AMMETER, -30-30+ (reproduction)	1	TD from (c)10779
12	360-520	AMMETER	1	TF
13	360-490	GAUGE, oil pressure	1	
	360-070	GAUGE, oil pressure/water temp	1	TD from (c)13914
14	360-250	GAUGE, oil pressure	1	TF
	360-100	GAUGE, water temperature	1	
15	360-160	GAUGE, water temperature	1	TF
	360-130	GAUGE, oil temperature	1	
	AH5323	PIPE, oil pressure gauge to fitting	1	TB, TC, TD, TF
	AAA628	FITTING, oil pipe (on bulkhead)	1	
	361-050	ADAPTOR, water temperature line to radiator, male/female	1	as required
	361-060	ADAPTOR, water temperature line to radiator, male/female	1	
16	502269	GLASS, 2" gauge	a/r	TA, TB, TC, TD
17		O' RING, lens to 2" gauge	a/r	
	17H1642	O' RING, 2" gauge to dash	a/r	TA, TB (5" 8")
18	331-135	CABLE, speedometer, original (push-on speedometer end)	1	
	331-140	CABLE, speedometer, original	1	TD LHD (6" 6")
	331-150	CABLE, speedometer, original	1	TF
20	331-140	CABLE, speedometer, original	1	
21	331-035	CABLE, tachometer, 4' (push-on both ends)	1	TA, TB
	331-045**	CABLE, tachometer, 4' (push-on tach end & screw-on dynamo end)	1	
	331-160	CABLE, tachometer, original	1	TD, TF, LHD
		CABLE, trip reset, replacement	1	TF
23	361-070	BRACKET, dash lamp mounting	4	TA, TB, TC, TD to (c)10778
		SOCKET & BULB, (TD uses 1)	1/6	
24		BULB, dash, screw base	a/r	TA, TB, TC, TD
25	161-918	SOCKET, dash bulb, orig. gauge	6	
26	GLB987	LAMP, fuel warning	1	TC
27	070066	LAMP, ignition warning, red	1	
28	142-600	LAMP, warning, green	1/2	TD (late TD uses 2)
29	2H2838	LAMP, warning, with 3 lenses	3	

** Note: The TC reduction gearbox (page 64 - item no. 17) can be fitted to TA's & TB's if a push-on tach end & screw-on dynamo end tachometer cable is used.

Ill. No	Part Number	Description	Qty. Req.	Details
---------	-------------	-------------	-----------	---------

32	151-400	LENS, red	1	TF
	AJG5046	LENS, green	1	
	151-600	LENS, blue	1	
33	144-500	MAP LIGHT	1	TA, TB, TC
33a	PWT1484	COVER (30mph warning lamp)	1	
34	GLB207	BULB, map light	2	

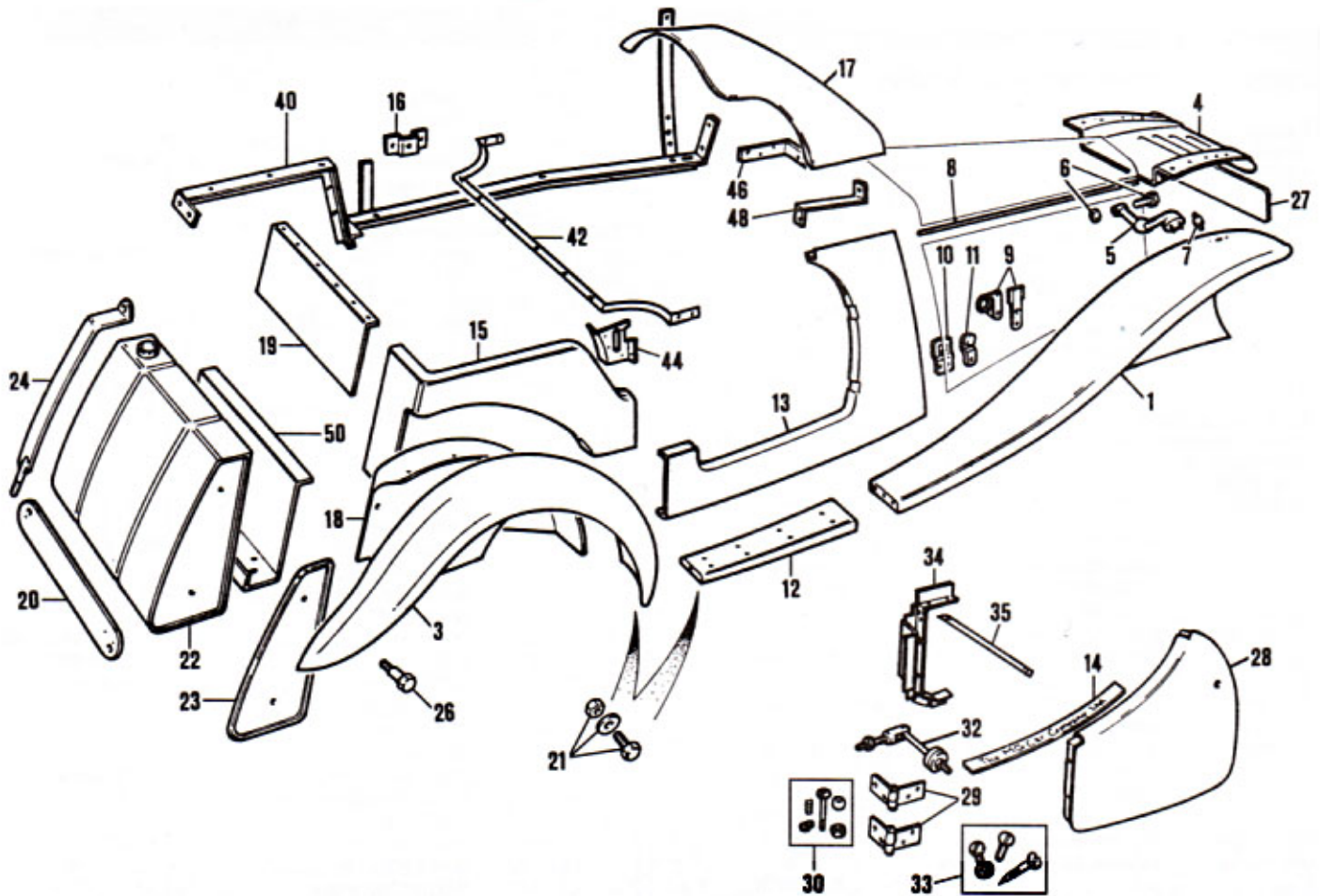
Switches & Miscellaneous Trim

35	140-600*	SWITCH, turn signal	1	TC 1949 EXU models
36	GLB987*	BULB, turn signal switch	1	
		*Note: Can be fitted to TA's & TB's.		
37	AMK5607	SWITCH, turn signal, with handle	1	TD, TF
38	11K9308	HANDLE, turn signal switch	1	
39	235-887	BRACKET, signal switch mounting	1	TD
40	141-000	SWITCH, fog light, panel	1/2	
41	3H3098	SWITCH, light, panel & accessories	3	TF
42	150-908	DASH KNOB SET, lettered, original style	1	
43	145-900	SWITCH, panel light rheostat, with knob	1	TD from (c)10701
	145-907	KNOB, push-on type	1	
	145-905	KNOB, screw type	1	TA, TB, TC, TD
	500513S	SCREW, (for part no. 145-905)	1	
44	141-510	SWITCH, ignition/headlamp (with 2 keys)	1	TF
45	141-010	SWITCH BODY, ignition	1	
46	24G1345	BARREL & KEYS	1	TA, TB, TC, TD to (c)18882
48	140-700	SWITCH, horn/dip, reproduction	1	
	140-808	BUTTON, horn push	1	TA, TB, TC, TD
	233-950	CHROME WASHER SET (behind horn push)	1	
49	2H3383	BUTTON, horn push	1	TF
50	160-520	KNOB, wiper control	2	
51	NBEL147	SOCKET SET, accessory plug	1	TA, TB, TC, TD
	NBEL148	PLUG, optional accessory	1	
53	331-370	STARTER CABLE, original	1	TA, TB, TC
	331-380	CHOKE CABLE, original	1	
	MM331-390	SLOW RUNNING CABLE, original	1	TD
	331-280	STARTER CABLE, original	1	
	331-290	CHOKE CABLE, original	1	TF
	331-400	STARTER CABLE, original	1	
	331-410	CHOKE CABLE, original	1	TF
55	408-400	MEDALLION, dash	1	
56	454-100	BEAD SET, dash	1	TA, TB, TC
57	454-110	BEAD SET, dash and glove box	1	
58	323-838	SCREW & WASHER SET, dash	1	TA, TB, TC (8 of each)
59	323-848	SCREW & WASHER SET, dash	1	
60	321-478	BOLT & NUT SET, instrument panel	1	TA, TB, TC, TD (6 of each)
61	408-860	PANEL (Black), instrument cluster	1	
	408-865	PANEL (Bronze), instrument cluster	1	Late TC
62	408-870	PANEL, instrument cluster	1	TD
63	454-155	GLOVE BOX	1	
64	408-190	KNOB, glove box door	1	2
65	406-910	HINGE, glove box door	1	
66	454-350	GLOVE BOX, LH	1	TF
67	454-360	GLOVE BOX, RH	1	
	456-105	TOP, glove box, LH	1	TA, TB
	456-125	TOP, glove box, RH	1	
	451-765**	UNDER DASH SHIELD KIT	1	TC
	451-785**	UNDER DASH SHIELD KIT	1	
	451-795**	UNDER DASH SHIELD KIT	1	TD
	451-800	UNDER DASH SHIELD	1	
	449-005	UNDER DASH SHIELD H-FRAME	1	
		**Note: Kits include all brackets, hardware, vinyl covering, board and instructions.		
68		SPRAY PAINT, instrument panel (Custom formulated to duplicate original colours)	a/r	see inside back cover
70	408-215	BEZEL, ignition switch	1	TF
71	408-195	TRIM, cluster panel	1	
72	408-205	BEZEL, octagonal, for instruments	3	1
73	280-595	COWL RUBBER (uncovered)	1	
74	408-895	CLUSTER PANEL	1	1
75	456-905	DASH PANEL, steel	1	
80	229-100	GRAB HANDLE, with MG motif	1	TA, TB, TC, TD
81	229-220	GRAB HANDLE, curved	1	

Decals

Use these decals to replace, or restore, the original items that were originally painted & directly silk screened.

215-100	INSTRUMENT DECAL SET	1	TA, TB, TC
			TD to (c)10751



Ill. No	Part Number	Description	Qty. Req.	Details
---------	-------------	-------------	-----------	---------

Body Panels, TA, TB

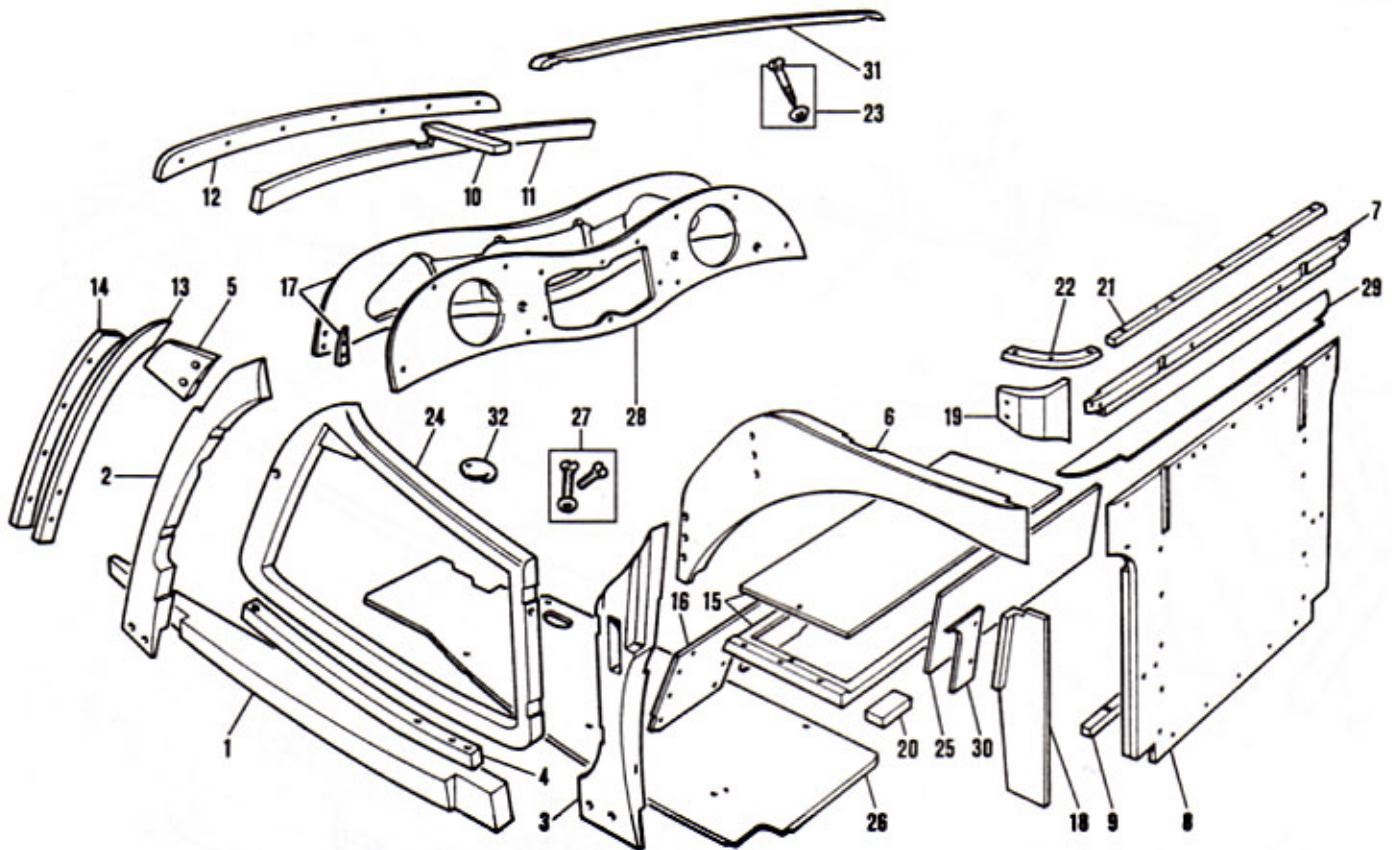
1	456-510	FRONT WING, RH	1	
	456-500	FRONT WING, LH	1	
NI	MM236-210	WING COVERS (Accessory)	1pr	
<i>These very practical black padded vinyl wing covers are specially tailored to fit your particular model. Protect that expensive finish from wayward spanners and greasy hands. Both left and right covers are supplied in the set.</i>				
3	450-000	REAR WING, RH	1	TA to (c)1090
	456-610	REAR WING, RH	1	TA from (c)1091, TB
	450-005	REAR WING, LH	1	TA to (c)1090
	456-600	REAR WING, LH	1	TA from (c)1091, TB
4	457-100	SPLASH APRON, front	1	
5	407-390	BRACKET, headlamp, RH	1	
	407-380	BRACKET, headlamp, LH	1	
6	321-288	BOLT & NUT SET, headlamp bracket	2	1 of each
7	328-175	STUD, headlamp bracket	4	
8	453-280	ROD, brass (side panel attaching)	2	
9	406-855	BONNET LATCH, RH	2	cadmium plated
	406-860	BONNET LATCH, LH	2	
10	406-810	BRACKET, bonnet latch (on wing)	4	
11	406-828	BUFFER PLATE SET, bonnet	1	4 buffers & plates
	280-205	BUFFER, bonnet, each	4	
12	450-010	RUNNING BOARD, RH	1	
	450-015	RUNNING BOARD, LH	1	
13	457-215	FRONT QUARTER PANEL, RH	1	
	457-225	FRONT QUARTER PANEL, LH	1	
14	451-398	THRESHOLD PLATE SET	1pr	
<i>(2 plates etched with 'The MG Car Company Ltd')</i>				
15	450-020	REAR QUARTER PANEL, RH	1	TA to (c)1090
	450-025	REAR QUARTER PANEL, RH	1	TA from (c)1091, TB
	450-030	REAR QUARTER PANEL, LH	1	TA to (c)1090
	450-035	REAR QUARTER PANEL, LH	1	TA from (c)1091, TB
16	450-040	BRACKET, rear side screen	2	
17	446-010	SCUTTLE TOP	1	
18	457-210	WHEEL ARCH, RH	1	
	457-200	WHEEL ARCH, LH	1	

Ill. No	Part Number	Description	Qty. Req.	Details
---------	-------------	-------------	-----------	---------

19	457-175	REAR PANEL	1	between rear quarter panels
20	450-045	BLANK PLATE, round lamps	1	TA to (c)1789
	451-725	BLANK PLATE, 'D' lamps	1	TA from (c)1790, TB
21	321-778	BOLT & NUT SET	1	wing & running boards to body
22	456-760	FUEL TANK	1	TA to (c)1090
	456-765	FUEL TANK	1	TA from (c)1091, TB
23	451-638	END PANEL SET, fuel tank	1	2 chrome end panels
24	451-600	STRAP, fuel tank, primed	2	
	450-055	STRAP, fuel tank, chromed	2	optional
26	320-840	BOLT, wing to fuel tank	2	
27	451-715	NUMBER PLATE, blank (front)	1	
28	446-015	DOOR ASSEMBLY, RH	1	Panelled
	446-020	DOOR ASSEMBLY, LH	1	
29	401-858	DOOR HINGE SET	1	4 hinges & mounting hardware
30	401-878	PIVOT BOLT SET, door hinge	1	complete set with balls
32	405-500	DOOR CHECK	2	
33	323-868	SCREW SET	1	for hinges, locks, strikers
34	450-060	STRENGTHENER, door hinge, RH	1	
	450-065	STRENGTHENER, door hinge, LH	1	
35	450-780	DOOR TWIST STRIP	2	

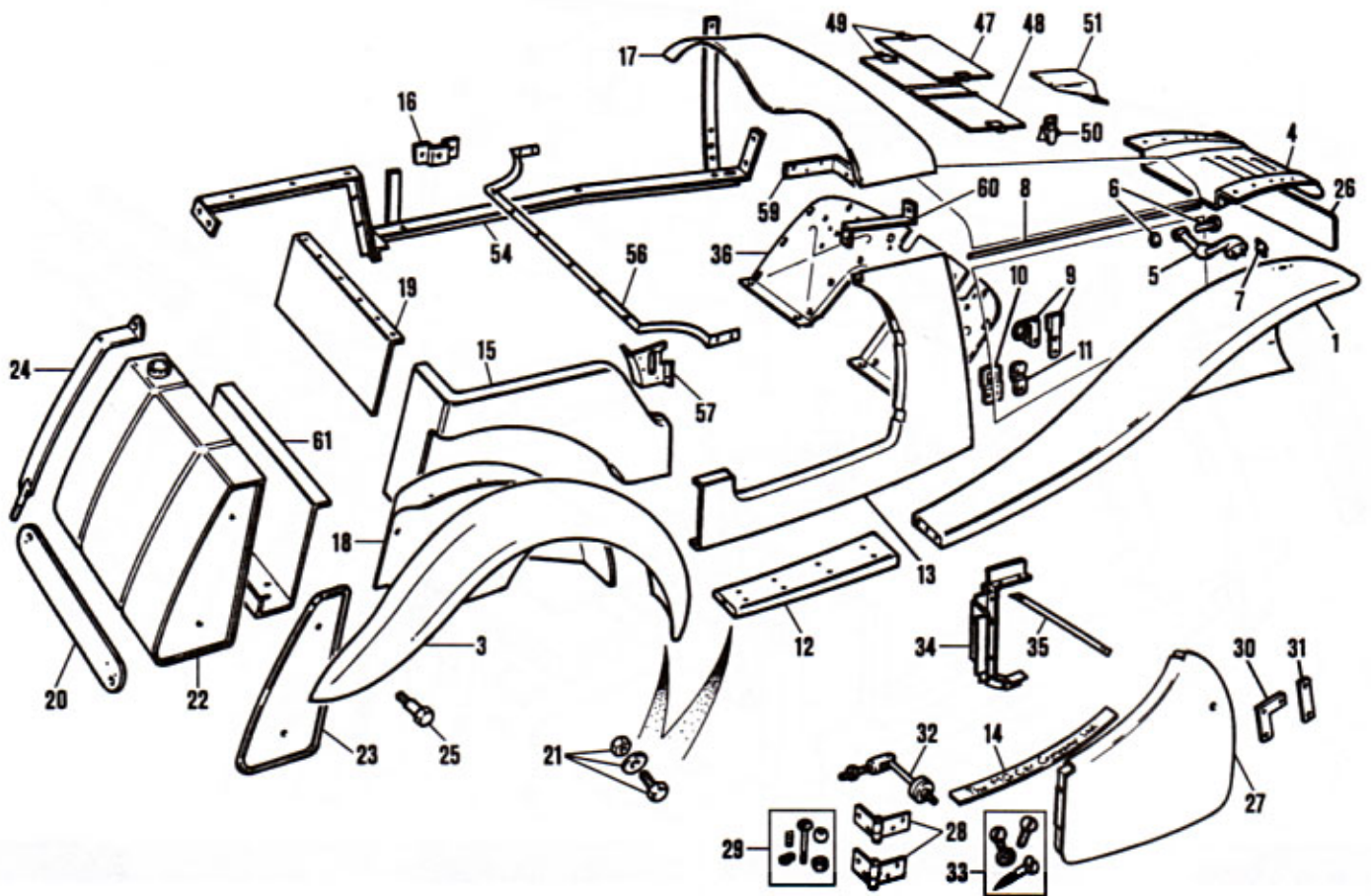
Body Tub Steelwork

40	450-075	FRAME, Body/Chassis, LH	1	TA to (c)1090
	450-080	FRAME, Body/Chassis, LH	1	TA from (c)1091, TB
	450-085	FRAME, Body/Chassis, RH	1	TA to (c)1090
	450-090	FRAME, Body/Chassis, RH	1	TA from (c)1091, TB
42	450-095	STRENGTHENER, rear body	1	TA to (c)1090
	450-100	STRENGTHENER, rear body	1	TA from (c)1091, TB
44	450-105	BRACKET, rear door pillar, LH	1	
	450-110	BRACKET, rear door pillar, RH	1	
46	450-115	BRACKET, scuttle side, LH	1	
	450-120	BRACKET, scuttle side, RH	1	
48	450-125	BRACKET, scuttle top, LH	1	
	450-130	BRACKET, scuttle top, RH	1	
50	456-840	SIDE CURTAIN COMPARTMENT	1	front section only



Ill. No	Part Number	Description	Qty. Req.	Details
Body Tubs - TA to (c)1090				
	450-135	BODY TUB	1	} panelled with doors & scuttle top
	450-140	BODY TUB	1	
	450-145	BODY TUB	1	
Body Tubs - TA from (c)1091, TB				
	450-150	BODY TUB	1	} panelled with doors and scuttle top
	450-155	BODY TUB	1	
	450-160	BODY TUB	1	
Timber Components				
	449-550	TIMBER SET (includes all timbers to build body frame)	1	TA to (c)1090
	449-555	TIMBER SET (includes all timbers to build body frame)	1	TA from (c)1091, TB
1	450-165*	BOTTOM MAIN RAIL, LH	1	
	450-170*	BOTTOM MAIN RAIL, RH	1	
2	450-175*	FRONT BODY PILLAR, LH	1	
	450-180*	FRONT BODY PILLAR, RH	1	
3	450-185*	REAR BODY PILLAR, LH	1	
	450-190*	REAR BODY PILLAR, RH	1	
4	450-195*	UNDER DOOR RAIL, LH	1	
	450-200*	UNDER DOOR RAIL, RH	1	
5	450-560*	FRONT BODY PILLAR 'X Piece'	1	LH
	450-565*	FRONT BODY PILLAR 'X Piece'	1	RH
6	450-215*	REAR WHEEL ARCH, LH	1	(2 piece)
	450-220*	REAR WHEEL ARCH, RH	1	
7	450-225*	REAR TOP RAIL	1	
8	450-230*	REAR CENTRE PANEL	1	TA to (c)1090
	450-235*	REAR CENTRE PANEL	1	TA from (c)1091, TB
9	450-240*	REAR BOTTOM RAIL	1	
10	450-245*	CROSS PIECE, dash to bulkhead	1	
11	450-250*	FRONT TOP RAIL, inner	1	
12	450-255*	FRONT TOP RAIL, outer	1	
13	450-260*	FRONT SIDE RAIL, inner, LH	1	
	450-265*	FRONT SIDE RAIL, inner, RH	1	

Ill. No	Part Number	Description	Qty. Req.	Details
14	450-270*	FRONT SIDE RAIL, outer, LH	1	
	450-275*	FRONT SIDE RAIL, outer, RH	1	
15	450-280*	PANEL ASSEMBLY above rear axle	1	TA to (c)1090
	450-285*	PANEL ASSEMBLY above rear axle	1	TA from (c)1091, TB
16	450-290*	REAR PROPSHAFT COVER	1	TA to (c)1090
	450-635*	REAR PROPSHAFT COVER	1	TA from (c)1091, TB
17	450-300*	INNER DASHBOARD PANEL	1	
18	450-305*	SIDE of SIDESCREEN BOX, LH	1	
	450-310*	SIDE of SIDESCREEN BOX, RH	1	
19	450-315*	REAR ANGLED CORNER Piece, LH	1	TA to (c)1090
	450-320*	REAR ANGLED CORNER Piece, LH	1	TA from (c)1091, TB
	450-325*	REAR ANGLED CORNER Piece, RH	1	TA to (c)1090
	450-330*	REAR ANGLED CORNER Piece, RH	1	TA from (c)1091, TB
20	450-335*	REAR FILLET, LH	1	TA to (c)1090
	450-340*	REAR FILLET, LH	1	TA from (c)1091, TB
	450-345*	REAR FILLET, RH	1	TA to (c)1090
	450-350*	REAR FILLET, RH	1	TA from (c)1091, TB
<i>*Note: All items marked * are included in the relevant TA, TB Timber Set.</i>				
21	450-355	RAIL, rear top finisher	1	
22	450-360	RAIL, rear corner finisher, LH	1	
	450-365	RAIL, rear corner finisher, RH	1	
23	323-858	SCREW SET, hood tacking strips	1	
24	450-370	DOOR FRAME ASSEMBLY, LH	1	
	450-375	DOOR FRAME ASSEMBLY, RH	1	
25	450-380	SIDESCREEN BOX DOOR	1	
26	450-390	FLOORBOARD, LH	1	TA to (c)1090
	450-395	FLOORBOARD, LH	1	TA from (c)1091, TB
	450-400	FLOORBOARD, RH	1	TA to (c)1090
	450-405	FLOORBOARD, RH	1	TA from (c)1091, TB
27	323-818	SCREW & WASHER SET	1	floorboards, complete alternatives
28	456-885	DASHBOARD FASCIA, Finished Veneer	1	
	456-895	DASHBOARD FASCIA, plain	1	
29	450-415	SIDESCREEN BOX TOP SHELF	1	TA to (c)1090
	450-420	SIDESCREEN BOX TOP SHELF	1	TA from (c)1091, TB
30	450-425	FINISHER PIECE, side screen box, LH	1	TA to (c)1090
	450-430	FINISHER PIECE, side screen box, LH	1	TA from (c)1091, TB
	450-435	FINISHER PIECE, side screen box, RH	1	TA to (c)1090
	450-440	FINISHER PIECE, side screen box, RH	1	TA from (c)1091, TB
31	453-230	TOP RAIL (WOOD), over windscreen	1	
32	407-800	COVER, master cylinder inspection	1	



Ill. No	Part Number	Description	Qty. Req.	Details
---------	-------------	-------------	-----------	---------

Body Panels, TC

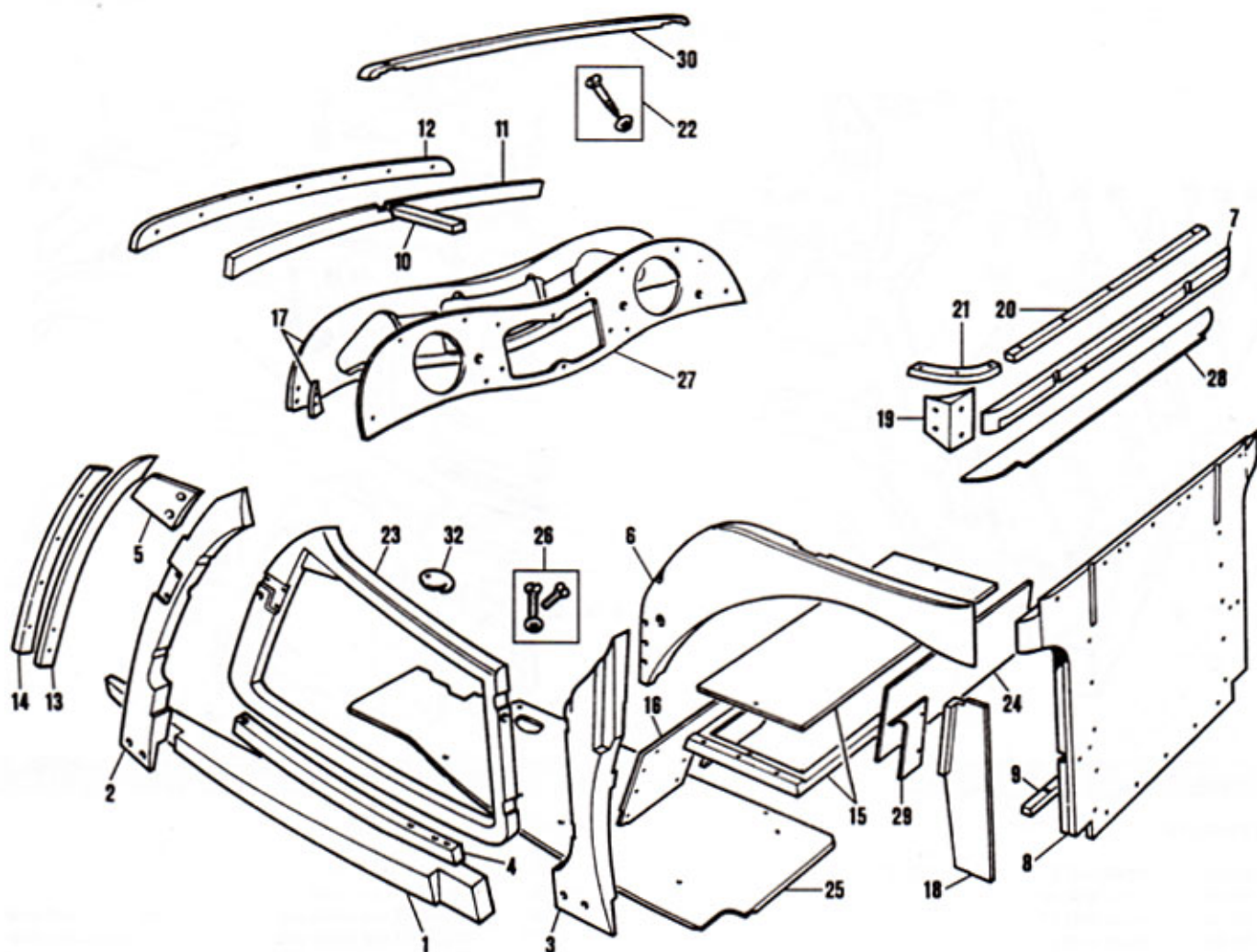
1	456-510	FRONT WING, RH	1	
	456-500	FRONT WING, LH	1	
NI	MM236-210	WING COVERS (Accessory)	1pr	
<i>These very practical black padded vinyl wing covers are specially tailored to fit your particular model. Protect that expensive finish from wayward spanners and greasy hands. Both left and right covers are supplied in the set.</i>				
3	456-610	REAR WING, RH	1	
	456-600	REAR WING, LH	1	
4	457-100	SPLASH APRON, front	1	
5	407-390	BRACKET, headlamp, RH	1	
	407-380	BRACKET, headlamp, LH	1	
6	321-288	BOLT & NUT SET, headlamp bracket	2	1 of each
7	328-175	STUD, headlamp bracket	4	
8	453-280	ROD, brass (side panel attaching)	2	
9	406-855	BONNET LATCH, RH	2	cadmium plated
	406-860	BONNET LATCH, LH	2	
10	406-810	BRACKET, bonnet latch, on wing	4	
11	406-828	BUFFER PLATE SET, bonnet	1	4 buffers & plates
	280-205	BUFFER, bonnet, each	4	
12	457-020	RUNNING BOARD, RH	1	
	457-010	RUNNING BOARD, LH	1	
13	457-310	FRONT QUARTER PANEL, RH	1	
	457-300	FRONT QUARTER PANEL, LH	1	
14	451-398	THRESHOLD PLATE SET	1pr	
<i>(2 plates etched with "The MG Car Company Ltd")</i>				
15	457-410	REAR QUARTER PANEL, RH	1	
	457-400	REAR QUARTER PANEL, LH	1	
16	450-040	REAR SIDE SCREEN BRACKET	2	
17	451-840	SCUTTLE TOP	1	
18	457-210	WHEEL ARCH, RH	1	
	457-200	WHEEL ARCH, LH	1	
19	457-190	REAR PANEL	1	between rear quarter panels
20	451-725	BLANK PLATE, lamps & number plate	1	
21	321-778	BOLT & NUT SET	1	wing & running boards to body

Ill. No	Part Number	Description	Qty. Req.	Details
---------	-------------	-------------	-----------	---------

22	456-770	FUEL TANK	1	
23	451-638	END PANEL SET, fuel tank	1	2 chrome end panels
24	451-600	STRAP, fuel tank, primed	2	
	450-055	STRAP, fuel tank, chromed	2	optional
25	320-840	BOLT, wing to fuel tank	2	
26	451-715	NUMBER PLATE, blank (front)	1	standard on all TC's
27	446-025	DOOR ASSEMBLY, RH	1	Panelled
	446-030	DOOR ASSEMBLY, LH	1	
	456-835	DOOR SKIN, RH	1	
	456-825	DOOR SKIN, LH	1	
28	401-858	DOOR HINGE SET	1	4 hinges & mounting hardware complete set with balls
29	401-878	PIVOT BOLT SET, door hinge	1	
30	401-180	MOUNTING PLATE, door lock	2	
31	401-190	MOUNTING PLATE, door striker	2	
32	405-500	DOOR CHECK	2	
33	323-868	SCREW SET	1	for hinges, locks, strikers
34	450-445	STRENGTHENER, door hinge, RH	1	
	450-450	STRENGTHENER, door hinge, LH	1	
35	450-780	DOOR TWIST STRIP	2	
36	450-460	BULKHEAD FOOT PLATE	1	
47	454-160	LID, battery box	1	
48	451-680	LID, tool box	1	
49	401-695	CLIP, battery & tool box lids	4	
50	401-685	LATCH, battery & tool boxes	4	
51	407-120	COVER, control cable (Bulkhead)	1	

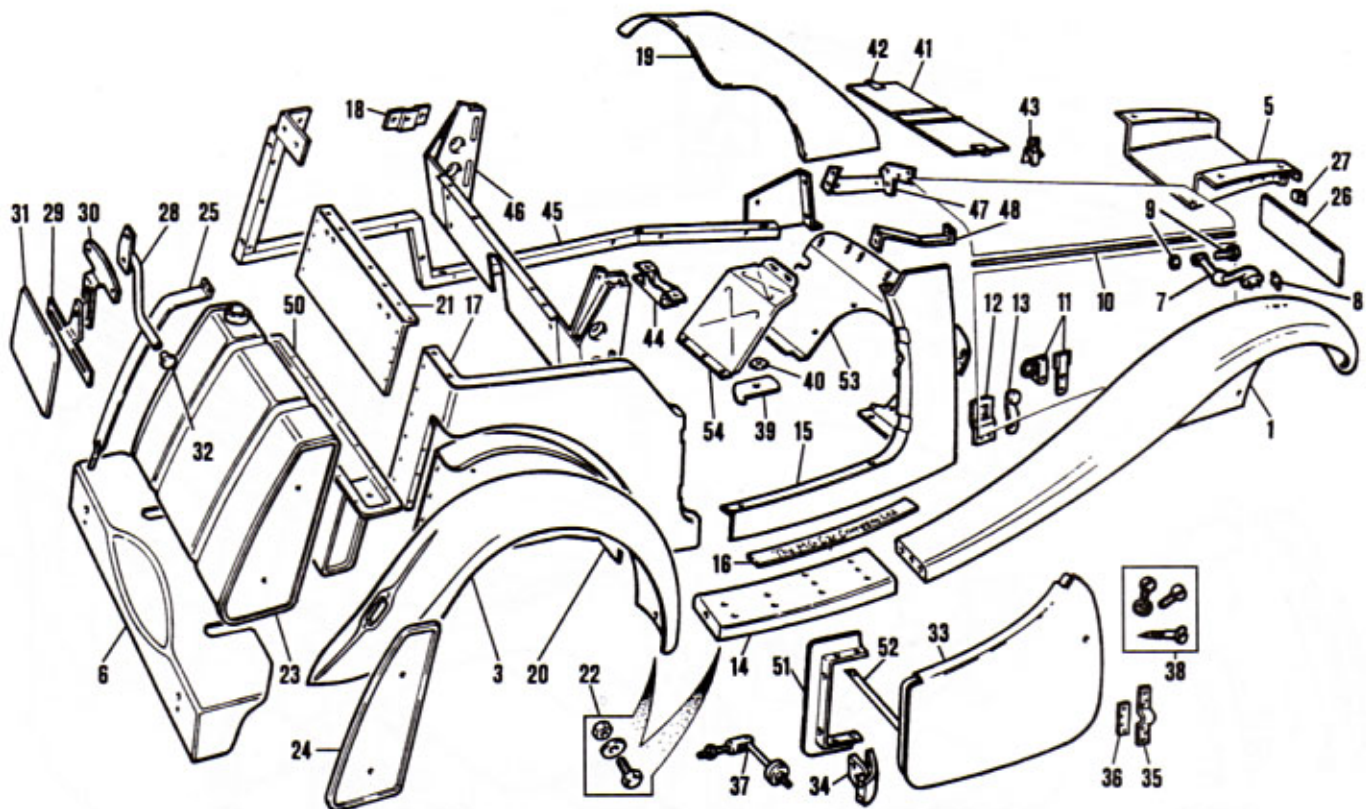
Body Tub Steelwork

54	450-465	FRAME, Body/Chassis, LH	1	
	450-470	FRAME, Body/Chassis, RH	1	
56	450-475	STRENGTHENER, rear body	1	
57	450-480	BRACKET, rear door pillar, LH	1	
	450-485	BRACKET, rear door pillar, RH	1	
59	450-490	BRACKET, scuttle side, LH	1	
	450-495	BRACKET, scuttle side, RH	1	
60	450-500	BRACKET, scuttle top, LH	1	
	450-505	BRACKET, scuttle top, RH	1	
61	456-840	SIDE CURTAIN COMPARTMENT	1	front section only



Ill. No	Part Number	Description	Qty. Req.	Details
Body Tub				
	459-500	BODY TUB	1	panelled with doors and scuttle top
	450-510	BODY TUB	1	
	450-515	BODY TUB	1	
Timber Components				
	449-560	TIMBER SET (includes all timbers to build body frame)	1	
1	450-520*	BOTTOM MAIN RAIL, LH	1	
	450-525*	BOTTOM MAIN RAIL, RH	1	
2	450-530*	FRONT BODY PILLAR, LH	1	
	450-535*	FRONT BODY PILLAR, RH	1	
3	450-540*	REAR BODY PILLAR, LH	1	
	450-545*	REAR BODY PILLAR, RH	1	
4	450-550*	UNDER DOOR RAIL, LH	1	
	450-555*	UNDER DOOR RAIL, RH	1	
5	450-560*	FRONT BODY PILLAR 'X Piece'	1	LH
	450-565*	FRONT BODY PILLAR 'X Piece'	1	RH
6	450-570*	REAR WHEEL ARCH, LH	1	(2-piece)
	450-575*	REAR WHEEL ARCH, RH	1	
7	450-580*	REAR TOP RAIL	1	
8	450-585*	REAR CENTRE PANEL	1	
9	450-590*	REAR BOTTOM RAIL	1	
10	450-595*	CROSSPIECE, dash to bulkhead	1	
11	450-600*	FRONT TOP RAIL, inner	1	
12	450-605*	FRONT TOP RAIL, outer	1	
13	450-610*	FRONT SIDE RAIL, inner, LH	1	

Ill. No	Part Number	Description	Qty. Req.	Details
	450-615*	FRONT SIDE RAIL, inner, RH	1	
14	450-620*	FRONT SIDE RAIL, outer, LH	1	
	450-625*	FRONT SIDE RAIL, outer, RH	1	
15	450-630*	PANEL ASSEMBLY, above rear axle	1	
16	450-635*	REAR PROPSHAFT COVER	1	
17	450-640*	INNER DASHBOARD PANEL	1	
18	450-645*	SIDE OF SIDE SCREEN BOX, LH	1	
	450-650*	SIDE OF SIDE SCREEN BOX, RH	1	
19	450-655*	REAR ANGLED CORNER Piece, LH	1	
	450-660*	REAR ANGLED CORNER Piece, RH	1	
<i>*Note: All items marked * are included in the TC Timber Set.</i>				
20	450-665	RAIL, rear top finisher	1	
21	450-670	RAIL, rear corner finisher, LH	1	
	450-675	RAIL, rear corner finisher, RH	1	
22	323-858	SCREW SET, hood tacking strips	1	
23	450-680	DOOR FRAME ASSEMBLY, LH	1	
	450-685	DOOR FRAME ASSEMBLY, RH	1	
24	450-690	SIDESCREEEN BOX DOOR	1	
25	450-695	FLOORBOARD, LH	1	
	450-700	FLOORBOARD, RH	1	
26	323-818	SCREW & WASHER SET	1	floorboards, complete alternatives
27	233-635	DASHBOARD FASCIA, Finished Veneer	1	
	456-890	DASHBOARD FASCIA, plain	1	
28	450-705	SIDESCREEEN BOX TOP SHELF	1	
29	450-710	FINISHER PIECE, side screen box, LH	1	
	450-715	FINISHER PIECE, side screen box, RH	1	
30	453-230	TOP RAIL (WOOD), over windscreen	1	
32	407-800	COVER, master cylinder inspection	1	



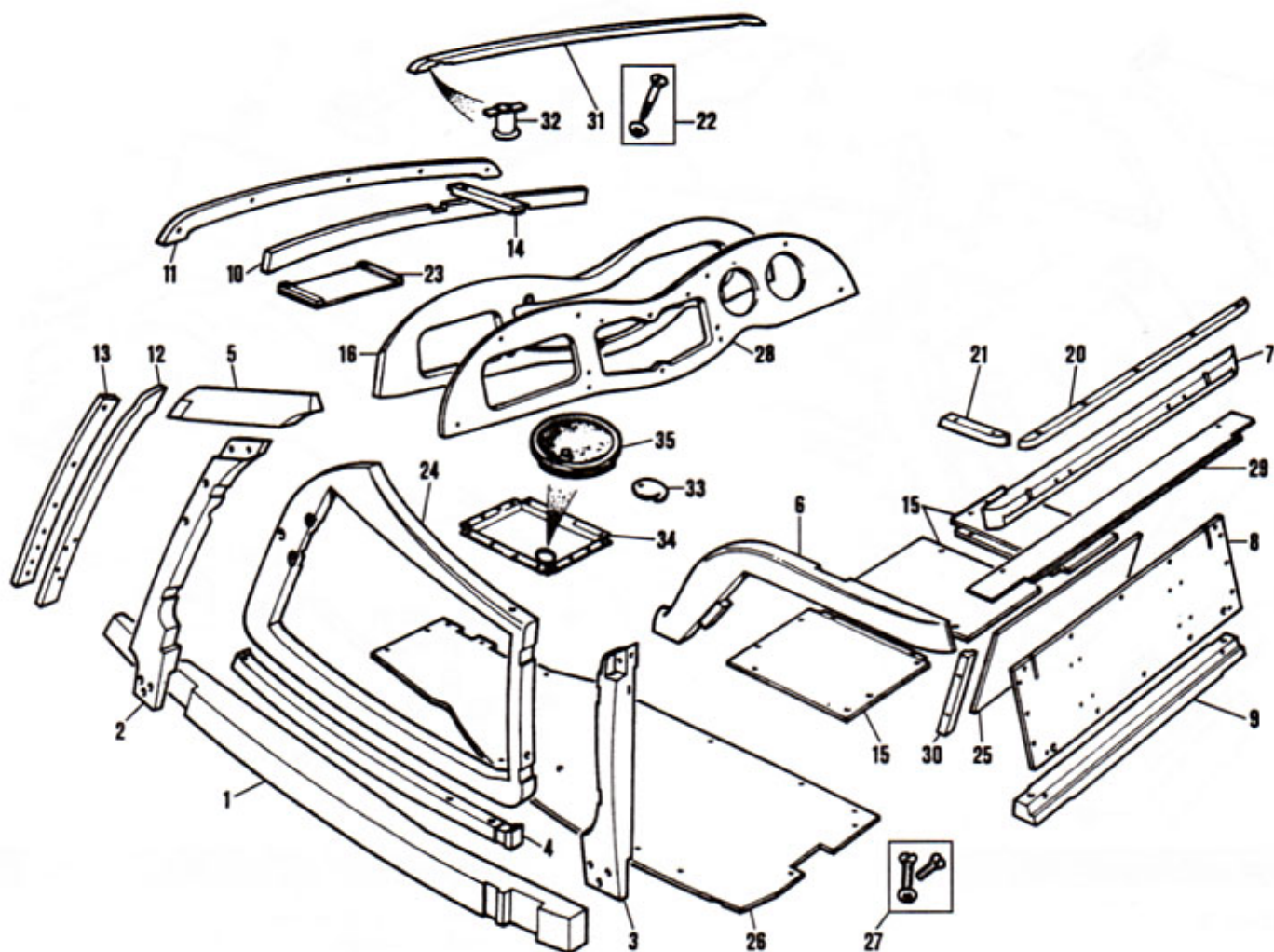
Ill. No	Part Number	Description	Qty. Req.	Details
---------	-------------	-------------	-----------	---------

Body Panels, TD

1	456-550	FRONT WING, RH	1	Girling shock absorbers
	456-530	FRONT WING, RH	1	Armstrong shock absorbers
	456-540	FRONT WING, LH	1	Girling shock absorbers
	456-560	FRONT WING, LH	1	Armstrong shock absorbers
NI	MM236-220	WING COVERS (Accessory)	1pr	
<i>These very practical black padded vinyl wing covers are specially tailored to fit your particular model. Protect that expensive finish from wayward spanners and greasy hands. Both left and right covers are supplied in the set.</i>				
3	456-630	REAR WING, RH	1	rect. tail lamp to (c)21302
	456-650	REAR WING, RH	1	round tail lamp from (c)21303
	456-620	REAR WING, LH	1	rect. tail lamp to (c)21302
	456-640	REAR WING, LH	1	round tail lamp from (c)21303
5	457-110	SPLASH APRON, front	1	
6	457-070	SPLASH APRON, rear	1	
7	407-420	BRACKET, headlamp, RH	1	
	407-410	BRACKET, headlamp, LH	1	
8	328-185	STUD, headlamp bracket	4	
9	321-288	BOLT & NUT SET, headlamp bracket	2	1 of each
10	453-280	ROD, brass (side panel attaching)	2	
11	406-855	BONNET LATCH, RH	2	cadmium plated
	406-860	BONNET LATCH, LH	2	
12	406-800	BRACKET, bonnet latch, on wing	4	
13	406-828	BUFFER PLATE SET, bonnet	1	4 buffers & plates
	280-205	BUFFER RUBBER, bonnet, each	4	
14	457-040	RUNNING BOARD, RH	1	
	457-030	RUNNING BOARD, LH	1	
15	457-330	FRONT QUARTER PANEL, RH	1	
	457-320	FRONT QUARTER PANEL, LH	1	
16	451-398	THRESHOLD PLATE SET	1pr	
<i>(2 plates etched with 'The MG Car Company Ltd')</i>				
17	457-080	REAR QUARTER PANEL, RH	1	
	457-090	REAR QUARTER PANEL, LH	1	
18	450-720	BRACKET, rear side screen, RH	1	
	450-725	BRACKET, rear side screen, LH	1	
19	451-850	SCUTTLE TOP	1	
20	456-820	WHEEL ARCH, RH	1	
	456-830	WHEEL ARCH, LH	1	
21	457-130	REAR PANEL	1	between rear quarter panels
22	321-758	BOLT & NUT SET	1	wing & running boards to body
23	456-785	FUEL TANK	1	
24	451-648	END PANEL SET, fuel tank	1	2 chrome end panels

Ill. No	Part Number	Description	Qty. Req.	Details
---------	-------------	-------------	-----------	---------

25	451-610	STRAP, fuel tank, primed	2	
	450-730	STRAP, fuel tank, chromed	2	optional
26	451-720	BACKING PLATE, front number plate	1	
27	406-490	BRACKET, (for above plate)	2	
28	406-500	'S' BRACKET, rear number plate	1	LHD, on spare wheel carrier
	406-520	'S' BRACKET, rear number plate	1	RHD, on spare wheel carrier
29	406-510	BRACKET, number plate support	1	
30	406-600	'T' BRACKET	1	number plate lamp support
31	451-275	BACKING PLATE	1	rear number plate
32	406-400	PLUG, tyre rack, tube end	1	
33	446-035	DOOR ASSEMBLY, RH	1	Panelled
	446-040	DOOR ASSEMBLY, LH	1	
	456-855	DOOR SKIN, RH	1	
	456-845	DOOR SKIN, LH	1	
34	401-970	DOOR HINGE, RH top	1	brass
	401-960	DOOR HINGE, LH top	1	
	401-990	DOOR HINGE, RH bottom	1	
	401-980	DOOR HINGE, LH bottom	1	
35	401-420	MOUNTING PLATE, door striker	2	
36	401-430	MOUNTING PLATE, door lock	2	
37	405-500	DOOR CHECK	2	
38	323-878	SCREW SET	1	for hinges, locks, strikers
39	407-810	COVER, transmission dipstick	1	
40	407-425	WING NUT, dipstick cover	1	
41	451-680	LID, tool box	1	
42	401-695	CLIP, tool box lid	2	
43	401-685	LATCH, tool box	2	
44	411-020	BRACKET, gearbox mounting	1	
Body Tub Steelwork				
45	450-735	FRAME, Body/Chassis, LH	1	
	450-740	FRAME, Body/Chassis, RH	1	
46	450-745	REAR BODY TIE BAR	1	
47	450-750	BRACKET, scuttle side, LH	1	
	450-755	BRACKET, scuttle side, RH	1	
48	450-765	BRACKET, scuttle top, RH	1	
	450-760	BRACKET, scuttle top, LH	1	
50	456-850	SIDESCREEN COMPARTMENT	1	
51	449-040	STRENGTHENER, door, LH	1	
	449-045	STRENGTHENER, door, RH	1	
52	450-780	DOOR TWIST STRIP	2	
53	450-785	BULKHEAD FOOT PLATE	1	RHD
54	456-860	FOOT REST, on passenger floor	1	



iii. Part Number No	Description	Qty. Req.	Details
---------------------	-------------	-----------	---------

Body Tub

450-790	BODY TUB, RHD	1	panelled with doors and scuttle top
450-795	BODY TUB, RHD	1	
450-800	BODY TUB, RHD	1	

Note: All The body tubs listed here are for RHD models. LHD body tubs are also available, please enquire.

Timber Components

450-805	TIMBER SET (includes all timbers to build body frame)	1	
1	450-810* 450-815*	1 1	BOTTOM MAIN RAIL, LH BOTTOM MAIN RAIL, RH
2	450-820* 450-825*	1 1	FRONT BODY PILLAR, LH FRONT BODY PILLAR, RH
3	450-830* 450-835*	1 1	REAR BODY PILLAR, LH REAR BODY PILLAR, RH
4	450-840* 450-845*	1 1	UNDER DOOR RAIL, LH UNDER DOOR RAIL, RH
5	450-850* 450-855*	1 1	FRONT BODY PILLAR 'X Piece' FRONT BODY PILLAR 'X Piece'
6	450-860* 450-865*	1 1	REAR WHEEL ARCH, LH REAR WHEEL ARCH, RH
7	450-870*	1	REAR TOP RAIL
8	450-875*	1	REAR CENTRE PANEL
9	450-880*	1	REAR BOTTOM RAIL
10	450-885*	1	FRONT TOP RAIL, inner
11	450-890*	1	FRONT TOP RAIL, outer
12	450-895* 450-900*	1 1	FRONT SIDE RAIL, inner, LH FRONT SIDE RAIL, inner, RH

iii. Part Number No	Description	Qty. Req.	Details
---------------------	-------------	-----------	---------

13	450-905* 450-910*	1 1	FRONT SIDE RAIL, outer, LH FRONT SIDE RAIL, outer, RH
14	450-915*	1	CROSSPIECE, dash to bulkhead
15	450-920*	1	PANEL ASSEMBLY
16	233-580* 450-925	1 1	INNER DASHBOARD PANEL, RHD INNER DASHBOARD PANEL, LHD
<i>*Note: All items marked * are included in the TD Timber Set.</i>			
20	450-930	1	RAIL, rear top finisher
21	450-935 450-940	1 1	RAIL, rear corner finisher, LH RAIL, rear corner finisher, RH
22	323-858	1	SCREW SET, top finisher rails
23	407-710	1	BATTERY TRAY
24	450-945 450-950	1 1	DOOR FRAME ASSEMBLY, LH DOOR FRAME ASSEMBLY, RH
25	450-955	1	SIDESCREEEN BOX DOOR
26	450-960 450-965 450-970 450-975	1 1 1 1	FLOORBOARD, LH FLOORBOARD, RH FLOORBOARD, LH (no footwell) FLOORBOARD, RH
27	323-828	1	SCREW & WASHER SET
28	233-530 233-570 233-645 233-510	1 1 1 1	DASHBOARD, finished walnut veneer DASHBOARD, plywood DASHBOARD, finished walnut veneer DASHBOARD, plywood
29	450-985	1	SIDESCREEEN BOX TOP SHELF
30	450-990 450-995	1 1	FINISHER PIECE, side screen box, LH FINISHER PIECE, side screen box, RH
31	453-240	1	TOP RAIL (WOOD), over windscreen
32	AFH2635	2	SOCKET, (Brass) top rail
33	407-800	1	COVER, master cylinder inspection
34	456-870	1	FOOTWELL, (Metal)
35	ACA5300	1	PLUG, master cylinder inspection

13 screws & washers

RHD

LHD

floorboards, complete

RHD

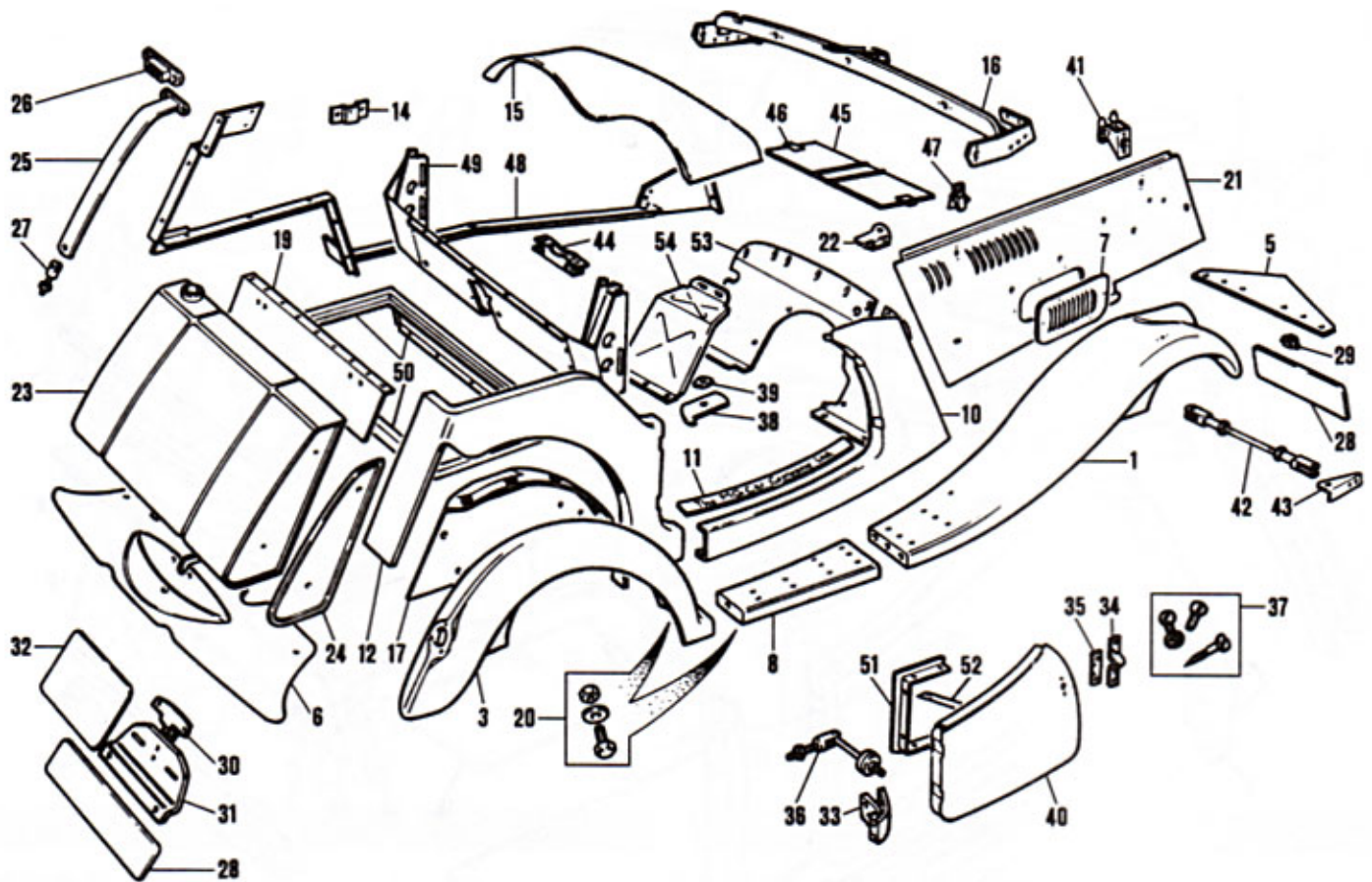
LHD

LHD

LHD to (c)4236; all RHD

LHD from (c)4237

LHD



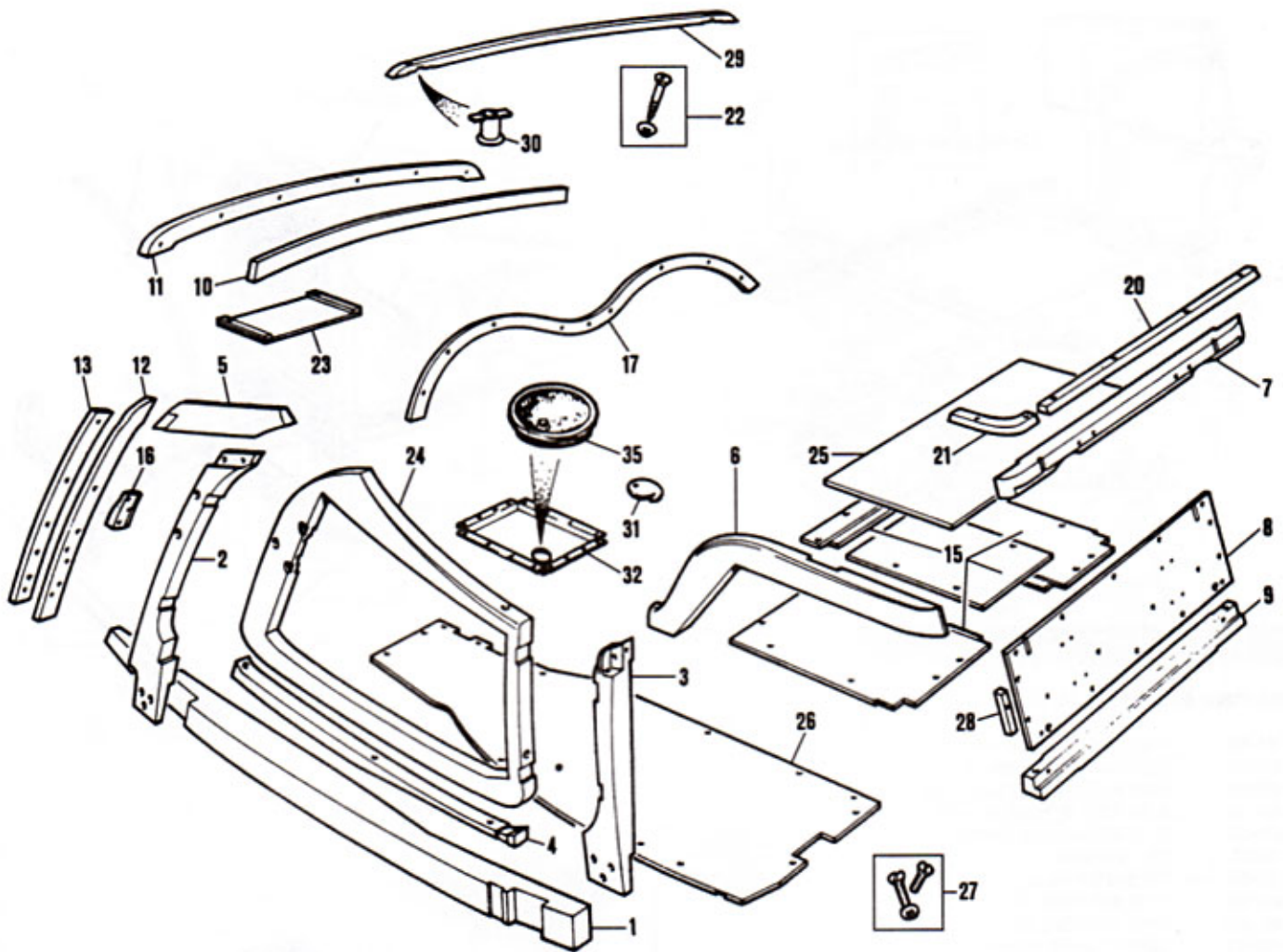
Ill. No	Part Number	Description	Qty. Req.	Details
---------	-------------	-------------	-----------	---------

Body Panels, TF

1	456-490	FRONT WING, RH	1	
	456-480	FRONT WING, LH	1	
NI	MM236-230	WING COVERS (Accessory)	1pr	
<i>These very practical black padded vinyl wing covers are specially tailored to fit your particular model. Protect that expensive finish from wayward spanners and greasy hands. Both left and right covers are supplied in the set.</i>				
3	456-670	REAR WING, RH	1	
	456-660	REAR WING, LH	1	
5	451-090	SPLASH APRON, front	1	
6	456-520	SPLASH APRON, rear	1	
7	451-740	LOUVRE PANEL, bonnet side	2	
8	457-060	RUNNING BOARD, RH	1	
	457-050	RUNNING BOARD, LH	1	
10	456-570	FRONT QUARTER PANEL, RH	1	
	456-580	FRONT QUARTER PANEL, LH	1	
11	451-398	THRESHOLD PLATE SET	1pr	
<i>(2 plates etched with 'The MG Car Company Ltd')</i>				
12	456-680	REAR QUARTER PANEL, RH	1	
	456-690	REAR QUARTER PANEL, LH	1	
14	450-720	BRACKET, rear side screen, RH	1	
	450-725	BRACKET, rear side screen, LH	1	
15	451-860	SCUTTLE TOP	1	
16	456-865	SCUTTLE FRAME	1	
17	457-220	WHEEL ARCH, RH	1	
	457-230	WHEEL ARCH, LH	1	
19	457-140	REAR PANEL	1	<i>between rear quarter panels</i>
20	321-768	BOLT & NUT SET	1	<i>wing & running boards to body</i>
21	457-915	SIDE PANEL, LH bonnet	1	
	457-925	SIDE PANEL, RH bonnet	1	
22	406-935	CORNER BRACKET, LH	1	<i>bonnet to bulkhead</i>
	406-945	CORNER BRACKET, RH	1	
23	456-795	FUEL TANK	1	
24	451-658	END PANEL SET, fuel tank	1	<i>2 chrome end panels</i>
25	451-620	STRAP, fuel tank, primed	2	
	449-000	STRAP, fuel tank, chromed	2	<i>optional</i>
26	407-110	TOP BRACKET	2	<i>fuel tank strap, chromed</i>
27	449-005	BOTTOM BRACKET, fuel tank strap	2	

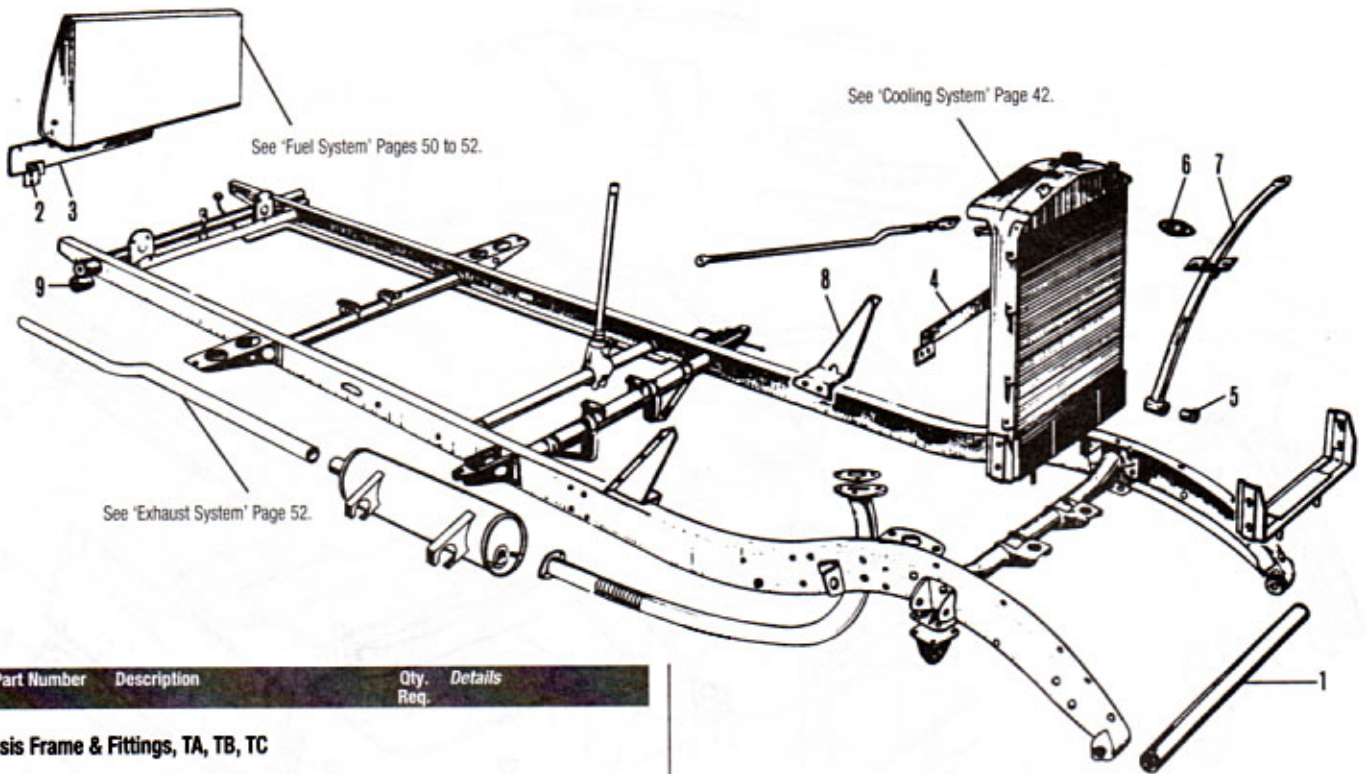
Ill. No	Part Number	Description	Qty. Req.	Details
---------	-------------	-------------	-----------	---------

28	ALK3268	BLANK NUMBER PLATE, front & rear	2	<i>UK Models</i>
29	406-490	BRACKET, for above plate	2	
30	AAA2179	'T' BRACKET, number lamp support	1	
31	AHH5151	BRACKET, number plate assembly	1	
32	AHH5211	BACKING PLATE, number plate, rear	1	<i>USA models</i>
33	401-970	DOOR HINGE, RH top	1	brass
	401-960	DOOR HINGE, LH top	1	
	401-990	DOOR HINGE, RH bottom	1	
	401-980	DOOR HINGE, LH bottom	1	
34	401-420	MOUNTING PLATE, door striker	2	
35	401-430	MOUNTING PLATE, door lock	2	
36	405-500	DOOR CHECK	2	
37	323-878	SCREW SET	1	<i>for hinges, locks, strikers</i>
38	407-810	COVER, transmission dipstick	1	
39	407-425	WING NUT, dipstick cover	1	
40	446-045	DOOR ASSEMBLY, RH	1	Panelled
	446-050	DOOR ASSEMBLY, LH	1	
	449-010	DOOR SKIN, LH	1	
	449-015	DOOR SKIN, RH	1	
41	457-895	BONNET LATCH, RH	2	
	457-905	BONNET LATCH, LH	2	
42	451-825	TIE BAR, front wing	1	
43	451-885	BRACKET, tie bar, RH	1	
	451-880	BRACKET, tie bar, LH	1	
44	411-020	BRACKET, gearbox mounting	1	
45	451-680	LID, tool box	1	
46	401-695	CLIP, tool box lid	2	
47	401-685	LATCH, tool box	2	
Body Tub Steelwork				
48	449-020	FRAME, Body/Chassis, LH	1	
	449-025	FRAME, Body/Chassis, RH	1	
49	449-030	REAR BODY TIE BAR	1	
50	449-035	SIDE SCREEN COMPARTMENT	1	<i>4 piece</i>
51	449-045	STRENGTHENER, door, RH	1	
	449-040	STRENGTHENER, door, LH	1	
52	450-780	DOOR TWIST STRIP	2	
53	450-785	BULKHEAD FOOT PLATE	1	<i>RHD</i>
54	456-860	FOOT REST, on passenger floor	1	



Ill. No	Part Number	Description	Qty. Req.	Details
Body Tub				
	459-520	BODY TUB, RHD	1	} panelled with doors & scuttle top
	449-050	BODY TUB, RHD	1	
	449-055	BODY TUB, RHD	1	
Timber Components				
	449-565	TIMBER SET (includes all timbers to build body frame)	1	
1	449-060*	BOTTOM MAIN RAIL, LH	1	
	449-065*	BOTTOM MAIN RAIL, RH	1	
2	449-070*	FRONT BODY PILLAR, LH	1	
	449-075*	FRONT BODY PILLAR, RH	1	
3	449-080*	REAR BODY PILLAR, LH	1	
	449-085*	REAR BODY PILLAR, RH	1	
4	449-090*	UNDER DOOR RAIL, LH	1	
	449-095*	UNDER DOOR RAIL, RH	1	
5	449-100*	FRONT BODY PILLAR 'X Piece'	1	LH
	449-105*	FRONT BODY PILLAR 'X Piece'	1	RH
6	449-110*	REAR WHEEL ARCH, LH	1	
	449-115*	REAR WHEEL ARCH, RH	1	
7	449-120*	REAR TOP RAIL	1	
8	449-125*	REAR CENTRE PANEL	1	
9	449-130*	REAR BOTTOM RAIL	1	
10	449-135*	FRONT TOP RAIL, inner	1	
11	449-140*	FRONT TOP RAIL, outer	1	
12	449-145*	FRONT SIDE RAIL, inner, LH	1	
	449-150*	FRONT SIDE RAIL, inner, RH	1	
13	449-155*	FRONT SIDE RAIL, outer, LH	1	
	449-160*	FRONT SIDE RAIL, outer, RH	1	
15	449-165*	PANEL ASSEMBLY	1	above rear axle

Ill. No	Part Number	Description	Qty. Req.	Details
16	449-170*	WEDGE, chassis frame to body	1	LH
	449-175*	WEDGE, chassis frame to body	1	RH
Note: All items marked are included in the TF Timber Set.				
17	449-180	RAIL, dashboard finisher	1	
20	449-185	RAIL, rear top finisher	1	
21	449-190	RAIL, rear corner finisher	1	LH
	449-195	RAIL, rear corner finisher	1	RH
22	323-858	SCREW SET, top finisher rail	1	13 screws & washers
23	407-710	BATTERY TRAY	1	
24	449-200	DOOR FRAME ASSEMBLY, LH	1	
	449-205	DOOR FRAME ASSEMBLY, RH	1	
25	449-210	SIDESCREEN BOX DOOR	1	
26	449-215	FLOORBOARD, LH	1	} RHD
	449-220	FLOORBOARD, RH	1	
	449-225	FLOORBOARD, LH (no foot well)	1	} LHD
	449-230	FLOORBOARD, RH	1	
27	323-828	SCREW & WASHER SET	1	floorboards, complete
28	449-235	WEDGE, rear body panel trim	2	
29	453-240	TOP RAIL (WOOD), over windscreen	1	
30	406-920	SOCKET, (Brass) top rail	2	
31	407-800	COVER, master cylinder inspection	1	RHD
32	456-870	FOOTWELL, (Metal)	1	LHD
35	ACA5300	PLUG, master cylinder inspection	1	



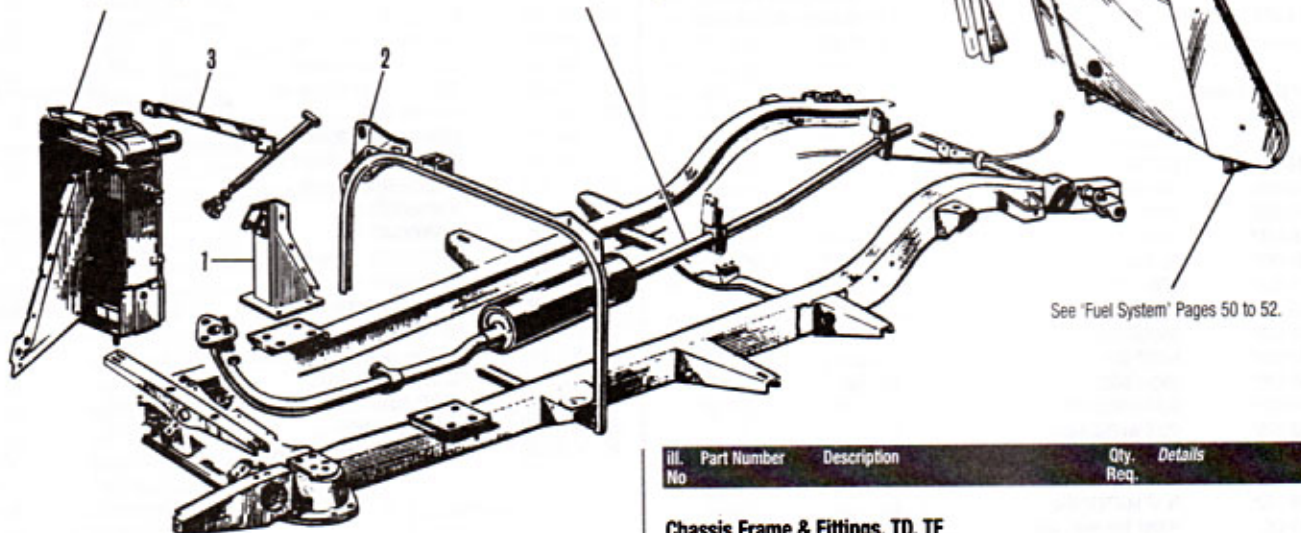
iii. No	Part Number	Description	Qty. Req.	Details
---------	-------------	-------------	-----------	---------

Chassis Frame & Fittings, TA, TB, TC

1	451-190	FRONT CHASSIS CROSS MEMBER	1	
2	406-330	MOUNTING BRACKET, number plate	2	
3	450-045	BLANK PLATE, round rear lamps	1	TA to (c)1789
	451-725	BLANK PLATE, 'D' rear lamps	1	TA from (c)1790, TB, TC
4	451-100	TIE BRACKET, headlamp mounting	1	
5	188347	BUSH, wing brace	4	
6	280-090	PAD, wing to brace	2	
7	451-830	FRONT WING BRACE, LH	1	
	451-835	FRONT WING BRACE, RH	1	
8	452-700	SUPPORT BRACKET, bulkhead LH	1	
	452-710	SUPPORT BRACKET, bulkhead RH	1	
9	PW072	TRUNNION BUSH REPAIR, RH	1	
	PW072A	TRUNNION BUSH REPAIR, LH (also known as sliding bush)	1	TA, TB

See 'Cooling System' Page 42

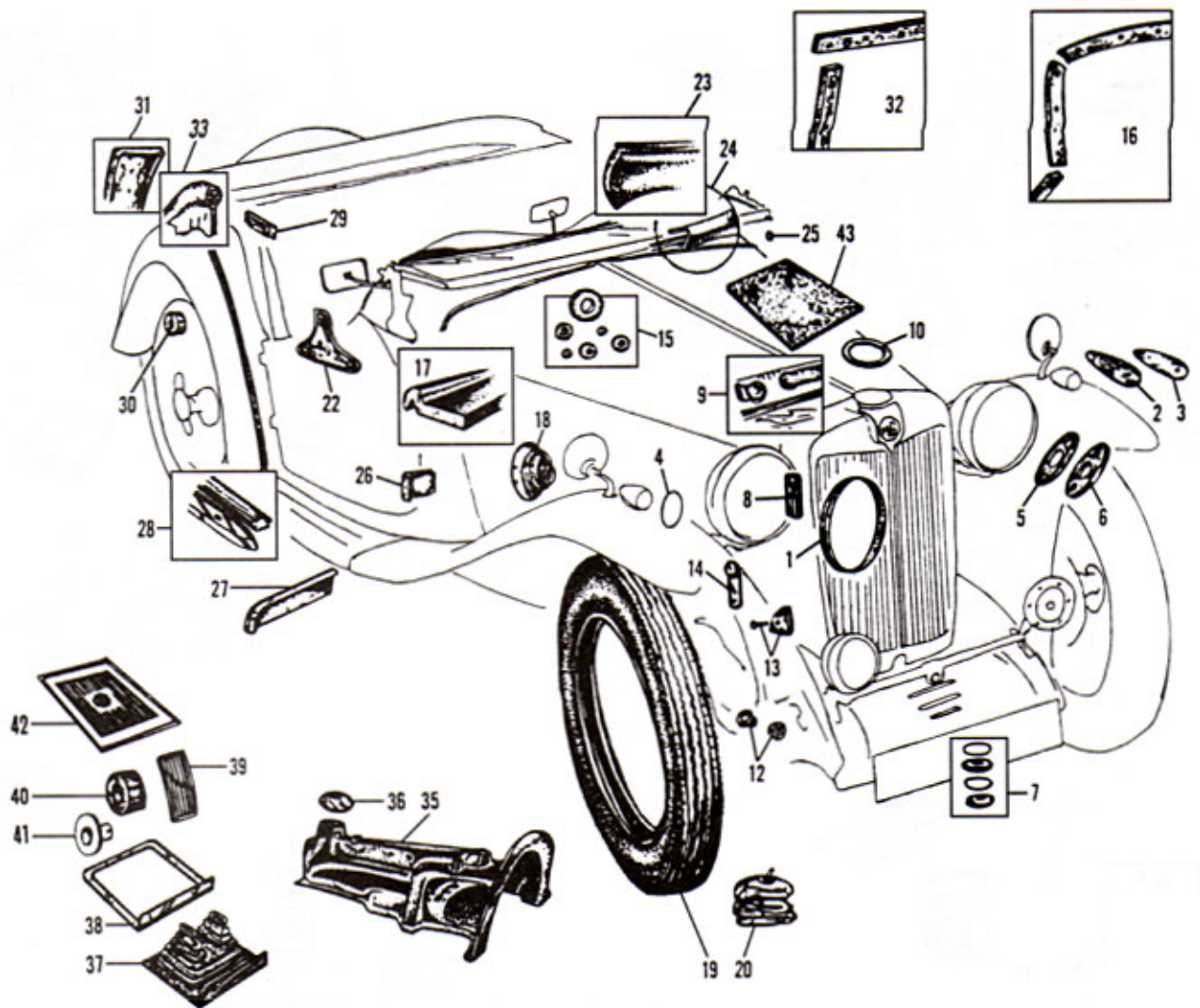
See 'Exhaust System' Page 52.



iii. No	Part Number	Description	Qty. Req.	Details
---------	-------------	-------------	-----------	---------

Chassis Frame & Fittings, TD, TF

1	449-570	BULKHEAD FOOT, RH	1	
	449-575	BULKHEAD FOOT, LH	1	
2	449-580	BRACKET, roll bar to body, RH	1	
	449-585	BRACKET, roll bar to body, LH	1	
3	451-100	TIE BRACKET, headlamp mounting	1	TD



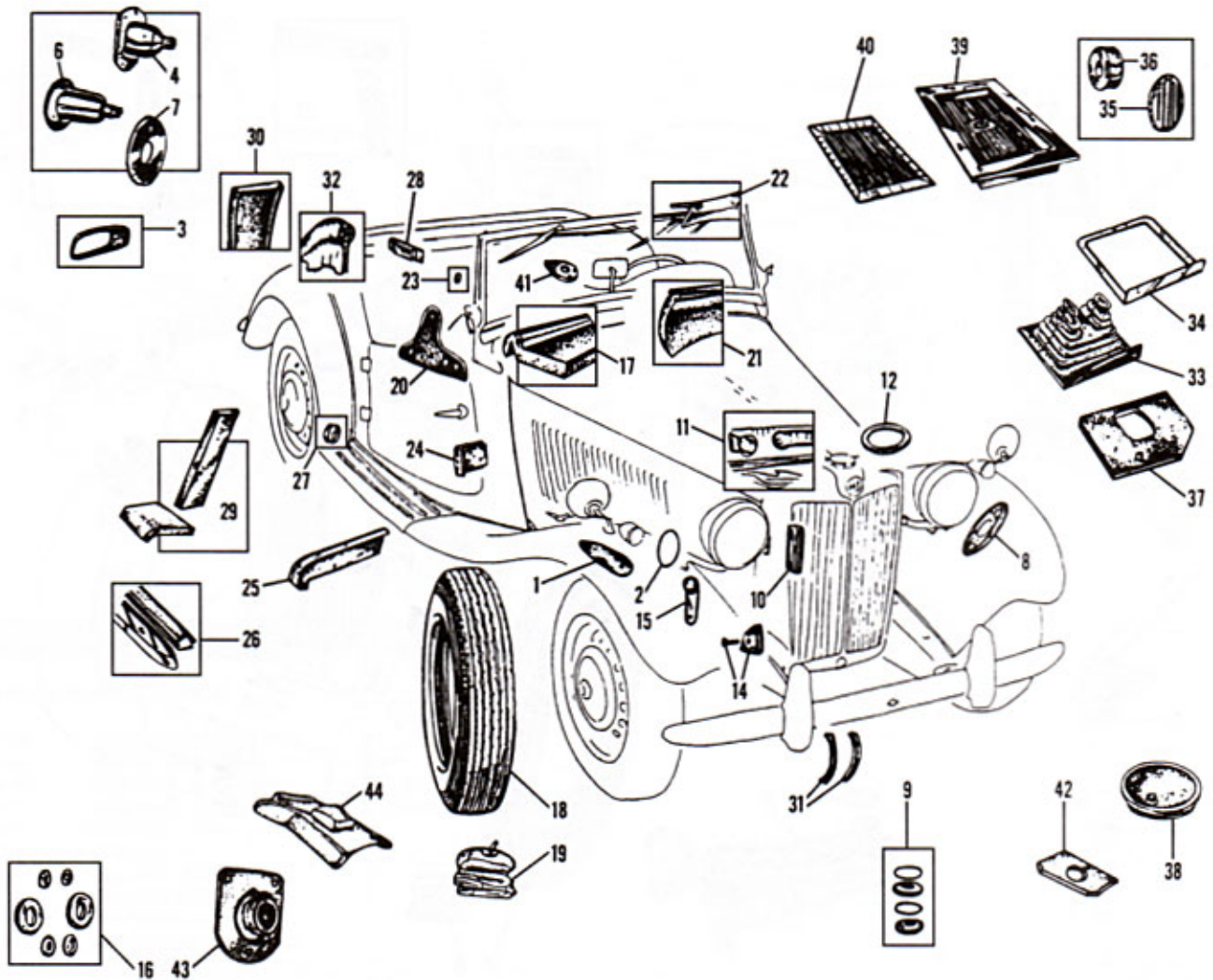
Ill. No	Part Number	Description	Qty. Req.	Details
---------	-------------	-------------	-----------	---------

Rubber Fittings, TA, TB, TC

NI	PWT1791	TOOL TRAY	1	TA & TB
1	281-098	SEAL SET, headlamp	1	(2 seals)
2	281-078	PAD SET, wing to brace	1	(2 pads)
3	281-068	PAD SET, parking lamp	1	(2 pads)
4	281-088	RING SET, parking lamp lens	1	(2 rings)
5	281-048	PAD SET, headlamp bracket to wing	1	(2 pads)
6	281-058	PAD SET, wing to brace	1	(2 pads)
7	281-648	MOUNTING SET, radiator (8 pieces)	1	includes steel rings
8	281-018	FERRULE SET, radiator shell	1	(2 ferrules)
9	408-255	STRIP, radiator shell lacing	1	canvas
10	280-020	SEAL, radiator cap	1	
12	1B8347	BUSH, wing brace	4	
13	281-118	CORNER SET, bonnet (8 pieces)	1	includes rivets
14	406-828	BUFFER PLATE SET, bonnet	1	(4 buffers & plates)
	280-205	BUFFER, bonnet, each	4	
15	281-128	GROMMET SET, bulkhead	1	(6 grommets)
16	280-918	COWL SET, bulkhead to body	1	5 pieces
17	280-250	STRIP, cowl to bonnet	1	
18	280-380	EXCLUDER	1	bulkhead to steering column
19	454-700	TYRE (4.50 x 19") Dunlop	5	original tyres
20	454-410	INNER TUBE (4.50 x 19")	5	
22	281-178	PAD SET, windscreen bracket to cowl	1	(2 pads)
23	280-290	STRIP, windscreen frame to cowl	1	under windscreen
24	280-300	STRIP, windscreen glass to frame	1	
25	280-270	GROMMET, windscreen wiper wire	1	in cowl
26	281-198	BUFFER SET, door to body,	1	(4 buffers)
27	281-218	PAD SET, wing to running board	1	(2 pads)

Ill. No	Part Number	Description	Qty. Req.	Details
---------	-------------	-------------	-----------	---------

28	281-008	STRIP SET, running board, (6 pieces aluminium & rubber)	1	TA, TB
	281-238	STRIP SET, running board, (4 pieces aluminium & rubber)	1	TC
29	281-208	BUFFER SET, hood bow	1	(2 buffers)
30	281-308	BUSH SET, fuel tank to wing	1	(2 bushes)
31	281-298	STRIP SET, fuel tank strap,	1	(2 strips)
32	280-928	TANK SET, tank to body & chassis	1	5 pieces
33	249-120	BLACK PIPING SET (9 yards)	1	exterior set
	249-220	RED PIPING SET (9 yards)	1	
	249-320	GREEN PIPING SET (9 yards)	1	
	249-370	CREAM PIPING SET (9 yards)	1	
	249-270	BEIGE PIPING SET (9 yards)	1	
35	281-288	GEARBOX COVER	1	
36	280-470	SNUG, gearshift lever	1	
37	280-420	FUME EXCLUDER	1	brake & clutch pedal
38	406-700	RETAINING PLATE, fume excluder	1	steel
39	280-440	PAD, brake & clutch pedal	2	
40	408-680	ROLLER, accelerator pedal	1	hard plastic
41	408-685	BUSH, for roller	1	steel
42	280-995	HEEL MAT, on driver's floor	1	as original
43	280-700	PAD, under battery	1	TC



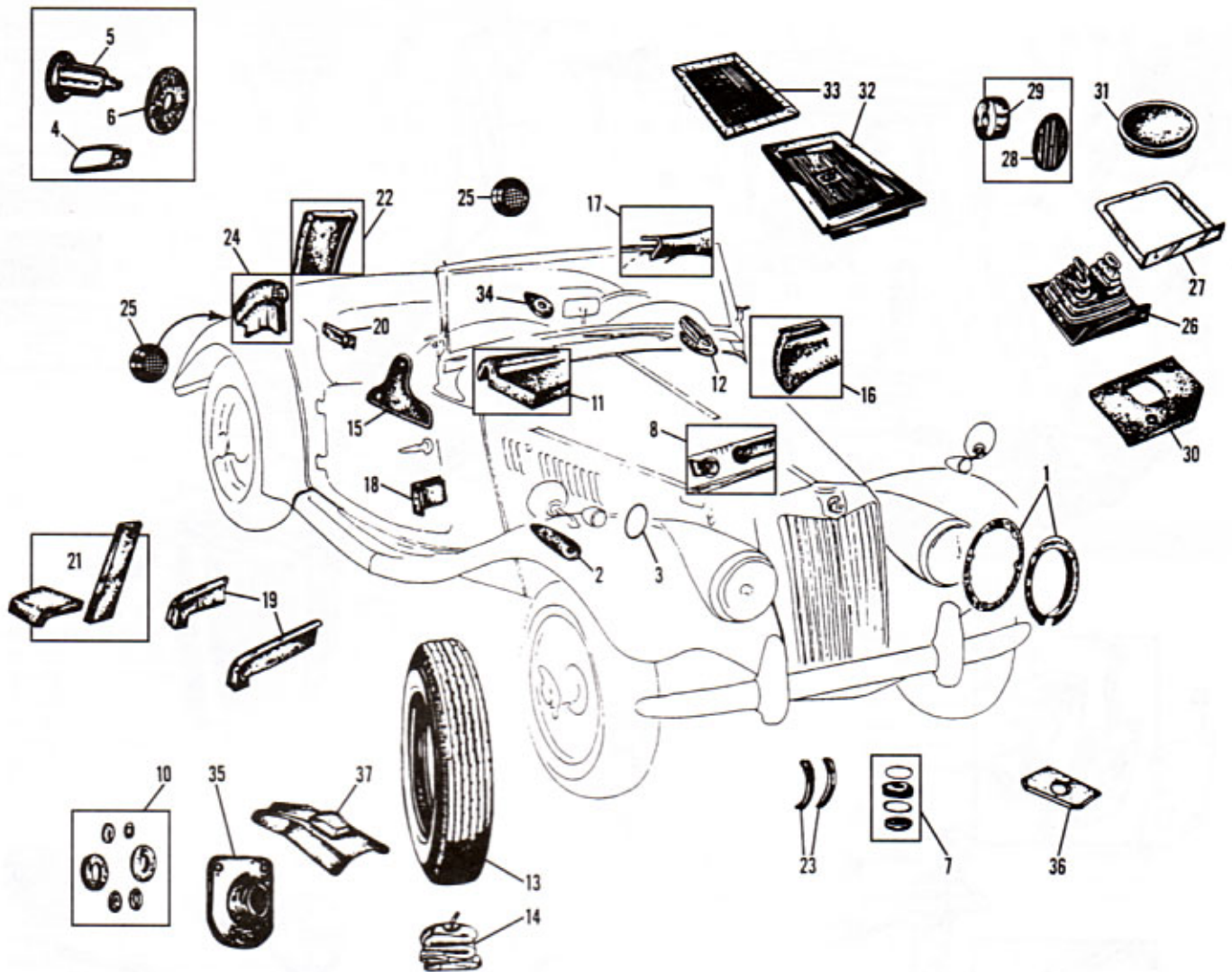
Ill. No	Part Number	Description	Qty. Req.	Details
---------	-------------	-------------	-----------	---------

Rubber Fittings, TD

1	281-068	PAD SET, parking lamp	1	(2 pads)
2	281-088	RING SET, parking lamp	1	(2 rings)
3	57H5368	SEAL, number plate lamp	1	
4	280-510	BODY, rectangular tail lamp	2	to (c)21302
6	37H5481	BODY, round tail lamp	2	from (c)21303
7	281-338	PAD SET, round lamp to wing	1	
8	281-048	PAD SET, headlamp bracket to wing	1	(2 pads)
9	281-648	MOUNTING SET, radiator (8 pieces)	1	includes steel rings
10	281-018	FERRULE SET, radiator shell	1	(2 ferrules)
11	408-255	STRIP, radiator shell lacing	1	
12	280-020	SEAL, radiator cap	1	
14	281-118	CORNER SET, bonnet (8 pieces)	1	includes rivets
15	406-828	BUFFER PLATE SET, bonnet	1	(4 buffers & plates)
	280-205	BUFFER, bonnet	4	each
16	281-138	GROMMET SET, bulkhead	1	(6 grommets)
	600395	GROMMET, temperature gauge	1	
17	280-250	STRIP, cowl to bonnet	1	
18	454-710	TYRE (5.50 x 15") Dunlop	5	similar to original tyres
19	454-420	INNER TUBE (5.50 x 15") Dunlop	5	
20	281-188	PAD SET, windscreen bracket to cowl	1	(2 pads)
21	280-290	STRIP, windscreen frame to cowl	1	under windscreen
22	280-300	STRIP, windscreen glass to frame	1	
23	280-270	GROMMET, windscreen wiper wire	1	in cowl
24	281-198	BUFFER SET, door to body	1	4 buffers
25	281-218	PAD SET, wing to running board	1	2 pads
26	281-248	STRIP SET, running board	1	6 pieces, aluminium & rubber
27	281-258	BUSH SET, wing to running board	1	(2 bushes)
28	281-208	BUFFER SET, hood bow	1	(2 buffers)

Ill. No	Part Number	Description	Qty. Req.	Details
---------	-------------	-------------	-----------	---------

29	281-798	PAD SET, fuel tank to chassis	1	(4 pads)
30	281-298	STRIP SET, fuel tank strap	1	(2 strips)
31	37H9871M	PACKING SET, over-rider to bumper	1	(8 strips)
32	249-120	BLACK PIPING SET (9 yards)	1	exterior set
	249-220	RED PIPING SET (9 yards)	1	
	249-320	GREEN PIPING SET (9 yards)	1	
	249-370	CREAM PIPING SET (9 yards)	1	
	249-270	BEIGE PIPING SET (9 yards)	1	
33	280-420	FUME EXCLUDER	1	brake & clutch pedal
34	406-700	RETAINING PLATE, pedal excluder	1	steel
35	ACA5359	PAD, brake & clutch pedal	2	
36	408-690	ROLLER, accelerator pedal	1	hard plastic
37	280-430	PAD, floorboard to pedal box	1	
38	ACA5300	PLUG, master cylinder inspection	1	LHD from (c)4237, all RHD
39	280-400	FOOT-WELL, driver's floor	1	LHD to (c)4236, all RHD
40	CRM2001X	HEEL MAT, driver's floor	1	
41	280-260	PAD, interior mirror	1	
42	282-670	PAD, under floor & around roll bar	2	
43	454-040	FUME EXCLUDER	1	steering column, leather
44	282-680	RUBBER SNUG	1	gearshift remote control



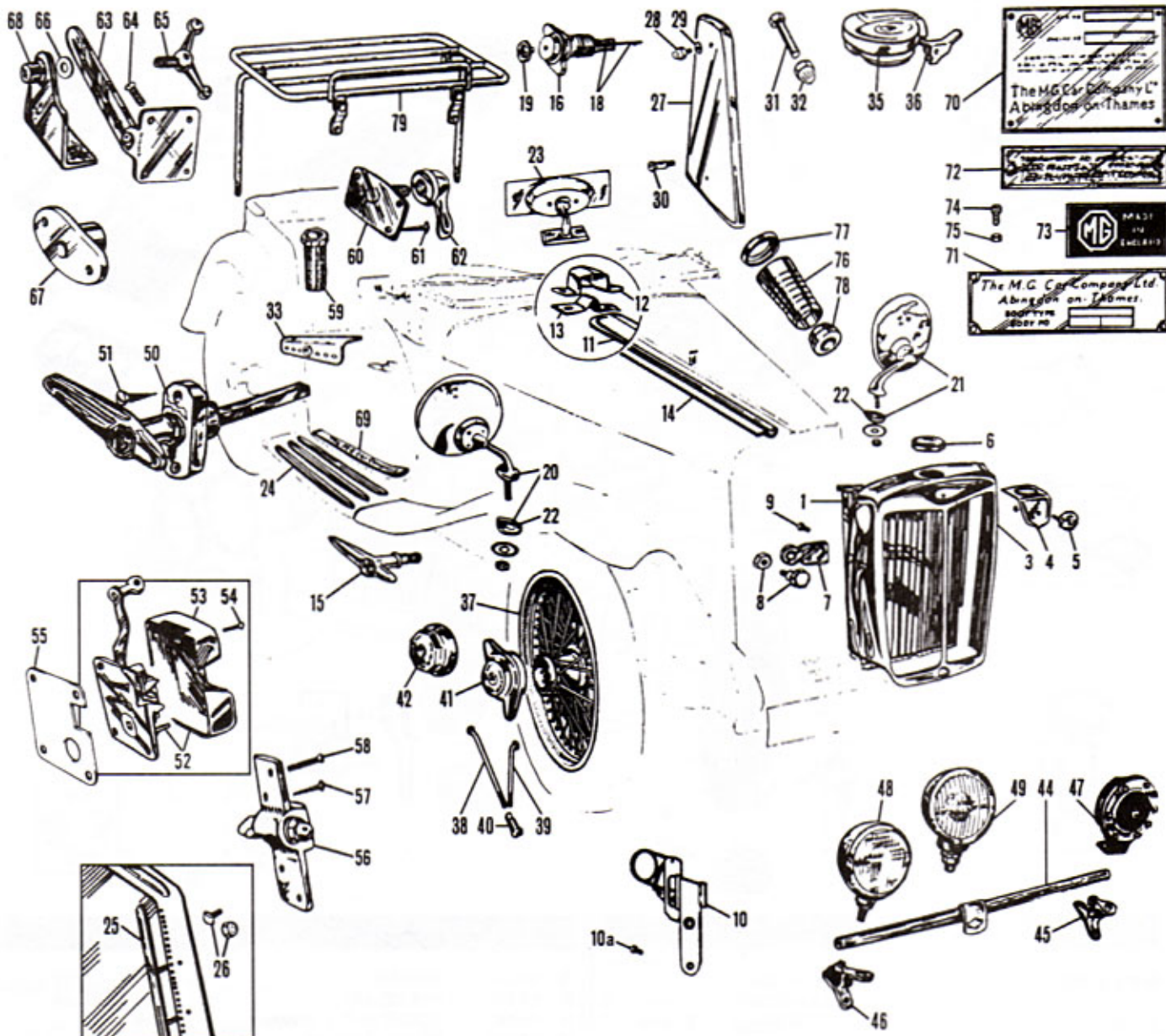
Ill. No	Part Number	Description	Qty. Req.	Details
---------	-------------	-------------	-----------	---------

Rubber Fittings, TF

1	281-108	SEAL SET, headlamp	1	(4 seals)
2	281-068	PAD SET, parking lamp	1	(2 pads)
3	281-088	RING SET, parking lamp	1	(2 rings)
4	57H5368	SEAL, number plate lamp	1	
5	37H5481	BODY, tail lamp	2	
6	281-338	PAD SET, tail lamp to wing	1	(2 pads)
7	281-648	MOUNTING SET, radiator, (8 pieces)	1	includes steel rings
8	280-010	STRIP, radiator shell lacing	1	
10	281-138	GROMMET SET, bulkhead	1	(6 grommets)
11	280-250	STRIP, cowl to bonnet	1	
12	281-168	GROMMET SET, wiper shaft	1	(2 grommets)
	600395	GROMMET, temperature gauge	1	
13	454-710	TYRE (5.50 X 15") Dunlop	5	similar to
14	454-420	INNER TUBE (5.50 X 15") Dunlop	5	original tyre
15	281-188	PAD SET, windscreen bracket to cowl	1	(2 pads)
16	280-290	STRIP, windscreen frame to cowl	1	under windscreen
17	280-300	STRIP, windscreen glass to frame	1	
18	281-198	BUFFER SET, door to body,	1	(4 buffers)
19	281-218	PAD SET, wing to running board	2	(2 pads)
20	281-208	BUFFER SET, rear side-screen to hood	1	(2 buffers)
21	281-798	PAD SET, fuel tank to chassis	1	(4 pads)
22	281-298	STRIP SET, fuel tank strap	1	(2 strips)
23	37H9871M	PACKING SET, over-rider to bumper	1	(8 strips)
24	249-120	BLACK PIPING SET (9 yards)	1	
	249-220	RED PIPING SET (9 yards)	1	
	249-320	GREEN PIPING SET (9 yards)	1	exterior set
	249-370	CREAM PIPING SET (9 yards)	1	
	249-270	BEIGE PIPING SET (9 yards)	1	
	249-280	TAN PIPING SET (9 yards)	1	

Ill. No	Part Number	Description	Qty. Req.	Details
---------	-------------	-------------	-----------	---------

25	144-600	REFLECTOR	2	
26	280-420	FUME EXCLUDER	1	brake & clutch pedal
27	406-700	RETAINING PLATE, pedal excluder	1	steel
28	ACA5359	PAD, brake & clutch pedal	2	
29	408-690	ROLLER, accelerator pedal	1	hard plastic
30	280-430	PAD, floorboard to pedal box	1	
31	ACA5300	PLUG, master cylinder inspection	1	LHD only
32	280-400	FOOT-WELL, driver's floorboard	1	
33	CRM2001X	HEEL MAT, driver's floorboard	1	RHD only
34	280-260	PAD, interior mirror	1	
35	454-040	FUME EXCLUDER	1	steering column, leather
36	282-670	PAD, under floor & around roll bar	2	
37	282-680	RUBBER SNUG	1	gearshift remote control
	AAA260C	PAD SET, fuel pump	1	(2 pads)



iii. Part Number No	Description	Qty. Req.	Details
---------------------	-------------	-----------	---------

Exterior Body Fittings & Chrome Trim, TA, TB, TC

See also Accessories

Radiator Shell & Grille

1	454-170	SLATS, radiator shell, primed	1	
3	454-757	RADIATOR SHELL	1	<i>not currently available</i>
4	202-050	FALSE NOSE, radiator shell	1	
5	E103	MEDALLION, radiator shell	1	<i>brown & cream</i>
6	202-010	RADIATOR CAP	1	
7	202-030	BRACKET, headlamp	2	<i>through radiator shell</i>
8	321-288	BOLT & NUT SET, outer bracket	2	<i>(1 of each), chrome</i>
9	AJD6155Z	BOLT, inner bracket, not chrome	4	

Note: Additional radiator parts are listed on page 42.

Bonnet Items & Miscellaneous Body Fittings

10	406-855	BRACKET, RH, bonnet catch	2	} <i>cadmium plated</i>
	406-860	BRACKET, LH, bonnet catch	2	
10a	158-018	SCREW (bonnet catch)	a/r	
11	453-050	STRIP, centre bonnet	1	<i>chrome-plated brass</i>
12	407-200	OUTER SUPPORT, bonnet strip	2	<i>chrome</i>
13	407-300	INNER SUPPORT, bonnet strip, steel	2	
14	451-675	HINGE PLATE, (welded to bonnet)	2	

iii. Part Number No	Description	Qty. Req.	Details
---------------------	-------------	-----------	---------

15	406-850	BONNET HANDLE, RH	2	
	406-840	BONNET HANDLE, LH	2	
16	200-250	WHEEL SPINNER, spare wheel	1	<i>does not include key & spring</i>
18	200-255	KEY & SPRING, with collar	1	
19	AAA523	MEDALLION, spare wheel spinner	1	
20	WM1904	MIRROR, convex lens, RH wing	1	} <i>reproduction of Lucas period accessory</i>
21	WM1905	MIRROR, convex lens, LH wing	1	
22	280-140	PAD, wing mirror, rubber	2	
23	633-570	DASH MIRROR, rear view	1	<i>period accessory</i>
24	281-008	STRIP SET, running board, (12 pieces)	1	<i>TA, TB</i>
	281-238	STRIP SET, running board, (8 pieces)	1	<i>TC</i>
25	252-098	STRIP SET, side screen, (inc. hardware)	1	<i>TA, TB</i>
	252-108	STRIP SET, side screen, (inc. hardware)	1	<i>TC</i>
26	252-008	BOLT & NUT SET, side screen strip	1	<i>contains 63 of each</i>
27	451-638	END PANEL SET, fuel tank	1	<i>2 end panels</i>
28	320-830	ACORN BOLT, fuel tank end panel	4	
29	011-176	WASHER, end panel acorn bolt	4	
30	320-840	BOLT, rear wing to fuel tank	2	<i>not chrome</i>
31	320-400	BOLT, fuel tank strap mounting	2	<i>not chrome</i>
32	311-160	ACORN NUT, fuel tank strap bolt	2	
33	229-655	DOOR TOP ARMREST SET	1	<i>chrome, accessory</i>
35	407-090	FUEL CAP, original	1	
36	407-105	RELEASE LEVER, fuel cap	1	

Ill. No	Part Number	Description	Qty. Req.	Details
---------	-------------	-------------	-----------	---------

Wire Wheels

37	454-607	WIRE WHEEL, painted	5	TA to (c)1769 outer laced 19"
	454-600	WIRE WHEEL, painted	5	TA from (c)1770, TB
	454-795	WIRE WHEEL, chrome	5	TC, centre laced 19"
38	200-010	SPOKE (standard), long-outer	80	TA from (c)1770, TB,
39	200-020	SPOKE (standard), short-inner	160	TC, centre laced 19"
40	7H1709	NIPPLE (standard)	a/r	
41	AHH7317A	WHEEL SPINNER, RH, 2-eared	4	with MG motif
	AHH7318A	WHEEL SPINNER, LH, 2-eared	4	
42	AHH7315A	WHEEL SPINNER, RH, octagonal	4	
	AHH7316A	WHEEL SPINNER, LH, octagonal	4	

Badge Bar

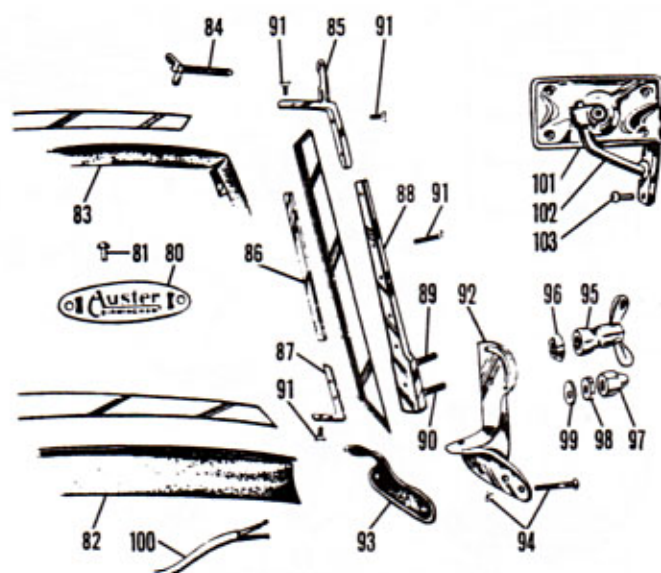
44	451-070	BADGE BAR	1	
45	406-310	BRACKET, badge bar (LH)	1	aluminium
46	406-320	BRACKET, badge bar (RH)	1	aluminium
47	165-900	HORN	1	exact reproduction of the TC original
48	169-020	FOG LAMP (exact reproduction of Lucas FT27)	1	TA, TB, TC to (c)4738
49	169-000	FOG LAMP (exact reproduction of Lucas SFT462)	1	TC from (c)4739

Handles/Locks, ID Plates & Miscellaneous Fittings

50	401-490	EXTERIOR HANDLE, RH	1	includes cover and screws
	401-480	EXTERIOR HANDLE, LH	1	
51	323-540	SCREW, handle securing	4	
52	401-200	DOOR LOCK, RH	1	
	401-100	DOOR LOCK, LH	1	
53	401-250	COVER, RH door lock	1	
	401-150	COVER, LH door lock	1	
54	323-718	SCREW SET, door lock cover	1	4 screws
55	401-170	SHIM, door lock, 1/16"	a/r	
56	401-308	STRIKER PLATE & WEDGE	2	includes screws
57	323-540	WOOD SCREW, striker securing	4	
58	323-390	MACHINE SCREW, striker securing	4	
59	405-400	SOCKET, side screen (in door top)	2	
60	408-615	PLATE, side screen mounting	4	TA, TB
	405-200	PLATE, side screen mounting	4	TC (illustrated)
61	323-540	WOOD SCREW, side screen plate	12	TA, TB, TC
	323-390	MACHINE SCREW, side screen plate	4	TC
62	MB19331	NUT, side screen plate	4	
63	406-110	BRACKET, seat back	2	
64	323-090	SCREW, seat back bracket	8	
65	406-100	WING BOLT, seat adjusting	2	
66	324-610	FIBRE WASHER	2	
67	408-625	BRACKET, RH wheel arch	1	TA, TB
	408-635	BRACKET, LH wheel arch	1	
68	406-130	BRACKET, RH wheel arch	1	TC
	406-120	BRACKET, LH wheel arch	1	
69	451-398	THRESHOLD PLATE SET (2 plates etched with 'The MG Car Company Ltd')	1pr	
70	408-405	CHASSIS ID PLATE	1	TA
	408-415	CHASSIS ID PLATE	1	TB
	408-700	CHASSIS ID PLATE	1	TC
71	408-730	BODY ID PLATE	1	
72	408-780	PATENT NUMBER PLATE	1	
73	408-760	'MADE IN ENGLAND' PLATE	1	
74	FAS3	SCREW, brass (ID plates)	a/r	
75	FAS4	NUT, ID plate screw	a/r	
76	1D6163	SPRING COVER, steering column	1	TA late, TB, TC
77	108611	CAP, spring cover	1	spline fitting type
78	262-290	WASHER, spring cover (not chrome)	1	wheel only

Boot Rack (Factory Style)

79	244-400	BOOT RACK	1	chrome
	244-410	BOOT RACK	1	stainless steel



Ill. No	Part Number	Description	Qty. Req.	Details
---------	-------------	-------------	-----------	---------

Windscreen Components

80	CRCP329	'AUSTER' NAME PLATE	1	
81	FAS1	RIVET, name plate securing	2	
82	280-290	STRIP, frame to cowl, rubber	1	
83	280-300	STRIP, glass to frame, rubber	1	
84	AAA5166	WING BOLT, hood to windscreen	2	
85	408-600	TOP CORNER BRACKET, LH	1	
	408-610	TOP CORNER BRACKET, RH	1	
86	408-820	THREADED STRIP, side windscreen	2	
87	408-620	BRACKET, bottom corner	2	
88	408-235	SIDE SUPPORT, LH	1	
	408-245	SIDE SUPPORT, RH	1	
89	408-285	STUD, upper	2	windscreen side support
90	408-295	STUD, lower	2	
91	323-908	SCREW SET, windscreen frame	1	28 screws
92	408-655	COWL BRACKET, LH	1	
	408-665	COWL BRACKET, RH	1	
93	281-178	PAD SET, bracket to cowl	1	2 rubber pads
94	323-778	SCREW SET, bracket to cowl	1	6 screws & nuts
95	225-400	WING NUT	2	
96	408-660	CONE SPACER, wing nut	2	
97	311-170	DOME NUT, side support	2	
98	311-180	LOCK NUT, dome nut	2	
99	408-650	'D' WASHER, lock nut	2	
100	162-020	WIPER 'WIRE', (wiper motor, 8')	1	
101	407-350	MIRROR, windscreen, RH	1	with bracket
	407-347	MIRROR HEAD	1	TC type without medallion
	407-357	GLASS LENS	1	
102	407-400	BRACKET, for mirror, RH	1	
	407-500*	BRACKET, for mirror, LH	1	optional
103	323-090	SCREW	2	

*Note: See page 89 for alternative LH mirror bracket (that does not require drilling).

Brooklands Type Aero-screens

This period style aero-screen incorporates a polished cast aluminium frame, chrome plated brass fittings and laminated safety glass. While similar to factory aero-screens they do not fit directly onto the T Series scuttle, mounting brackets are therefore supplied. (Sold individually)



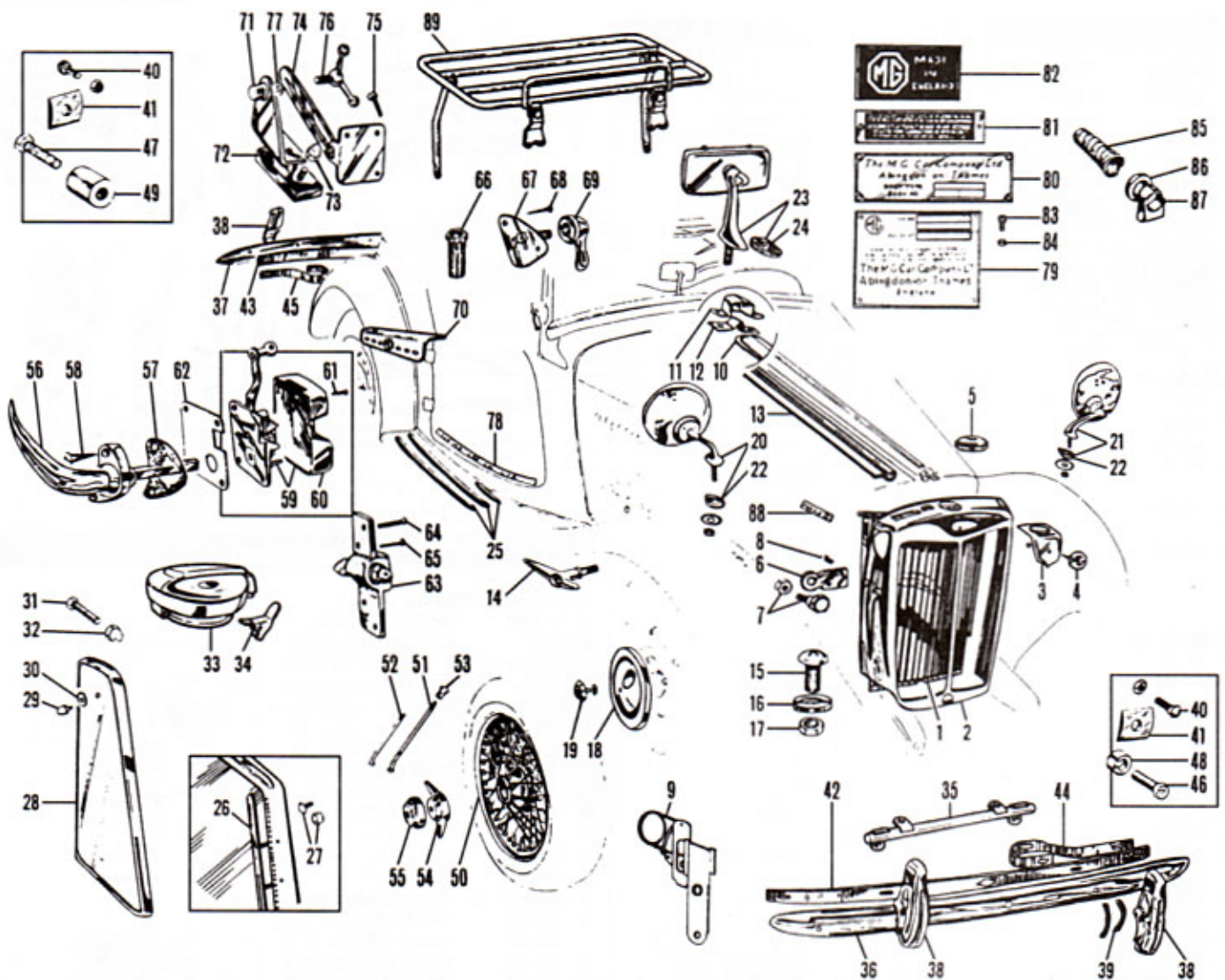
700896	AERO-SCREEN KIT, reproduction	2	per side
AD606063	SCREW, foot to scuttle	8	

Number Plates (Pressed)

These items are identical to those used on cars in the 1940's, '50s and '60s. We supply these pressed plates with up to 7 letters or numbers of your choice.

Available to special order only, please call your local Moss branch for full details.

NI	NP1	Pressed Number Plates	a/r
----	-----	-----------------------	-----



Ill. No	Part Number	Description	Qty. Req.	Details
---------	-------------	-------------	-----------	---------

Exterior Body Fittings & Chrome Trim, TD

See also Accessories

Radiator Shell & Grille

1	454-170	SLATS, radiator shell, primed	1	
2	454-757	RADIATOR SHELL	1	not currently available
3	202-050	FALSE NOSE, radiator shell	1	
4	E103	MEDALLION, radiator shell	1	brown & cream
5	202-010	RADIATOR CAP	1	
6	202-030	BRACKET, headlamp	2	through radiator shell
7	321-288	BOLT & NUT SET, outer bracket	2	(1 of each), chrome
8	AJD6155Z	BOLT, inner bracket, not chrome	4	

*Note: Additional radiator parts are listed on page 42.

Bonnet Items & Miscellaneous Body Fittings

9	406-855	BRACKET, RH, bonnet catch	2	
	406-860	BRACKET, LH, bonnet catch	2	
10	453-050	STRIP, centre bonnet	1	chrome-plated brass
11	407-200	OUTER SUPPORT, bonnet strip	2	chrome
12	407-300	INNER SUPPORT, bonnet strip	2	steel
13	451-675	HINGE PLATE, (welded to bonnet)	2	
14	406-850	BONNET HANDLE, RH	2	
	406-840	BONNET HANDLE, LH	2	
15	323-160	SCREW, splash apron	6	
16	324-455	WASHER, splash apron screw	6	
17	AJD8105Z	NUT, splash apron screw	a/r	
18	ACH8304	HUB CAP, includes medallion	5	original type
	200-235	HUB CAP (with hole)	5	less medallion
19	200-277	MEDALLION	5	

Ill. No	Part Number	Description	Qty. Req.	Details
---------	-------------	-------------	-----------	---------

20	WM1904	MIRROR, convex lens, RH wing	1	reproduction of
21	WM1905	MIRROR, convex lens, LH wing	1	Lucas
22	280-140	PAD, wing mirror, rubber	2	period accessory
23	165-090	DASH MIRROR, rear view	1	
24	280-260	PAD, dash mirror, rubber	1	
25	281-248	STRIP SET, running board	1	6 pieces aluminium & rubber
26	252-208	STRIP SET, side screen	1	2 bow hoods to (c)20695 RHD (c)20373 LHD, with 2 free standing metal bows
	252-308	STRIP SET, side screen	1	3 bow hoods from (c)20696 RHD (c)20374 LHD, with 3 free-standing metal bows
27	252-018	BOLT & NUT SET, side screen strip	1	58 of each
28	451-648	END PANEL SET, fuel tank	1	2 end panels
29	320-830	ACORN BOLT, fuel tank end panel	4	
30	011-176	WASHER, end panel acorn bolt	4	
31	320-400	BOLT, fuel tank strap mounting	4	not chrome
32	311-160	ACORN NUT, fuel tank strap bolt	4	
33	407-090	FUEL CAP	1	TC type
34	407-105	RELEASE LEVER, fuel cap	1	
35	451-060	BADGE BAR	1	

Bumpers & Fittings

36	AAA4936	BUMPER FACE BAR, front	1	
37	AAA4941	BUMPER FACE BAR, rear	1	
38	27H9612	OVER-RIDER, front & rear	4	with bolts
39	37H9871M	PACKING SET, over-rider	1	8 pieces
40	554700K	BOLT, bumper, with nut	5	

Ill. No	Part Number	Description	Qty. Req.	Details
41	ACC5811	PACKING, bumper to back bar	9	
42	AAA4937	BACK BAR, front bumper	1	
43	453-060	BACK BAR, rear bumper	1	
44	454-020	BRACKET, front bumper	2	
45	454-030	BRACKET, rear bumper	2	
46	320-720	BOLT, front bracket to chassis	2	
47	320-730	BOLT, rear bracket to chassis	2	
48	400-100	SPACER, front bracket to chassis	2	
49	400-200	SPACER, rear bracket to chassis	2	

Wire Wheel Conversion Kit

The following wire wheel conversion kits are designed to convert your disc wheeled TD to wire wheels. Each kit includes four splined hubs, four brake drums, one spare wheel adaptor with spinner (to convert spare wheel carrier to wire wheels), and all the studs, nuts, etc. for an easy installation. These kits will enhance the appearance of any TD and are identical to the original factory option for the TF. Note: Our conversion kits do not include wheel or spindlers. Parts required in addition to the conversion kit are listed here.

111-518	WIRE WHEEL CONVERSION KIT	1
---------	---------------------------	---

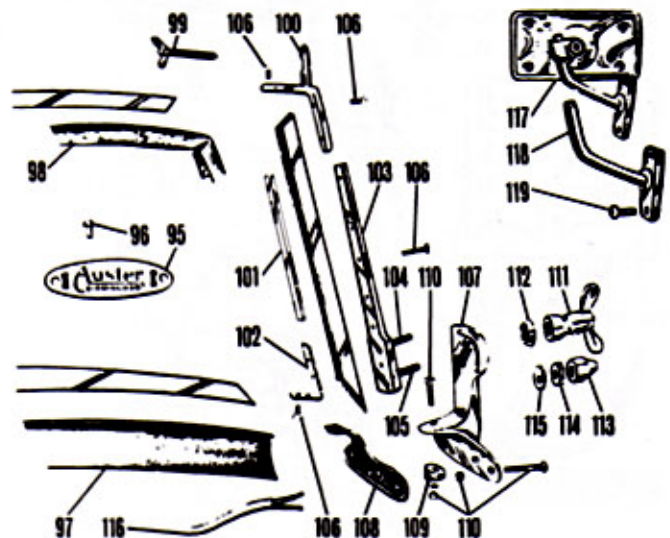
Wire Wheels

50	WWP450	WIRE WHEEL, painted	5	48 spoke
	WVC450	WIRE WHEEL, chrome	5	
	WWP452	WIRE WHEEL, painted	5	60 spoke
	WVC452	WIRE WHEEL, chrome	5	
51	7H1805	SPOKE (standard), long-outer	80	48 spoke
	7H1805CP	SPOKE (Chrome), long-outer	80	
	17H8619	SPOKE (standard), long-outer	100	60 spoke
	17H8619CP	SPOKE (Chrome), long-outer	100	
52	7H1806	SPOKE (standard), short-inner	160	48 spoke
	7H1806CP	SPOKE (Chrome), short-inner	160	
	17H8620	SPOKE (standard), short-inner	200	60 spoke
	17H8620CP	SPOKE (Chrome), short-inner	200	
53	7H1709	NIPPLE (standard)	a/r	
	7H1709CP	NIPPLE (Chrome)	a/r	
54	AHH7317A	WHEEL SPINNER, RH, 2-eared	4	
	AHH7318A	WHEEL SPINNER, LH, 2-eared	4	with MG motif
55	AHH7315A	WHEEL SPINNER, RH, octagonal	4	
	AHH7316A	WHEEL SPINNER, LH, octagonal	4	

Handles/Locks, ID Plates & Miscellaneous Fittings

56	401-657	EXTERIOR HANDLE	2	
57	401-648	GASKET SET, exterior handle	1	2 gaskets
58	323-530	SCREW, handle securing	4	
59	401-200	DOOR LOCK, RH	1	includes cover
	401-100	DOOR LOCK, LH	1	and screws
60	401-250	COVER, RH door lock	1	
	401-150	COVER, LH door lock	1	
61	323-718	SCREW SET, door lock cover	1	4 screws
62	401-170	SHIM, door lock (1/16")	a/r	
63	401-408	STRIKER PLATE & WEDGE	2	includes screws
64	AJD2246	MACHINE SCREW, striker securing	4	
65	323-530	WOOD SCREW, striker securing	4	
66	405-400	SOCKET, side screen, in door top	2	
67	AAA5154	PLATE, side screen mounting	4	
68	323-530	SCREW, side screen plate	12	
69	MB19331	NUT, side screen plate	4	
70	229-655	DOOR TOP ARMREST SET	1	(chrome), accessory
71	406-140	BRACKET, wheel arch	2	
72	406-150	PLATE, wheel arch bracket retaining	2	not chrome
73	406-160	DOME NUT, wheel arch bracket	4	
74	406-110	BRACKET, seat back	2	
75	AJD2246	SCREW, seat back bracket	8	
76	406-100	WING BOLT, seat adjusting	2	
77	324-610	FIBRE WASHER	2	
78	451-398	THRESHOLD PLATE SET	1pr	
		(2 plates etched with 'The MG Car Company Ltd')		
79	CRB195	CHASSIS ID PLATE	1	
80	408-730	BODY ID PLATE	1	
81	408-780	PATENT NUMBER PLATE	1	
82	408-760	'MADE IN ENGLAND' PLATE	1	
83	FAS3	SCREW, brass (ID plates)	10	
84	FAS4	NUT, ID plate screw	10	
85	AAA1651	SPRING COVER, steering column	1	
86	AAA1650	CAP, spring cover	1	
87	AAA192	CLAMP ASSEMBLY, column	1	includes nut, bolt & washer
88	408-200	MEDALLION 'MARK II'	2/3	TD MkII

Ill. No	Part Number	Description	Qty. Req.	Details
		Boot Rack (Factory Style)		
89	244-500	BOOT RACK	1	chrome
	244-510	BOOT RACK	1	stainless steel



Windscreen Components

95	CRCP329	'AUSTER' NAME PLATE	1	
96	FAS1	RIVET, name plate securing	2	
97	280-290	STRIP, frame to cowl, rubber	1	
98	280-300	STRIP, glass to frame, rubber	1	
99	AAA5166	WING BOLT, hood to windscreen	2	
100	408-600	TOP CORNER BRACKET, LH	1	
	408-610	TOP CORNER BRACKET, RH	1	
101	408-630	THREADED STRIP, side windscreen	2	
102	408-620	BRACKET, bottom corner	2	
103	408-230	SIDE SUPPORT, LH	1	
	408-240	SIDE SUPPORT, RH	1	
104	408-285	STUD, upper, windscreen side support	2	
105	408-295	STUD, lower, windscreen side support	2	
106	323-918	SCREW SET, windscreen frame	1	26 screws
107	408-315	COWL BRACKET, LH	1	
	408-325	COWL BRACKET, RH	1	
108	281-188	PAD SET, bracket to cowl, rubber	1	2 rubber pads
109	408-250	SPACER, bracket to cowl	2	
110	323-898	SCREW SET, bracket to cowl	1	8 screws & nuts
111	225-400	WING NUT	2	
112	408-660	CONE SPACER, wing nut	2	
113	311-170	DOME NUT, side support	2	
114	311-180	LOCK NUT, dome nut	2	
115	408-650	'D' WASHER, lock nut	2	
116	162-020	WIRE, wiper motor	1	
117	407-350	SIDE MIRROR, windscreen, RH	1	with bracket (TC style)
	407-347	MIRROR HEAD	1	TC type without medallion
	407-357	GLASS LENS	1	
118	407-400	BRACKET, for mirror, RH	1	
	407-500*	BRACKET, for mirror, LH	1	
119	AJD2246	SCREW	2	

*Note: Windscreen bracket will require drilling and tapping to mount above mirrors.

*Note: See page 89 for alternative LH mirror bracket (that does not require drilling).

Wind Wings & Period Sun Visors

Our classic polished clear Plexiglas wind wings eliminate side draughts to make motoring in your T Series MG more pleasurable. Sold in pairs complete with chrome mounting hardware. Installation is easy, no windscreen frame drilling required. The green tinted Plexiglas sun visors are easily fitted and require no drilling, they have chrome plated mountings similar to the wind wings and are a most useful accessory. Sold individually.

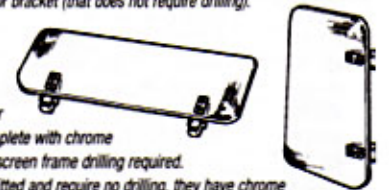
240-100	WIND WING SET, accessory	1pr
240-300	SUN VISOR, accessory	2

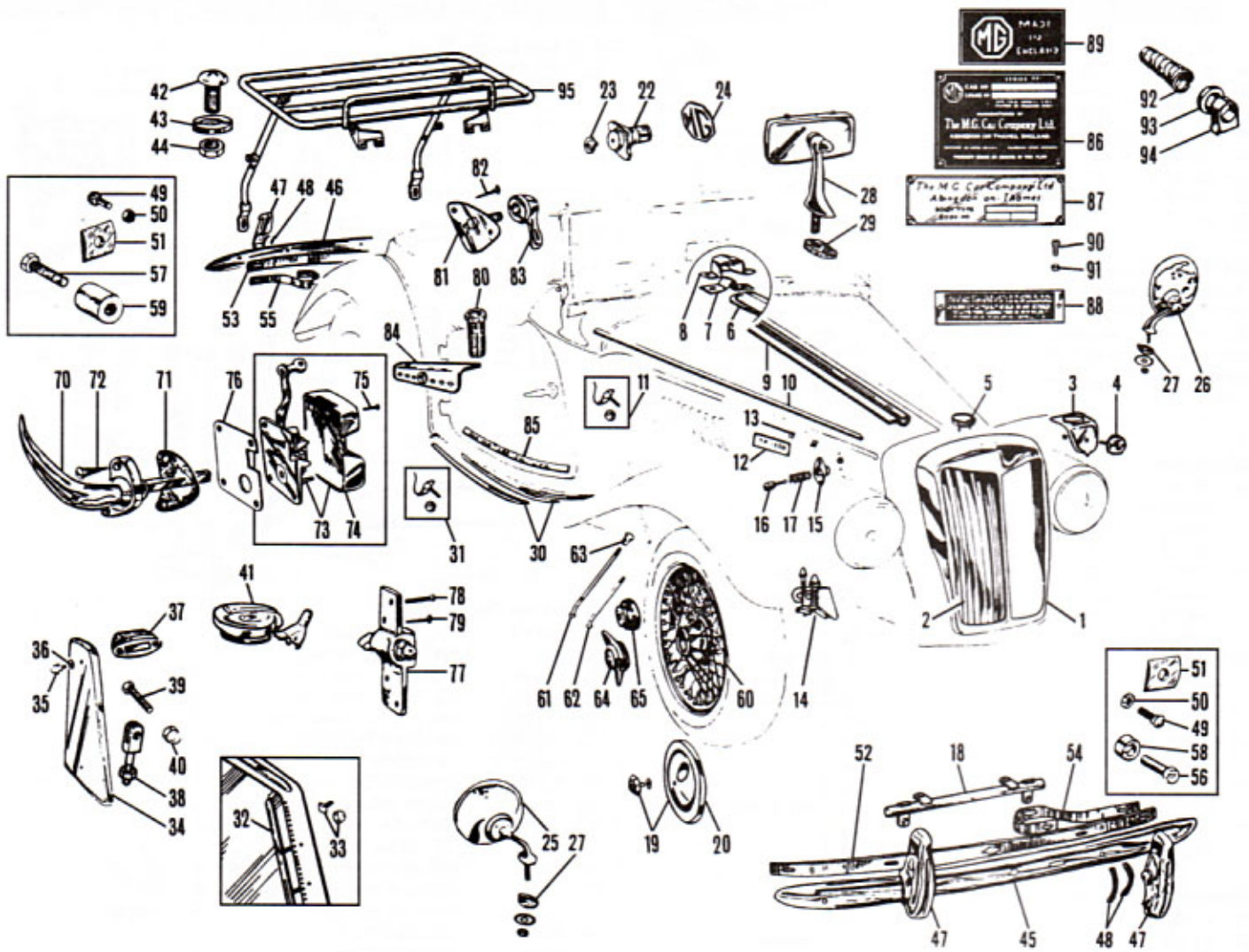
Number Plates (Pressed)

These items are identical to those used on cars in the 1940's, '50s and '60s. We supply these pressed plates with up to 7 letters or numbers of your choice.

Available to special order only, please call your local Moss branch for full details.

NI	NP1	Pressed Number Plates	a/r
----	-----	-----------------------	-----





Ill. No	Part Number	Description	Qty. Req.	Details
---------	-------------	-------------	-----------	---------

Body Fittings & Chrome Trim, TF

See also Accessories

Radiator Shell & Grille

1		RADIATOR SHELL	1	
2	454-148	GRILLE SLAT SET, radiator shell	1	(12 slats)
	451-030	GRILLE SLAT, radiator shell, each	12	
3		FALSE NOSE, radiator shell	1	
4	201-030	MEDALLION, radiator shell	1	black & white
5		RADIATOR CAP, dummy	1	

Bonnet Items & Miscellaneous Body Fittings

6	453-050	STRIP, centre bonnet	1	chrome-plated brass
7	407-200	OUTER SUPPORT, bonnet strip	2	chrome
8	407-300	INNER SUPPORT, bonnet strip	2	steel
9	451-675	HINGE PLATE, (welded to bonnet)	2	
10	453-070	STRIP, bonnet side	2	chrome-plated brass
11	AHH6360	STUD PLATE & NUT, bonnet strip	10	5 per strip
12	408-300	MEDALLION 'TF 1500'	2	as fitted
13	326-510	SPIRE CLIP, medallion attaching	4	
14	457-895	BONNET CATCH, RH	2	
	457-905	BONNET CATCH, LH	2	
15	406-950	HOUSING, bonnet button	4	
16	406-955	BUTTON, bonnet	4	
17	329-090	SPRING, for button	4	
18	451-060	BADGE BAR	1	
19	ACH8304	HUB CAP, includes medallion	5	original type
	200-235	HUB CAP (with hole)	5	less medallion
20	200-277	MEDALLION	5	

Ill. No	Part Number	Description	Qty. Req.	Details
---------	-------------	-------------	-----------	---------

22	200-260	WHEEL SPINNER, spare wheel	1	
23	201-030	MEDALLION, spare wheel spinner	1	
24	AAA5021	MEDALLION, spare wheel	1	steel wheels
25	WM1904	MIRROR, convex lens, RH wing	1	reproduction of
26	WM1905	MIRROR, convex lens, LH wing	1	Lucas
27	280-140	PAD, wing mirror, rubber	2	period accessory
28	165-090	DASH MIRROR, rear view	1	
29	280-260	PAD, dash mirror, rubber	1	
30	451-745	STRIP SET, running boards	1	chrome-plated brass, (set of 6)
31	AHH6360	STUD & NUT, running board strips	26	
32	252-408	STRIP SET, side screen, complete	1	stainless steel
33	252-018	BOLT & NUT SET, side screen strip	1	58 of each
34	451-658	END PANEL SET, fuel tank	1	2 end panels
35	320-830	ACORN BOLT, fuel tank end panel	4	
36	011-176	WASHER, end panel acorn bolt	4	
37	407-110	TOP BRACKET, fuel tank strap	2	chrome
38	449-005	BOTTOM BRACKET, fuel tank strap	2	
39	AJD6261Z	BOLT, fuel tank strap mounting	4	not chrome
40	311-160	ACORN NUT, petrol tank strap bolt	4	
41	407-090	FUEL CAP, original type	1	
	407-105	RELEASE LEVER, fuel cap	1	
42	323-160	SCREW, splash apron	2	
43	324-455	WASHER, splash apron screw	2	
44	AJD8105Z	NUT, splash apron screw	2	

Ill. No	Part Number	Description	Qty. Req.	Details
---------	-------------	-------------	-----------	---------

Bumpers & Fittings

45	AAA4936	BUMPER FACE BAR, front	1	
46	ADG5024	BUMPER FACE BAR, rear	1	
47	27H9612	OVER RIDER, front & rear	4	with bolts
48	37H9871M	PACKING SET, over rider	1	8 pieces
49	554700K	BOLT, bumper	6	
50	GHF202	NUT, bumper bolt	6	
51	ACC5811	PACKING, bumper to back bar	10	
52	AAA4937	BACK BAR, front bumper	1	
53	453-060	BACK BAR, rear bumper	1	
54	454-020	BRACKET, front bumper	2	
55	454-030	BRACKET, rear bumper	2	
56	320-720	BOLT, front bracket to chassis	2	
57	320-730	BOLT, rear bracket to chassis	2	
58	400-100	SPACER, front bracket to chassis	2	
59	400-200	SPACER, rear bracket to chassis	2	

Wire Wheels

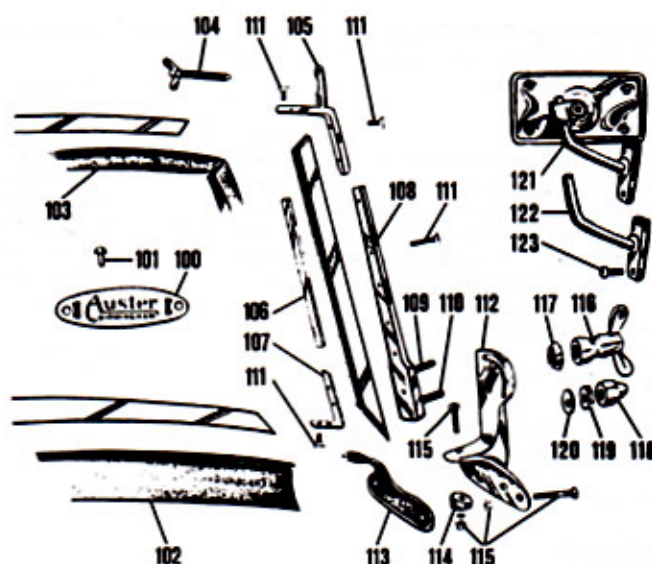
60	WWP450	WIRE WHEEL, painted	5	48 spoke
	WWC450	WIRE WHEEL, chrome	5	
	WWP452	WIRE WHEEL, painted	5	60 spoke
	WWC452	WIRE WHEEL, chrome	5	
61	7H1805	SPOKE (standard), long-outer	80	48 spoke
	7H1805CP	SPOKE (Chrome), long-outer	80	
	17H8619	SPOKE (standard), long-outer	100	60 spoke
	17H8619CP	SPOKE (Chrome), long-outer	100	
62	7H1806	SPOKE (standard), short-inner	160	48 spoke
	7H1806CP	SPOKE (Chrome), short-inner	160	
	17H8620	SPOKE (standard), short-inner	200	60 spoke
	17H8620CP	SPOKE (Chrome), short-inner	200	
63	7H1709	NIPPLE (standard)	a/r	
	7H1709CP	NIPPLE (Chrome)	a/r	
64	AHH7317A	WHEEL SPINNER, RH, 2-eared	4	with MG motif
	AHH7318A	WHEEL SPINNER, LH, 2-eared	4	
65	AHH7315A	WHEEL SPINNER, RH, octagonal	4	
	AHH7316A	WHEEL SPINNER, LH, octagonal	4	

Handles/Locks, ID Plates & Miscellaneous Fittings

70	401-657	EXTERIOR HANDLE	2	
71	401-648	GASKET SET, exterior handle	1	2 gaskets
72	323-530	SCREW, handle securing	4	
73	401-200	DOOR LOCK, RH	1	includes cover & screws
	401-100	DOOR LOCK, LH	1	
74	401-250	COVER, RH door lock	1	
	401-150	COVER, LH door lock	1	
75	323-718	SCREW SET, door lock cover	1	4 screws
76	401-170	SHIM, door lock, 1/16"	a/r	
77	401-408	STRIKER PLATE & WEDGE	2	includes screws
78	AJD2246	MACHINE SCREW, striker securing	4	
79	323-530	WOOD SCREW, striker securing	4	
80	405-400	SOCKET, side screen, in door top	2	
81	AAA5154	PLATE, side screen mounting	4	
82	323-530	SCREW, side screen plate	12	
83	MB19331	NUT, side screen plate	4	
84	229-655	DOOR TOP ARMREST SET	1	chrome accessory
<i>Note: Additional door parts are listed on page 78</i>				
85	451-398	THRESHOLD PLATE SET (2 plates etched with 'The MG Car Company Ltd')	1pr	
86	408-710	CHASSIS ID PLATE	1	
87	408-730	BODY ID PLATE	1	
88	CRCP367	PATENT NUMBER PLATE	1	
89	408-760	'MADE IN ENGLAND' PLATE	1	
90	FAS3	SCREW, ID plate	a/r	
91	FAS4	NUT, ID plate screw	a/r	
92	AAA1651	SPRING COVER, steering column	1	
93	AAA1650	CAP, spring cover	1	
94	AAA192	CLAMP ASSEMBLY, column	1	includes nut, bolt & washer

Boot Rack (Factory Style)

95	244-600	BOOT RACK	1	chrome
	244-610	BOOT RACK	1	stainless steel



Ill. No	Part Number	Description	Qty. Req.	Details
---------	-------------	-------------	-----------	---------

Windscreen Components

100	CRCP329	'ALUSTER' NAME PLATE	1	
101	FAS1	RIVET, name plate securing	1	
102	280-290	STRIP, frame to cowl, rubber	1	
103	280-300	STRIP, glass to frame, rubber	1	
104	AAA5166	WING BOLT, hood to windscreen	2	
105	408-600	TOP CORNER BRACKET, LH	1	
	408-610	TOP CORNER BRACKET, RH	1	
106	408-630	THREADED STRIP, side windscreen	2	
107	408-620	BRACKET, bottom corner	2	
108	408-230	SIDE SUPPORT, LH	1	
	408-240	SIDE SUPPORT, RH	1	
109	408-285	STUD, upper, windscreen side support	2	
110	408-295	STUD, lower, windscreen side support	2	
111	323-918	SCREW SET, windscreen frame	1	26 screws
112		COWL BRACKET, LH	1	
		COWL BRACKET, RH	1	
113	281-188	PAD SET, bracket to cowl	1	2 rubber pads
114	408-250	SPACER, bracket to cowl	2	
115	323-898	SCREW SET, bracket to cowl	1	8 screws & nuts
116	225-400	WING NUT	2	
117	408-660	CONE SPACER, wing nut	2	
118	311-170	DOME NUT, side support	2	
119	311-180	LOCK NUT, dome nut	2	
120	408-650	'D' WASHER, lock nut	2	
121	407-350*	SIDE MIRROR, windscreen, RH	1	with bracket (TC style)
	407-347	MIRROR HEAD	1	TC type without medallion
	407-357	GLASS LENS	1	
122	407-400	BRACKET, for mirror, RH	1	
	407-500*	BRACKET, for mirror, LH	1	
123	AJD2246	SCREW	2	

*Note: Windscreen bracket will require drilling and tapping to mount the above mirrors.

*For an alternative bracket that doesn't require drilling, read on.

Easy Fit (Side) Mirror Bracket & Stem

The TA, TB, TC mirror bracket was attached to the windscreen by two screws and, if you wanted to fit the same optional mirror to the passenger side of the windscreen on TD and TF models, then holes had to be drilled and tapped in the windscreen frame.

Our new style of bracket (supplied with dome nut, taper & flat washers) is suitable for right or left hand installation, fitting directly into the securing slot of the windscreen when in the lowered position.

Now you can put down that electric drill and stop trembling because no drilling is required! Moreover, the bracket is not a permanent fitment. Using the 407-347 mirror head, excellent rear visibility is offered - even when the high mount luggage rack is installed.

407-488	BRACKET KIT (side mirror)	a/r
	(fits left or right hand side of windscreen)	

Number Plates (Pressed)

These items are identical to those used on cars in the 1940's, '50s and '60s. We supply these pressed plates with up to 7 letters or numbers of your choice.

Available to special order only, please call your local Moss branch for full details.

NI	NP1	Pressed Number Plates	a/r
----	-----	-----------------------	-----